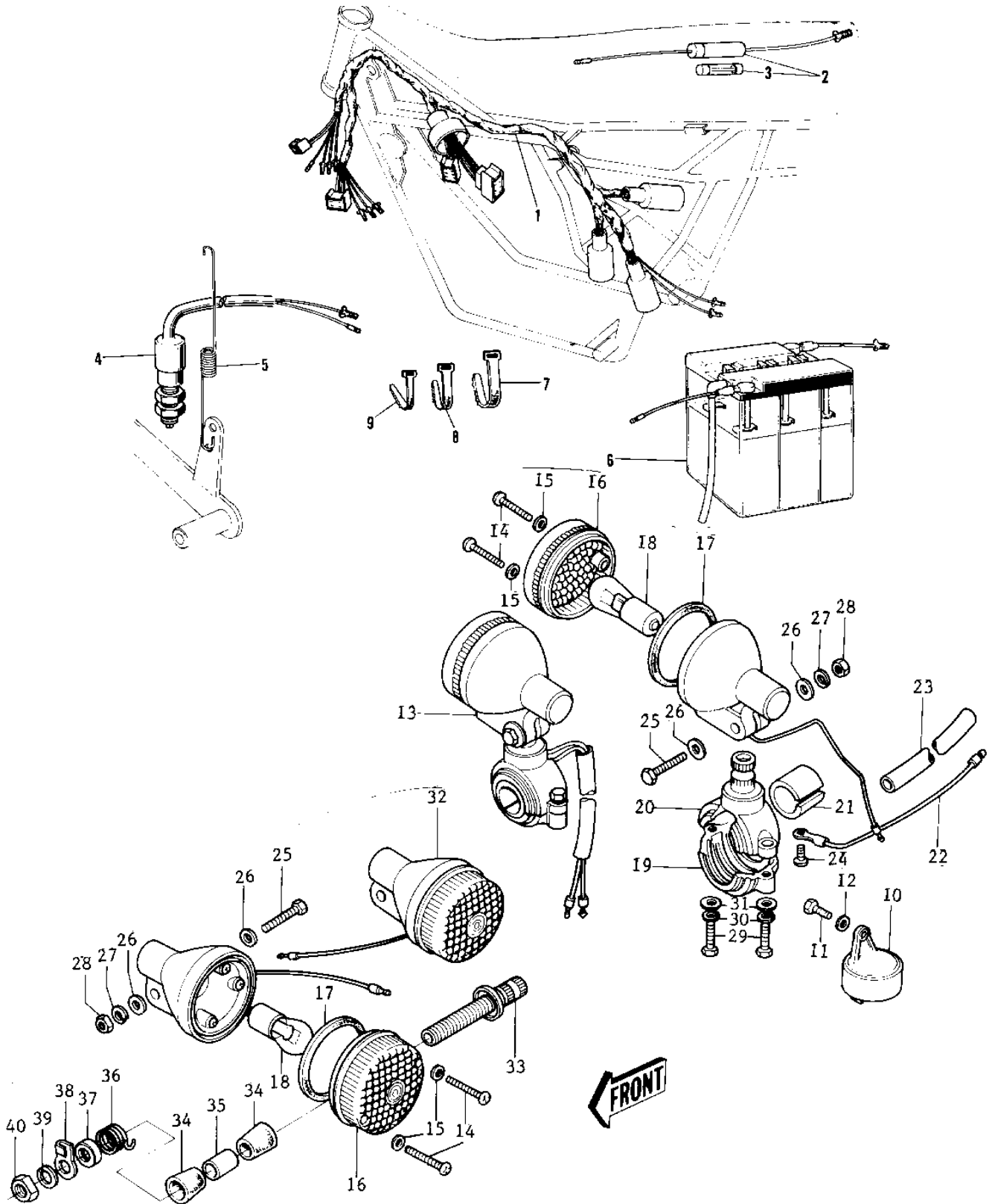


1975 G5-C PARTS DIAGRAM

TURN SIGNALS/CHASSIS ELECTRICAL EQUIPMEN



1975 G5-C PARTS LIST

TURN SIGNALS/CHASSIS ELECTRICAL EQUIPMEN

ITEM NAME	PART NUMBER	QUANTITY
WIRING HARNESS-MAIN (Ref # 1)	26001-063	
FUES ASSY (Ref # 2)	26004-008	
FUSE 10A (Ref # 3)	26006-003	
SWITCH-BRAKE LAMP (Ref # 4)	27010-015	
SPRING-BRAKE LAMP SW (Ref # 5)	27011-011	
YUA BAT 6N4-2A-3 (Ref # 6)	K26012-006	
BAND,SHORT (Ref # 7)	92072-030	
BAND,MIDDLE (Ref # 8)	92072-031	
BAND,LONG (Ref # 9)	92072-032	
RELAY-TURN SIGNAL (Ref # 10)	27002-015	
BOLT-UPSET 6X14 (Ref # 11)	112B0614	
BOLT-UPSET 6X14 (Ref # 11)	112B0614	
WASHER 6.5X20X1.6T (Ref # 12)	92022-125	
LAMP ASY-FR TURN SIG (Ref # 13)	23037-005	
SCREW-PAN HEAD,4X20 (Ref # 14)	220E0420A	
WASHER-PLAIN,4MM (Ref # 15)	23058-002	
LENS,TURN SIGNAL LAMP (Ref # 16)	23048-1001	
GASKET-SIG LAMP LENS (Ref # 17)	23050-003	
BULB,6V 21CP (Ref # 18)	92069-056	
BRACKET,SIGNAL LAMP (Ref # 19)	23051-1013	
BRACKET,FRNT TURN SIG (Ref # 20)	23051-1004	
DAMPER RUBBER (Ref # 21)	23066-003	
WIRE-TURN SIGNAL LEAD (Ref # 22)	26011-061	
COVER-WIRING HARNESS (Ref # 23)	26009-004	
SCREW PAN HEAD 3X5 (Ref # 24)	220B0305A	
BOLT-UPSET (Ref # 25)	112G0630	
WASHER PLAIN 6MM (Ref # 26)	410B0600	
WASHER SPRING 6MM (Ref # 27)	461F0600	
NUT 6MM (Ref # 28)	311B0600	

1975 G5-C PARTS LIST

TURN SIGNALS/CHASSIS ELECTRICAL EQUIPMEN

ITEM NAME	PART NUMBER	QUANTITY
BOLT (Ref # 29)	110N0516	
WASHER SPRING 5MM (Ref # 30)	461F0500	
WASHER-PLAIN,5MM (Ref # 31)	410D0500	
LAMP-REAR TURN SIGNAL (Ref # 32)	23040-033	
BKT-RR SIGNAL LAMP (Ref # 33)	23051-037	
DAMPER RUBBER (Ref # 34)	92075-148	
COLLAR 12.7X17.3X30 (Ref # 35)	92027-168	
SPRING (Ref # 36)	92081-111	
WASHER CUP 12.5X35X4T (Ref # 37)	92022-235	
CLAMP-RR SIGNAL LAMP (Ref # 38)	92037-087	
WASHER SPRING 12MM (Ref # 39)	461F1200	
NUT-HEX-FINE,12MM (Ref # 40)	315B1200	