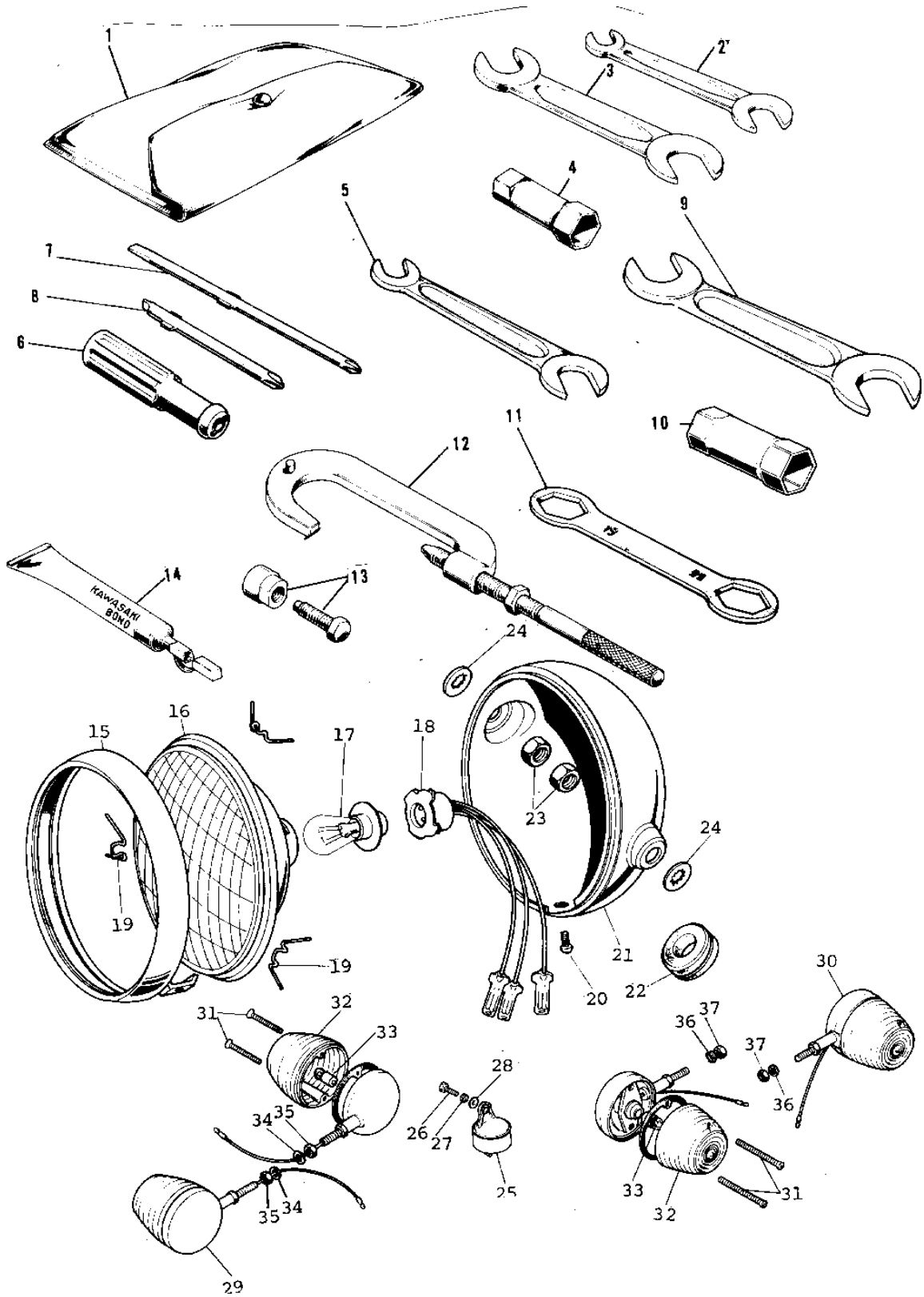


1972 G5 PARTS DIAGRAM

OWNER TOOLS/OPTIONAL PARTS (72-'73 G5-A)



1972 G5 PARTS LIST

OWNER TOOLS/OPTIONAL PARTS ('72-'73 G5-A)

ITEM NAME	PART NUMBER	QUANTITY
*** N.L.A.*** (Canada) (Ref # 1~8)	56007-019	1
UNAVAILABLE IN PRICE BOOK (Ref # 1,5~11)	56007-017	1
BAG,TOOL (Ref # 1)	56008-008	1
UNAVAILABLE IN PRICE BOOK (Ref # 2)	960B1013	1
*** N.L.A.*** (Canada) (Ref # 3)	960B1719	1
92110-012 (Canada) (Ref # 4)	92110-003	1
*** N.L.A.*** (Canada) (Ref # 5)	960B1014	1
92106-1001 (Canada) (Ref # 6)	92106-002	1
TOOL-DRIVER (Ref # 7)	92107-1052	1
SCREW DRIVER #3 PHLIP (Ref # 8)	92107-005	1
UNAVAILABLE IN PRICE BOOK (Ref # 9)	960B1317	1
UNAVAILABLE IN PRICE BOOK (Ref # 10)	92110-006	1
WRENCH-BOX,19X22 (Ref # 11)	92109-004	1
57001-1243 (Canada) (Ref # 12)	56019-040	1
57001-252 (Canada) (Ref # 13)	56019-033	1
LIQUID GASKET (Ref # 14)	92104-002	1
LAMP UNIT-HEAD (Ref # 15~20)	23004-023	1
RIM,HEAD LAMP (Ref # 15)	23006-043	1
LENS UNIT-HEAD LAMP (Ref # 16)	23007-010	1
BULB 6V 25/25W (Ref # 17)	92069-031	1
SOCKET HEAD LAMP (Ref # 18)	23008-009	1
CLAMP,HEAD LAMP LENS (Ref # 19)	23009-014	3
SCREW OVL CNTSNK 5X8 (Ref # 20)	222E0508A	1
BODY,HD LIGHT,FL BLCK (Ref # 21)	23005-1006-21	1
GROMMET WIRING HARNES (Ref # 22)	23023-007	2
NUT 10MM (Ref # 23)	92016-027	2
WASHER LOCK 10MM (Ref # 24)	463H1000	2
RELAY-TURN SIGNAL (Ref # 25)	27002-009	1
BOLT-UPSET 6X14 (Ref # 26)	112B0614	1

1972 G5 PARTS LIST

OWNER TOOLS/OPTIONAL PARTS ('72-'73 G5-A)

ITEM NAME	PART NUMBER	QUANTITY
BOLT-UPSET 6X14 (Ref # 26)	112B0614	AL
WASHER SPRING 6MM (Ref # 27)	461F0600	1
WASHER 6.5X20X1.6T (Ref # 28)	92022-125	1
LAMP-FRNT TURN SIGNAL (Ref # 29)	23040-031	2
CASE LH FRT TURN SIG (Ref # 30)	23043-027	2
SCREW OVL CNTSNK 3X15 (Ref # 31)	222B0315A	8
LENS TURN SIGNAL LAMP (Ref # 32)	23048-011	4
BULB,6V 8W (Ref # 33)	92069-042	4
WASHER PLAIN 10MM (Ref # 34)	410B1000	2
NUT,10MM (Ref # 35)	315N1000	2
WASHER SPRING 10MM (Ref # 36)	461F1000	2
NUT 10MM (Ref # 37)	315B1000	2