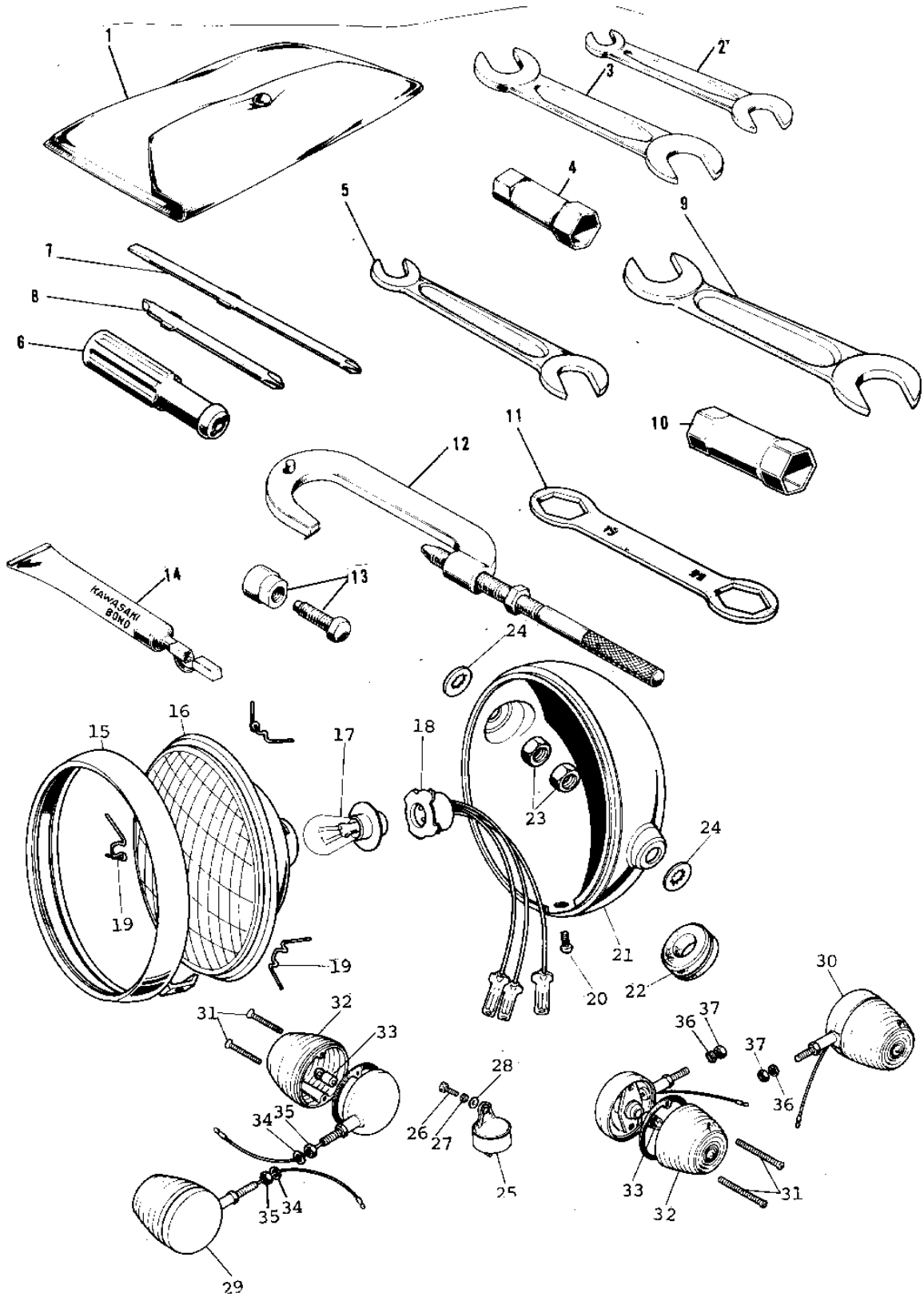


# 1973 G5-A PARTS DIAGRAM

OWNER TOOLS/OPTIONAL PARTS (72-'73 G5-A)



# 1973 G5-A PARTS LIST

OWNER TOOLS/OPTIONAL PARTS ('72-'73 G5-A

ITEM NAME	PART NUMBER	QUANTITY
*** N.L.A.*** (Canada) (Ref # 1~8)	56007-019	
UNAVAILABLE IN PRICE BOOK (Ref # 1,5~11)	56007-017	
BAG,TOOL (Ref # 1)	56008-008	
UNAVAILABLE IN PRICE BOOK (Ref # 2)	960B1013	
*** N.L.A.*** (Canada) (Ref # 3)	960B1719	
92110-012 (Canada) (Ref # 4)	92110-003	
*** N.L.A.*** (Canada) (Ref # 5)	960B1014	
92106-1001 (Canada) (Ref # 6)	92106-002	
TOOL-DRIVER (Ref # 7)	92107-1052	
SCREW DRIVER #3 PHLIP (Ref # 8)	92107-005	
UNAVAILABLE IN PRICE BOOK (Ref # 9)	960B1317	
UNAVAILABLE IN PRICE BOOK (Ref # 10)	92110-006	
WRENCH-BOX,19X22 (Ref # 11)	92109-004	
57001-1243 (Canada) (Ref # 12)	56019-040	
57001-252 (Canada) (Ref # 13)	56019-033	
LIQUID GASKET (Ref # 14)	92104-002	
LAMP UNIT-HEAD (Ref # 15~20)	23004-023	
RIM,HEAD LAMP (Ref # 15)	23006-043	
LENS UNIT-HEAD LAMP (Ref # 16)	23007-010	
BULB 6V 25/25W (Ref # 17)	92069-031	
SOCKET HEAD LAMP (Ref # 18)	23008-009	
CLAMP,HEAD LAMP LENS (Ref # 19)	23009-014	
SCREW OVL CNTSNK 5X8 (Ref # 20)	222E0508A	
BODY,HD LIGHT,FL BLCK (Ref # 21)	23005-1006-21	
GROMMET WIRING HARNES (Ref # 22)	23023-007	
NUT 10MM (Ref # 23)	92016-027	
WASHER LOCK 10MM (Ref # 24)	463H1000	
RELAY-TURN SIGNAL (Ref # 25)	27002-009	
BOLT-UPSET 6X14 (Ref # 26)	112B0614	

## 1973 G5-A PARTS LIST

OWNER TOOLS/OPTIONAL PARTS ('72-'73 G5-A)

ITEM NAME	PART NUMBER	QUANTITY
BOLT-UPSET 6X14 (Ref # 26)	112B0614	
WASHER SPRING 6MM (Ref # 27)	461F0600	
WASHER 6.5X20X1.6T (Ref # 28)	92022-125	
LAMP-FRNT TURN SIGNAL (Ref # 29)	23040-031	
CASE LH FRT TURN SIG (Ref # 30)	23043-027	
SCREW OVL CNTSNK 3X15 (Ref # 31)	222B0315A	
LENS TURN SIGNAL LAMP (Ref # 32)	23048-011	
BULB,6V 8W (Ref # 33)	92069-042	
WASHER PLAIN 10MM (Ref # 34)	410B1000	
NUT,10MM (Ref # 35)	315N1000	
WASHER SPRING 10MM (Ref # 36)	461F1000	
NUT 10MM (Ref # 37)	315B1000	