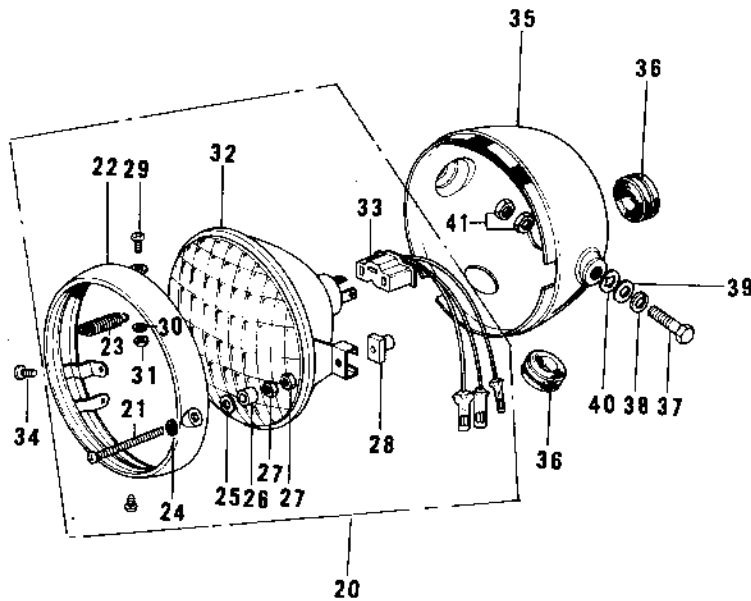
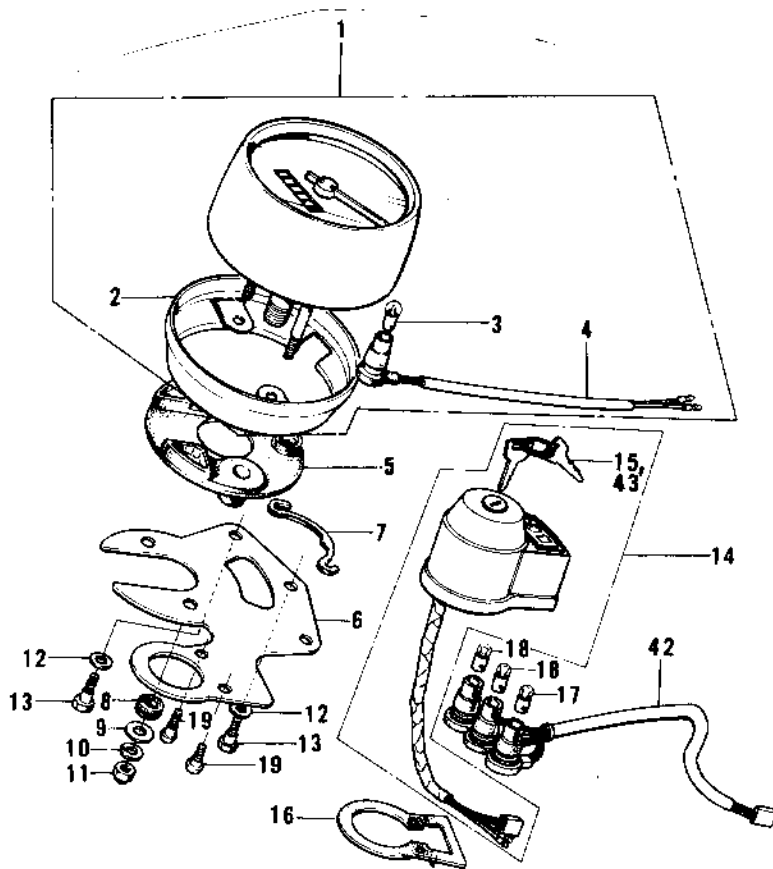


1972 G5 PARTS DIAGRAM

METERS/HEADLIGHT ('74-'75 B/C)



Ref. No.	Part No.
1	
2	
3	
4	
5	
6	
7	
8	
9	
10	
11	
12	
13	
14	
15	
16	
17	
18	
19	
20	
21	
22	
23	
24	
25	
26	
27	
28	
29	
30	
31	
32	
33	
34	
35	
36	
37	
38	
39	
40	
41	
42	
43	

1972 G5 PARTS LIST

METERS/HEADLIGHT ('74-'75 B/C)

ITEM NAME	PART NUMBER	QUANTITY
SPEEDOMETER ASSY,MPH (Ref # 1)	25005-095	1
COVER,SPEEDOMETER (Ref # 2)	25012-016	1
BULB-6V 3W (Ref # 3)	92069-053	1
BULB 6V 1.5W (Ref # 3)	92069-024	1
SOCKET,SPEEDOMETER (Ref # 4)	25010-014	1
SHOCK DAMPER,METER (Ref # 5)	25019-018	1
BRACKET,SPEEDOMETER (Ref # 6)	25008-031	1
DAMPER RUBBER-BRACKET (Ref # 7)	25019-007	1
DAMPER RUBBER,METER (Ref # 8)	25019-019	2
WASHER PL 5.5X20X1.2 (Ref # 9)	92022-104	2
WASHER SPRING 5MM (Ref # 10)	461F0500	2
NUT-CAP,5MM (Ref # 11)	322N0500	2
WASHER PLAIN 8MM (Ref # 12)	410B0800	3
BOLT-HEX HEAD,6MM (Ref # 13)	92003-069	3
SWITCH ASSY,IGNITION (Ref # 14)	27005-067	1
SWITCH ASSY,IGNITION (Ref # 14)	27005-082	1
KEY SET,#401 (Ref # 15)	27008-063-01	1
KEY SET,#430 (Ref # 15)	27008-063-30	1
DAMPER RUBBER-SWITCH (Ref # 16)	27025-001	1
BULB-6V 3W (Ref # 17)	92069-053	1
BULB 6V 1.5W (Ref # 18)	92069-024	2
SCREW-PAN HEAD,6MM (Ref # 19)	92011-026	2
LAMP UNIT HEAD (Ref # 20)	23003-009	1
SCREW ADJUST (Ref # 21)	23019-013	1
RIM HEAD LAMP (Ref # 11)	23006-020	1
SPRING LENS FITTING (Ref # 23)	23014-008	2
WASHER-FOCUS ADJUST (Ref # 24)	23021-008	1
WASHER ADJUST (Ref # 25)	23021-007	1
WASHER FITTING (Ref # 26)	23058-001	1

1972 G5 PARTS LIST

METERS/HEADLIGHT ('74-'75 B/C)

ITEM NAME	PART NUMBER	QUANTITY
NUT ADJUST (Ref # 27)	23020-013	2
NUT ADJUST (Ref # 28)	23020-012	1
SCREW FITTING (Ref # 29)	23019-014	2
WASHER SPRING 4MM (Ref # 30)	461F0400	2
NUT,4MM (Ref # 31)	311B0400	2
SEALED BEAM UNIT (Ref # 32)	23007-023	1
SOCKET ASSY,HD LIGHT (Ref # 33)	23008-044	1
SCREW OVL CNTSNK 5X8 (Ref # 34)	222E0508A	1
CASE-HEAD LAMP,BLACK (Ref # 35)	23005-021-21	1
BODY,HEAD LAMP,BLACK (Ref # 35)	23005-051-21	1
GROMMET WIRING HARNES (Ref # 36)	23023-007	2
GROMMET (Ref # 36)	23023-011	2
BOLT,HEX HEAD,10X25 (Ref # 37)	92007-045	2
WASHER SPRING 10MM (Ref # 38)	461F1000	2
WASHER PLAIN 10MM (Ref # 39)	411B1000	2
WASHER LOCK 10MM (Ref # 40)	463H1000	2
NUT 10MM (Ref # 41)	92016-027	2
SOCKET-IGNITION SW. (Ref # 42)	27024-001	1
KEY,BLANK (Ref # 43)	27008-1024	AR
KEY,BLANK (Ref # 43)	27008-1025	AR