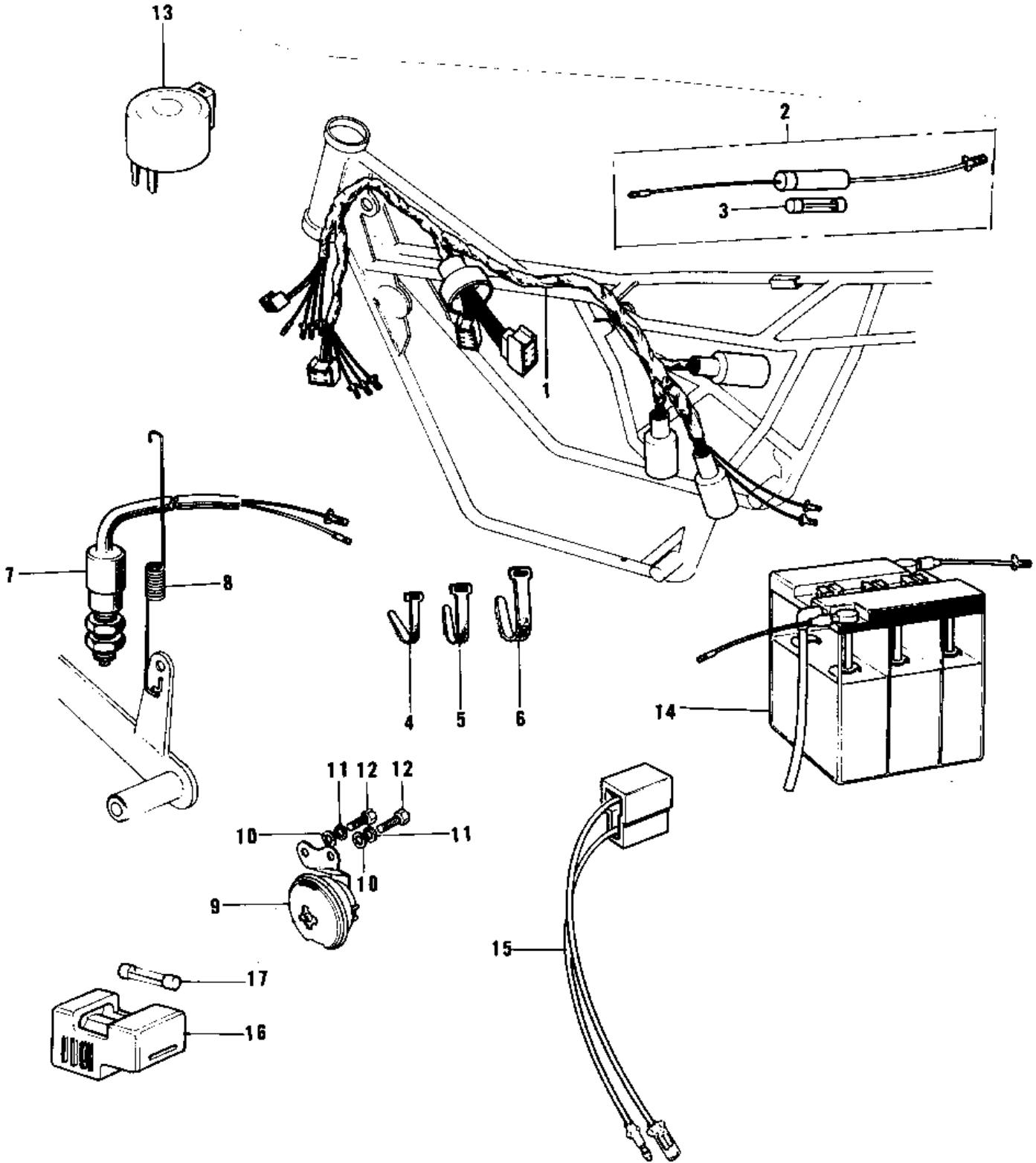


1974 G5-B PARTS DIAGRAM

CHASSIS ELECTRICAL EQUIPMENT ('74-'75 B/C)



1974 G5-B PARTS LIST

CHASSIS ELECTRICAL EQUIPMENT ('74-'75 B/C

ITEM NAME	PART NUMBER	QUANTITY
WIRING HARNESS-MAIN (Ref # 1)	26001-063	
FUES ASSY (Ref # 2)	26004-008	
FUSE 10A (Ref # 3)	26006-003	
BAND,SHORT (Ref # 4)	92072-030	
BAND,MIDDLE (Ref # 5)	92072-031	
BAND,LONG (Ref # 6)	92072-032	
SWITCH-BRAKE LAMP (Ref # 7)	27010-015	
SPRING-BRAKE LAMP SW (Ref # 8)	27011-011	
HORN (Ref # 9)	27003-059	
WASHER PLAIN 6MM (Ref # 10)	411B0600	
WASHER SPRING 6MM (Ref # 11)	461F0600	
BOLT-UPSET,6X12 (Ref # 12)	112G0612	
RELAY-TURN SIGNAL (Ref # 13)	27002-013	
YUA BAT 6N4-2A-5 (Ref # 14)	K26012-020	
WIRE,RECTIFIER LEAD (Ref # 15)	26011-074	
HOLDER,SPARE FUSE (Ref # 16)	26016-003	
FUSE 10A (Ref # 17)	26006-003	