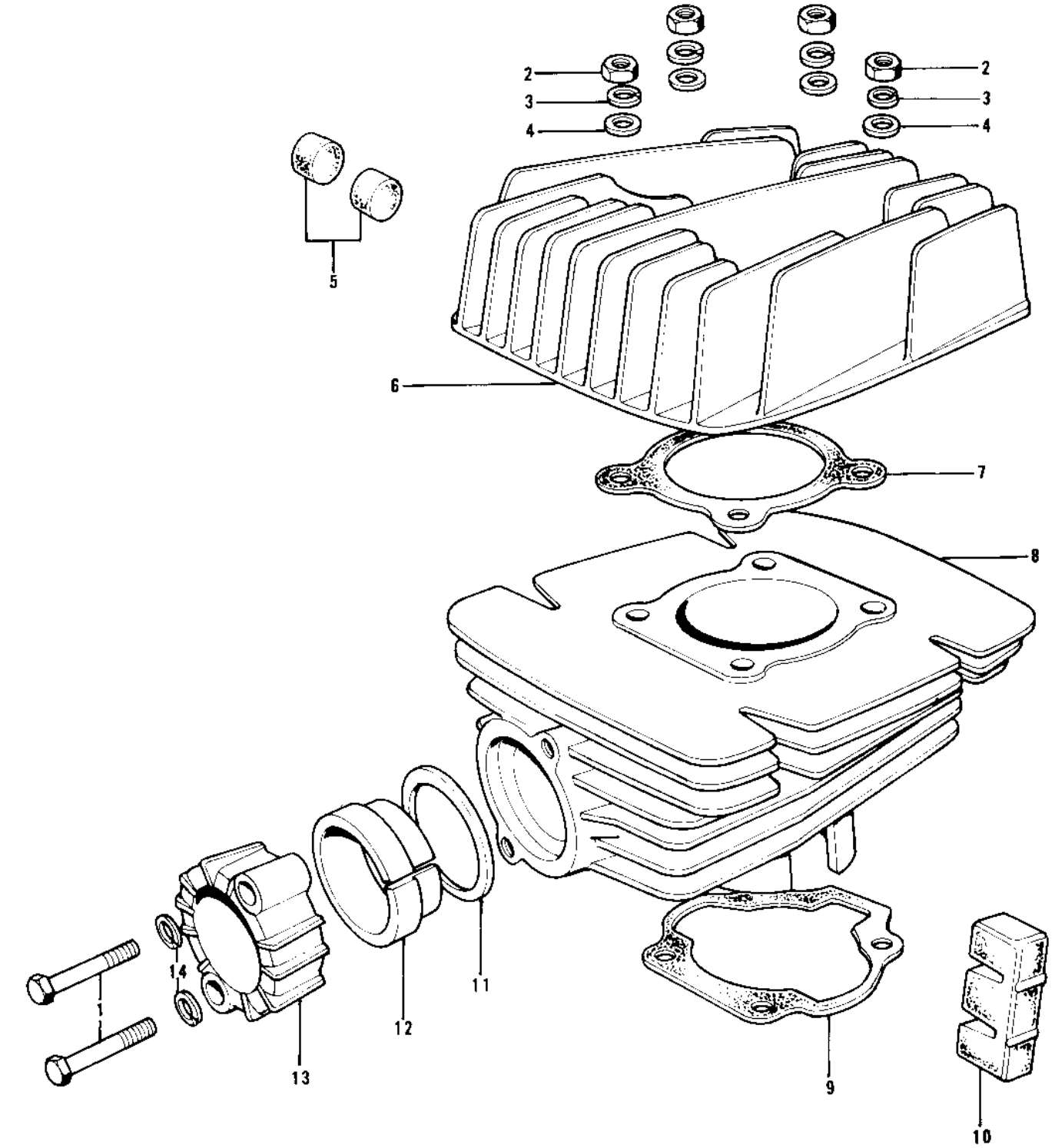


1976 KD100-M1 PARTS DIAGRAM

CYLINDER HEAD/CYLINDER



1976 KD100-M1 PARTS LIST

CYLINDER HEAD/CYLINDER

ITEM NAME	PART NUMBER	QUANTITY
-----------	-------------	----------