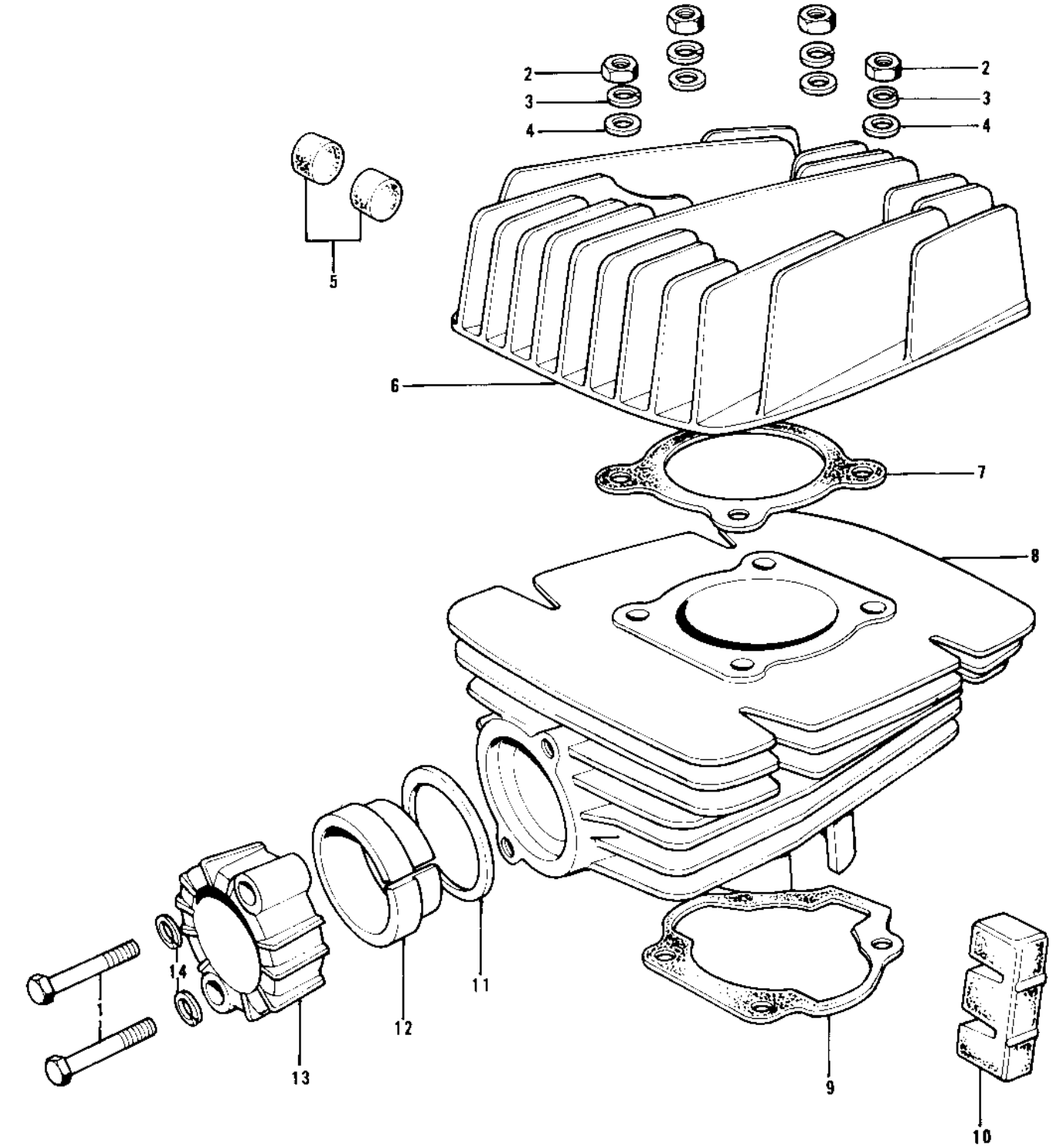


1978 KD100-M3 PARTS DIAGRAM

CYLINDER HEAD/CYLINDER



1978 KD100-M3 PARTS LIST

CYLINDER HEAD/CYLINDER

ITEM NAME	PART NUMBER	QUANTITY
BOLT-UPSET,6X35 (Ref # 1)	112G0635	
NUT,8MM (Ref # 2)	311B0800	
WASHER SPRING 8MM (Ref # 3)	461F0800	
WASHER PLAIN 8MM (Ref # 4)	410B0800	
DAMPER RUBBER-CYL HD (Ref # 5)	92075-117	
CYLINDER HEAD (Ref # 6)	11001-085	
GASKET CYLINDER HEAD (Ref # 7)	11004-033	
CYLINDER (Ref # 8)	11005-155	
GASKET,CYLINDER BASE (Ref # 9)	11060-1200	
DAMPER RUBBER-CYLINDER (Ref # 10)	92075-142	
GASKET,EXHAUST PIPE H (Ref # 11)	11009-1866	
INSERT-EXHAUST HOLDER (Ref # 12)	18070-005	
HOLDER,EX PIPE,BLACK (Ref # 13)	18069-035-21	
WASHER SPRING 6MM (Ref # 14)	461F0600	