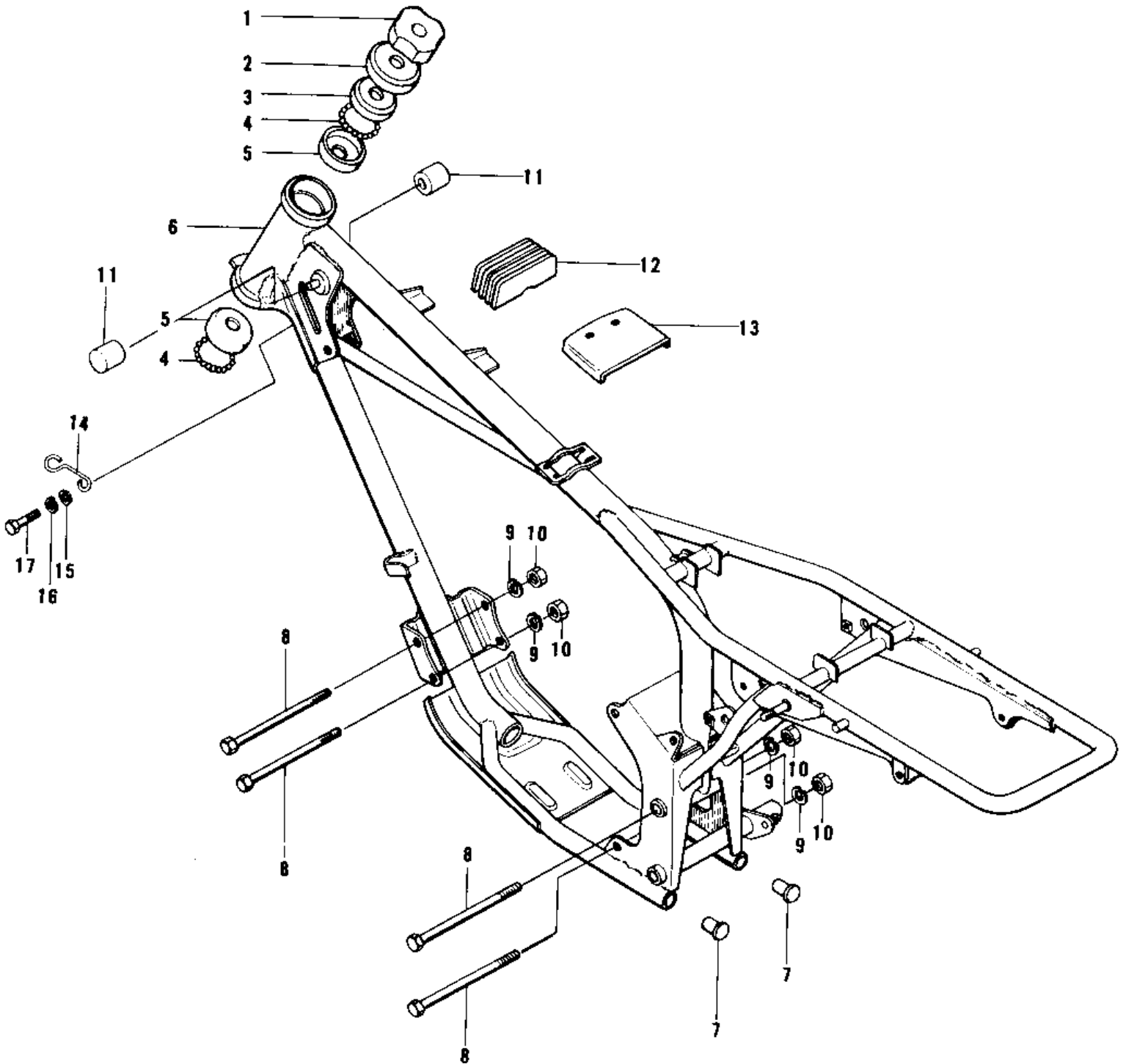


1978 KD100-M3 PARTS DIAGRAM

FRAME/FRAME FITTINGS



1978 KD100-M3 PARTS LIST

FRAME/FRAME FITTINGS

ITEM NAME	PART NUMBER	QUANTITY
NUT STEERING STEM LCK (Ref # 1)	92090-006	
LEVER STARTER (Ref # 2)	46096-004	
CONE UPPER BEARING (Ref # 3)	92047-005	
BALL STEEL 3/16' (Ref # 4)	600A0600	
RACE BEARING (Ref # 5)	92048-004	
FRAME (Ref # 6)	32002-110	
CAP PIPE END (Ref # 7)	32112-001	
BOLT,FLANGED,10X115 (Ref # 8)	92001-1603	
WASHER SPRING 10MM (Ref # 9)	461F1000	
NUT,10MM (Ref # 10)	314B1000	
DAMPER RUBBER (Ref # 11)	92075-044	
DAMPER RUBBER,FL TANK (Ref # 12)	92075-195	
DAMPER RUBBER,FL TANK (Ref # 13)	92075-230	
CLAMP,CABLE (Ref # 14)	92037-117	
WASHER PLAIN 6MM (Ref # 15)	411B0600	
WASHER SPRING 6MM (Ref # 16)	461F0600	
BOLT-UPSET,6X12 (Ref # 17)	112G0612	