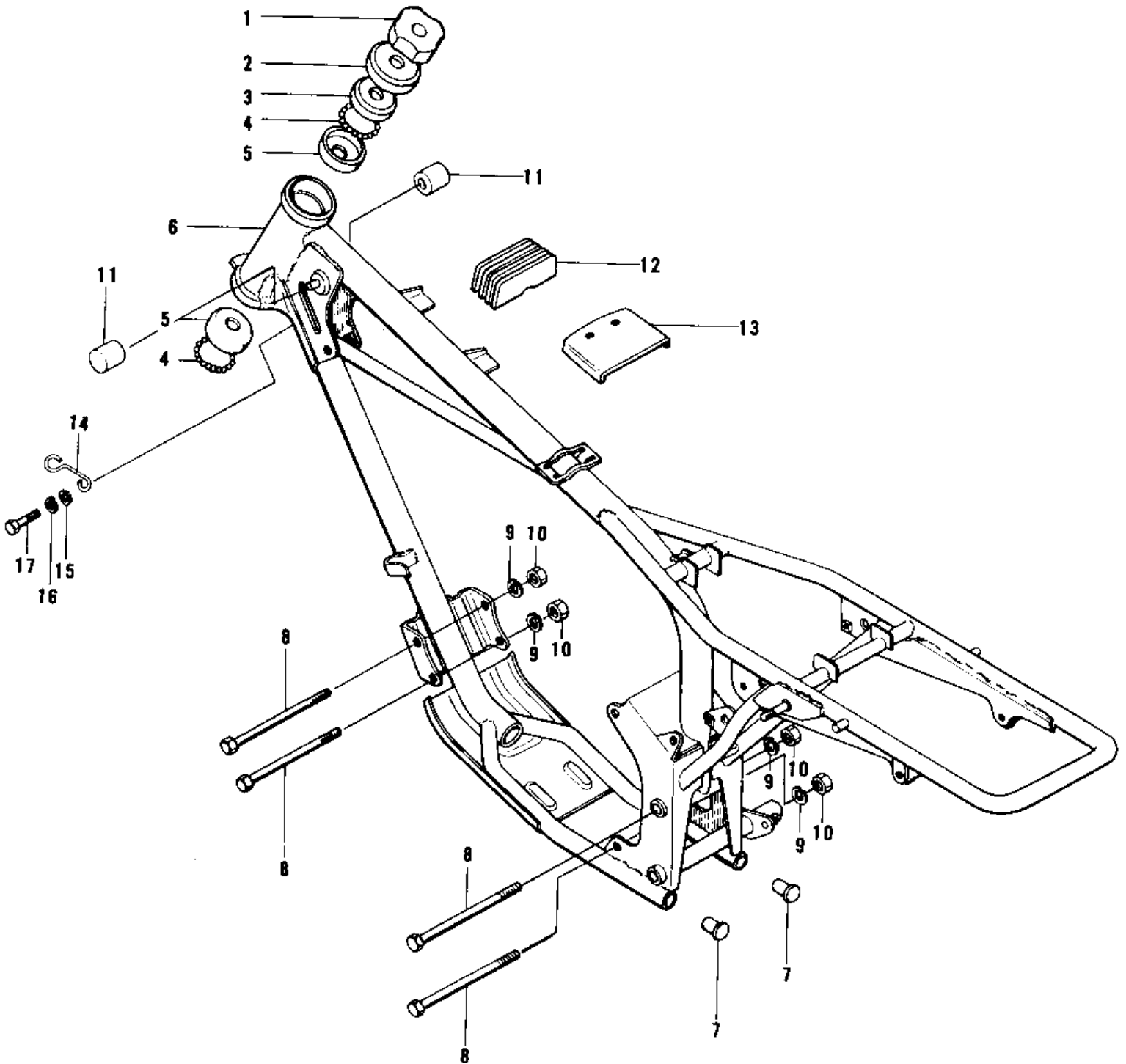


# 1979 KD100-M4 PARTS DIAGRAM

## FRAME/FRAME FITTINGS



## 1979 KD100-M4 PARTS LIST

### FRAME/FRAME FITTINGS

| ITEM NAME                        | PART NUMBER | QUANTITY |
|----------------------------------|-------------|----------|
| NUT STEERING STEM LCK (Ref # 1)  | 92090-006   |          |
| LEVER STARTER (Ref # 2)          | 46096-004   |          |
| CONE UPPER BEARING (Ref # 3)     | 92047-005   |          |
| BALL STEEL 3/16' (Ref # 4)       | 600A0600    |          |
| RACE BEARING (Ref # 5)           | 92048-004   |          |
| FRAME (Ref # 6)                  | 32002-110   |          |
| CAP PIPE END (Ref # 7)           | 32112-001   |          |
| BOLT,FLANGED,10X115 (Ref # 8)    | 92001-1603  |          |
| WASHER SPRING 10MM (Ref # 9)     | 461F1000    |          |
| NUT,10MM (Ref # 10)              | 314B1000    |          |
| DAMPER RUBBER (Ref # 11)         | 92075-044   |          |
| DAMPER RUBBER,FL TANK (Ref # 12) | 92075-195   |          |
| DAMPER RUBBER,FL TANK (Ref # 13) | 92075-230   |          |
| CLAMP,CABLE (Ref # 14)           | 92037-117   |          |
| WASHER PLAIN 6MM (Ref # 15)      | 411B0600    |          |
| WASHER SPRING 6MM (Ref # 16)     | 461F0600    |          |
| BOLT-UPSET,6X12 (Ref # 17)       | 112G0612    |          |