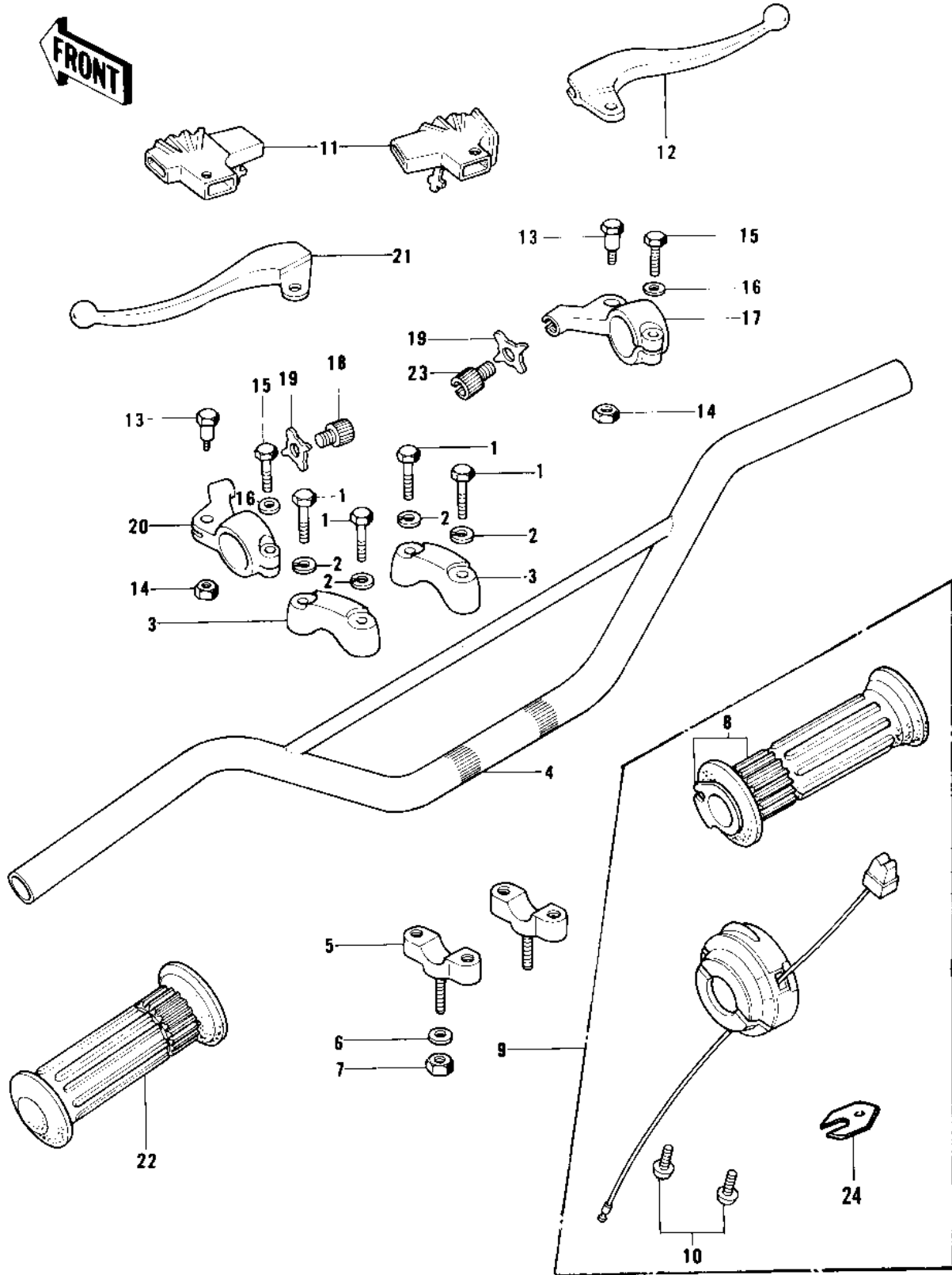


1978 KD100-M3 PARTS DIAGRAM

HANDLEBAR



1978 KD100-M3 PARTS LIST

HANDLEBAR

ITEM NAME	PART NUMBER	QUANTITY
BOLT 8X38 (Ref # 1)	92001-1405	
WASHER SPRING 8MM (Ref # 2)	461F0800	
HOLDER UPPER HANDLEBAR (Ref # 3)	46012-004	
HANDLEBAR (Ref # 4)	46004-024	
HOLDER,HANDLEBAR,BUFF (Ref # 5)	46012-002-80	
WASHER SPRING 10MM (Ref # 6)	461F1000	
NUT,10MM (Ref # 7)	314B1000	
GRIP ASSY,THROTTLE (Ref # 8)	46019-039	
CASE ASSY,R.H (Ref # 9)	46018-047	
SCREW-PAN-CROS,5X25 (Ref # 10)	220B0525	
BOOTS,LEVER HOLDER (Ref # 11)	49006-1017	
LEVER FRONT BRAKE (Ref # 12)	46058-004	
BOLT,HEX HEAD,5X22 (Ref # 13)	92007-046	
NUT-LOCK,5MM (Ref # 14)	92019-014	
BOLT, HEX HEAD 6X22 (Ref # 15)	110N0622	
BOLT HEX HEAD 6X25 (Ref # 15)	110N0625	
WASHER PLAIN 6MM (Ref # 16)	411B0600	
HOLDER-FR BRAKE LEVER (Ref # 17)	46060-006	
SCREW,CABLE ADJUST (Ref # 18)	46055-009	
SCREW CABLE ADJUST (Ref # 18)	46055-003	
NUT-LOCK (Ref # 19)	46056-005	
HOLDER,CLUTCH LEVER (Ref # 20)	46094-010	
HOLDER,CL LEVER,F.BLK (Ref # 20)	46094-015-21	
LEVER-CLUTCH (Ref # 21)	46092-015	
RUBBER,L.H GRIP (Ref # 22)	46075-029	
SCREW,CABLE ADJUST (Ref # 23)	46055-009	
SCREW,CABLE ADJUST (Ref # 23)	46055-010	
HOLDER,CONTROL (Ref # 24)	46037-024	