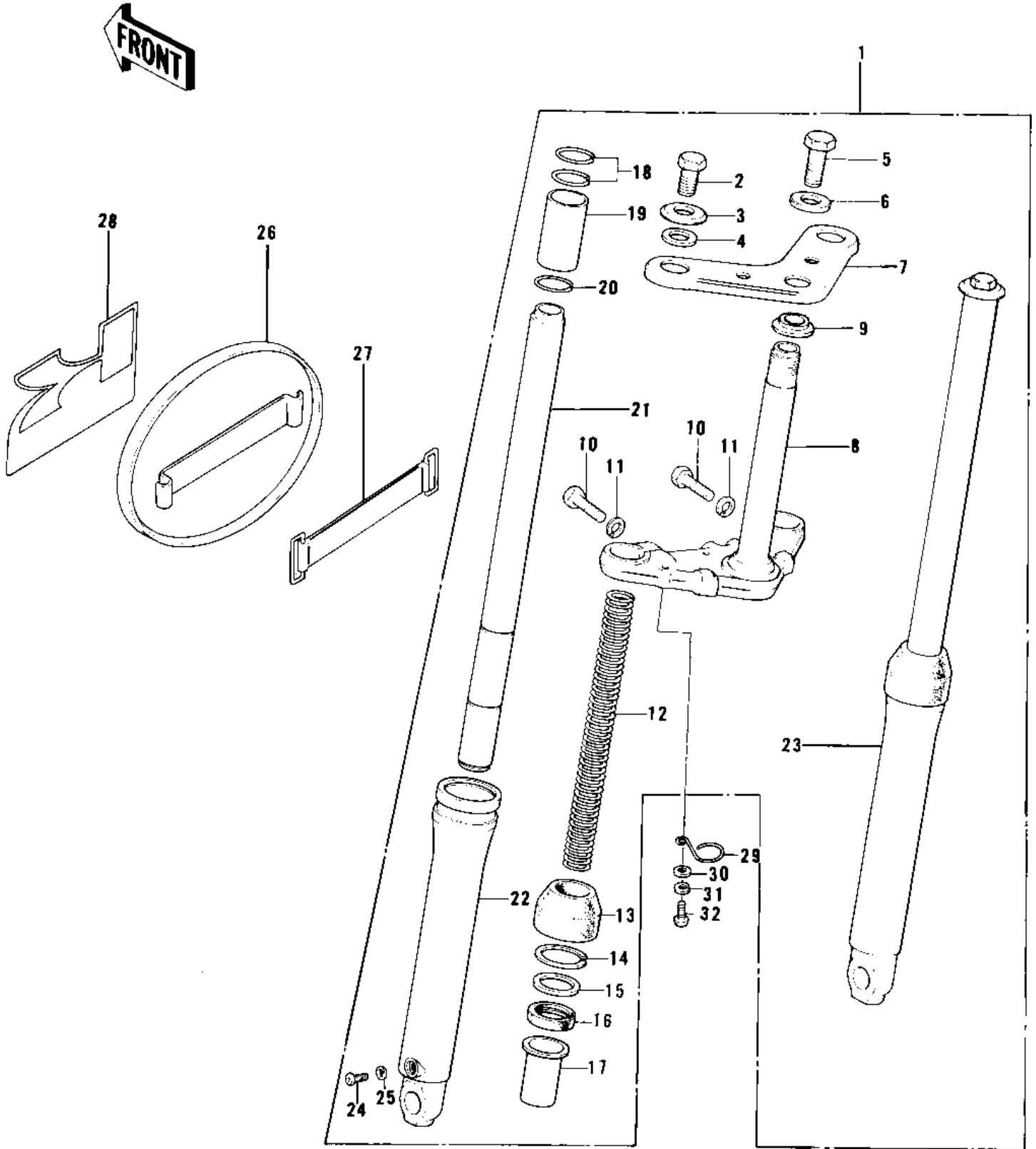


# 1979 KD100-M4 PARTS DIAGRAM

FRONT FORK



# 1979 KD100-M4 PARTS LIST

## FRONT FORK

ITEM NAME	PART NUMBER	QUANTITY
FORK-FRONT (Ref # 1)	44001-161	
BOLT (Ref # 2)	92001-1742	
WASHER (Ref # 3)	92022-1381	
GASKET,FORK TOP BOLT (Ref # 4)	44045-053	
BOLT,HEX HEAD 10X35 (Ref # 5)	92001-1252	
WASHER (Ref # 6)	92022-1381	
HEAD,STEERING (Ref # 7)	44039-056	
STEM,STEERING (Ref # 8)	44037-069	
CONE LOWER BEARING (Ref # 9)	92047-004	
BOLT,HEX HEAD 10X35 (Ref # 10)	92001-1252	
WASHER SPRING 10MM (Ref # 11)	461F1000	
SPRING,FORK INNER (Ref # 12)	44026-051	
DUST SHIELD,FORK (Ref # 13)	44010-024	
CIRCLIP,40MM (Ref # 14)	44044-016	
WASHER,FORK OUTER TUB (Ref # 15)	44043-054	
SEAL-OIL,OUTER TUBE (Ref # 16)	92049-1075	
GUIDE,FORK INNER TUBE (Ref # 17)	44015-016	
RING,INNER TUBE GUIDE (Ref # 18)	44020-003	
PISTON,FORK (Ref # 19)	44018-007	
CIRCLIP,FORK PISTON (Ref # 20)	44044-017	
TUBE,FORK INNER (Ref # 21)	44013-051	
TUBE,LH,FORK OUTER (Ref # 22)	44005-052	
TUBE,RH,FORK OUTER (Ref # 23)	44006-050	
SCREW PAN HEAD 4X6 (Ref # 24)	220B0406	
GASKET,FORK DRAIN PLG (Ref # 25)	44045-046	
PLATE,FRONT NUMBER (Ref # 26)	58029-025	
BAND BATTERY (Ref # 27)	92072-006	
EMBLEM,NUMBER PLATE (Ref # 28)	56018-243	
CLAMP-CABLE (Ref # 29)	92037-046	

# 1979 KD100-M4 PARTS LIST

## FRONT FORK

ITEM NAME	PART NUMBER	QUANTITY
WASHER PLAIN 6MM (Ref # 30)	411B0600	
WASHER SPRING 6MM (Ref # 31)	461F0600	
BOLT-UPSET,6X12 (Ref # 32)	112G0612	