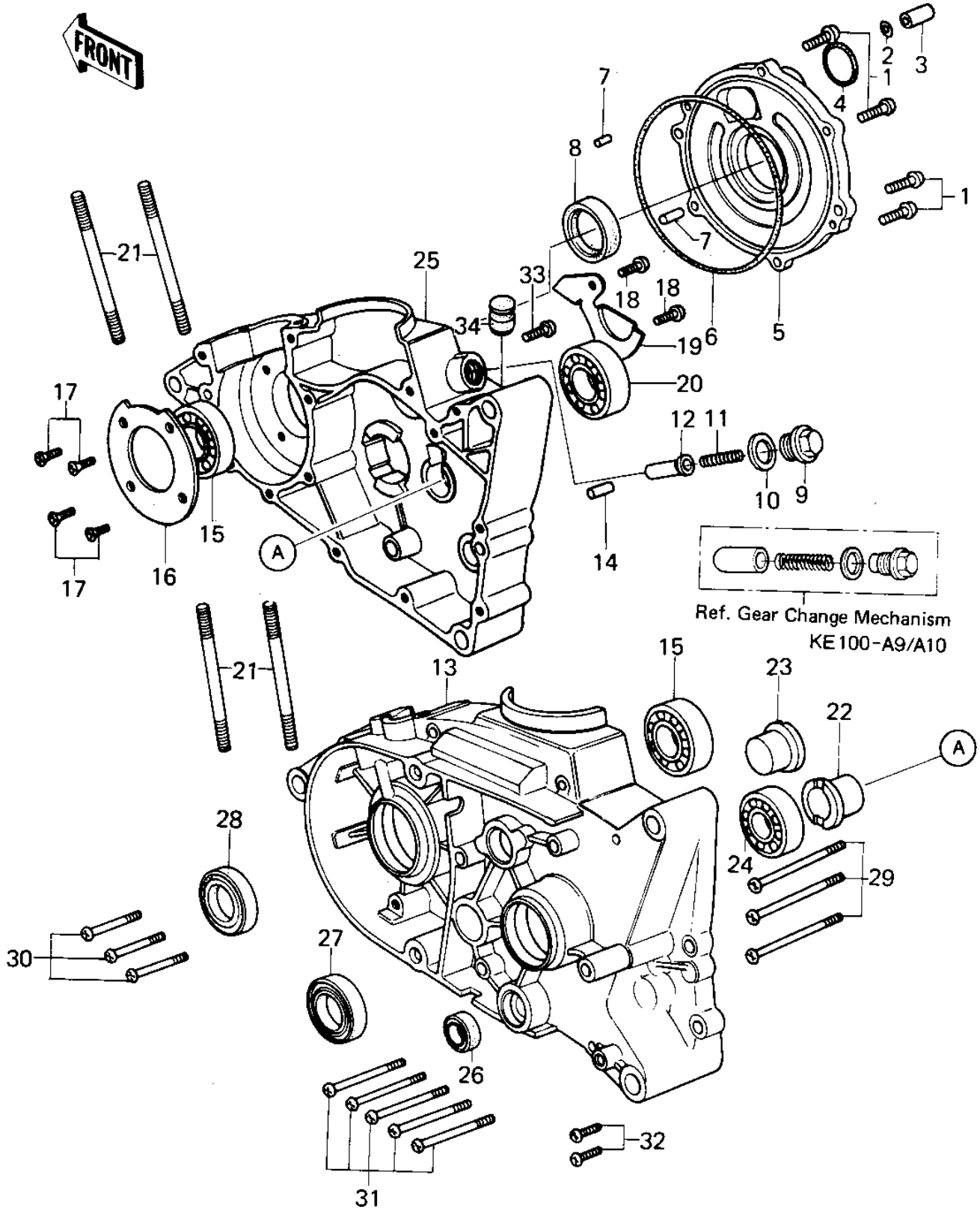


# 1979 KE100 PARTS DIAGRAM

CRANKCASE (KE100-A7/A8/A9/A10)



# 1979 KE100 PARTS LIST

CRANKCASE (KE100-A7/A8/A9/A10)

ITEM NAME	PART NUMBER	QUANTITY
SCREW PAN HEAD 6X20 (Ref # 1)	220B0620	
"0" RING,8MM (Ref # 2)	92055-029	
PIN DOWEL 8X16 (Ref # 3)	92042-017	
"0" RING,26MM (Ref # 4)	670B3026	
COVER,ROTRY DISC VALV (Ref # 5)	14019-056	
"0" RING,100MM (Ref # 6)	92055-010	
PIN DOWEL 5X12 (Ref # 7)	610A0512	
SEAL-OIL (Ref # 8)	92049-1250	
PLUG,NEUTRAL POSITION (Ref # 9)	92066-1004	
GASKET,NEUTRAL (Ref # 10)	11009-1003	
SPRING,NEUTRAL POSIT (Ref # 11)	92081-1050	
PIN (Ref # 12)	92043-085	
CRANKCASE,L.H,BLACK (Ref # 13)	14002-090-21	
CRANK CASE,RH (Ref # 13)	14002-1074	
PIN DOWEL 8X16 (Ref # 14)	551A0816	
BEARING BALL #6204 (Ref # 15)	601B6204	
BEARING-BALL,#6204 (Ref # 15)	92045-1032	
HOLDER CRANKSHAFT BRG (Ref # 16)	14014-017	
SCREW CNTSNK HD 6X16 (Ref # 17)	221B0616	
SCREW PAN HEAD 6X12 (Ref # 18)	220B0612	
HOLDER BEARING MSSON (Ref # 19)	14014-008	
BEARING BALL #6005 (Ref # 20)	601B6005	
STUD 8X115 (Ref # 21)	172G08115	
BUSH DRIVE SHAFT (Ref # 22)	92028-069	
BUSH OUTPUT SHAFT (Ref # 23)	92028-025	
BEARING BALL #6004 (Ref # 24)	601B6004	
CRANKCASE,R.H.F.BLACK (Ref # 25)	14002-1011-21	
CRANKCASE,RH (Ref # 25)	14002-1210	
OIL SEAL SB12205 (Ref # 26)	92049-004	

## 1979 KE100 PARTS LIST

CRANKCASE (KE100-A7/A8/A9/A10)

ITEM NAME	PART NUMBER	QUANTITY
OIL SEAL SC25376 (Ref # 27)	92050-013	
SEAL-OIL (Ref # 28)	92049-1240	
SCREW PAN HEAD 6X65 (Ref # 29)	220B0665	
SCREW PAN HEAD 6X60 (Ref # 30)	220B0660	
SCREW PAN HEAD 6X40 (Ref # 31)	220B0640	
SCREW PAN HEAD 6X25 (Ref # 32)	220B0625	
SCREW PAN HEAD 6X20 (Ref # 33)	220B0620	
RUBBER PLUG (Ref # 34)	92074-035	