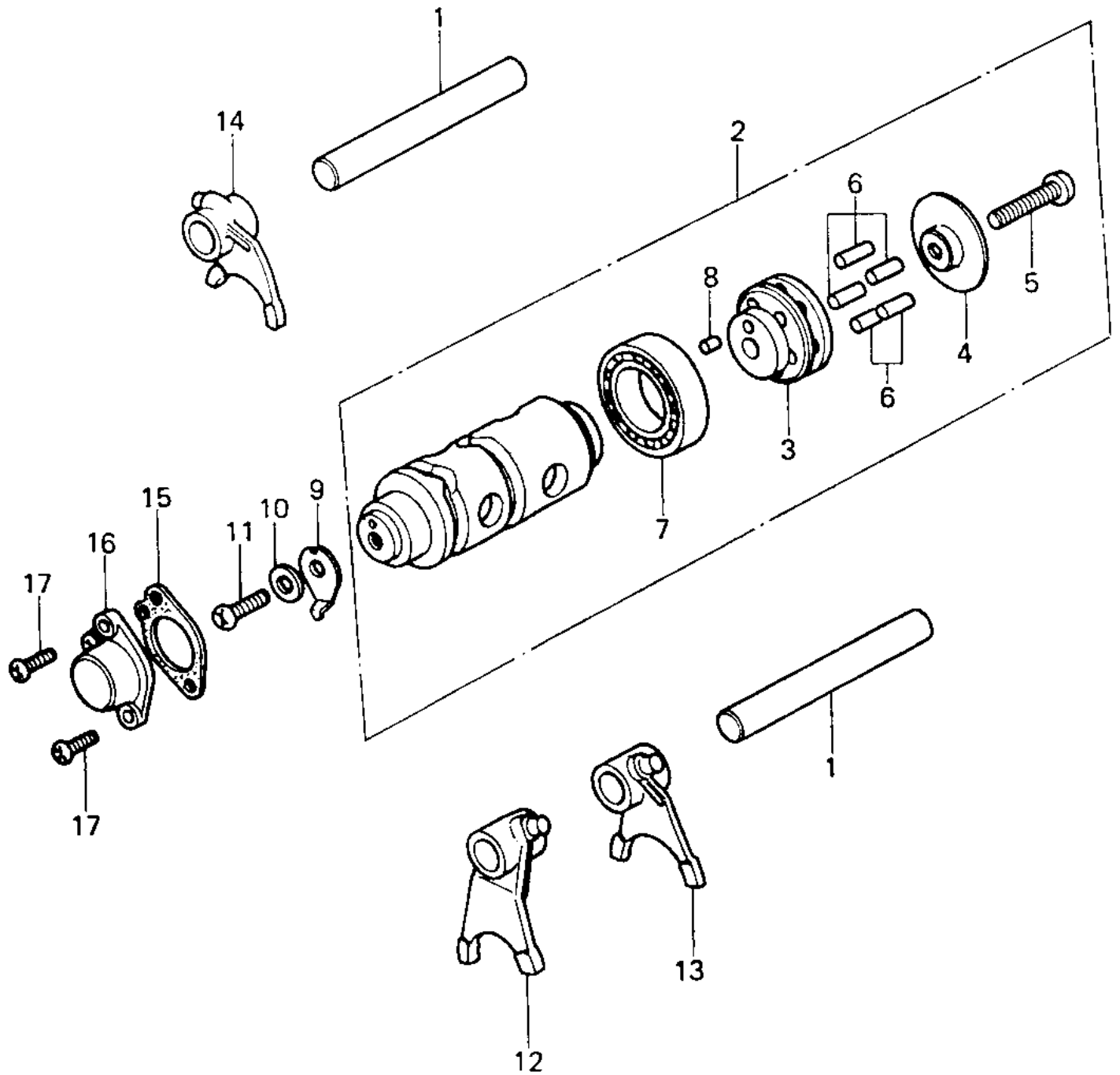


# 1981 KE100 PARTS DIAGRAM

GEAR CHANGE DRUM & FORKS (KE100-A9/A10)



# 1981 KE100 PARTS LIST

## GEAR CHANGE DRUM & FORKS (KE100-A9/A10)

ITEM NAME	PART NUMBER	QUANTITY
RODSHIFT,SHORT (Ref # 1)	13209-014	2
DRUM-ASSY-CHANGE (Ref # 2)	13239-5001	1
DRUM ASSY,GEAR CHANGE (Ref # 2)	13239-1034	1
HOLDER,GEAR CHANG DRM (Ref # 3)	13091-1059	1
HOLDER (Ref # 3)	13091-1077	1
PLATE CHANGE DRUM PIN (Ref # 4)	13142-008	1
HOLDER,CHANGE DRUM (Ref # 4)	13142-014	1
SCREW PAN HEAD 6X30 (Ref # 5)	220B0630	1
BOLT,SOCKET,6X30 (Ref # 5)	120P0630	1
PIN,GEAR CHANGE DRUM (Ref # 6)	92042-042	5
BEARING,BALL,#6905 (Ref # 7)	92045-036	1
BEARING BALL #6004 (Ref # 7)	601B6004	1
PIN-DOWEL,4X6 (Ref # 8)	610A0406	1
ROTOR,NEUTRAL INDICTR (Ref # 9)	21007-1003	1
WASHER PLAIN 6MM (Ref # 10)	410B0600	1
SCREW PAN HEAD 6X16 (Ref # 11)	220B0616	1
SHIFT FORK,LOW&2ND (Ref # 12)	13140-1026	1
SHIFT FORK,3RD (Ref # 13)	13140-1027	1
SHIFT FORK,4TH&TOP (Ref # 14)	13140-1028	1
GASKET NEUTRAL SWITCH (Ref # 15)	13146-002	1
SWITCH,NEUTRAL (Ref # 16)	13151-1002	1
SCREW PAN HEAD 6X16 (Ref # 17)	220B0616	2