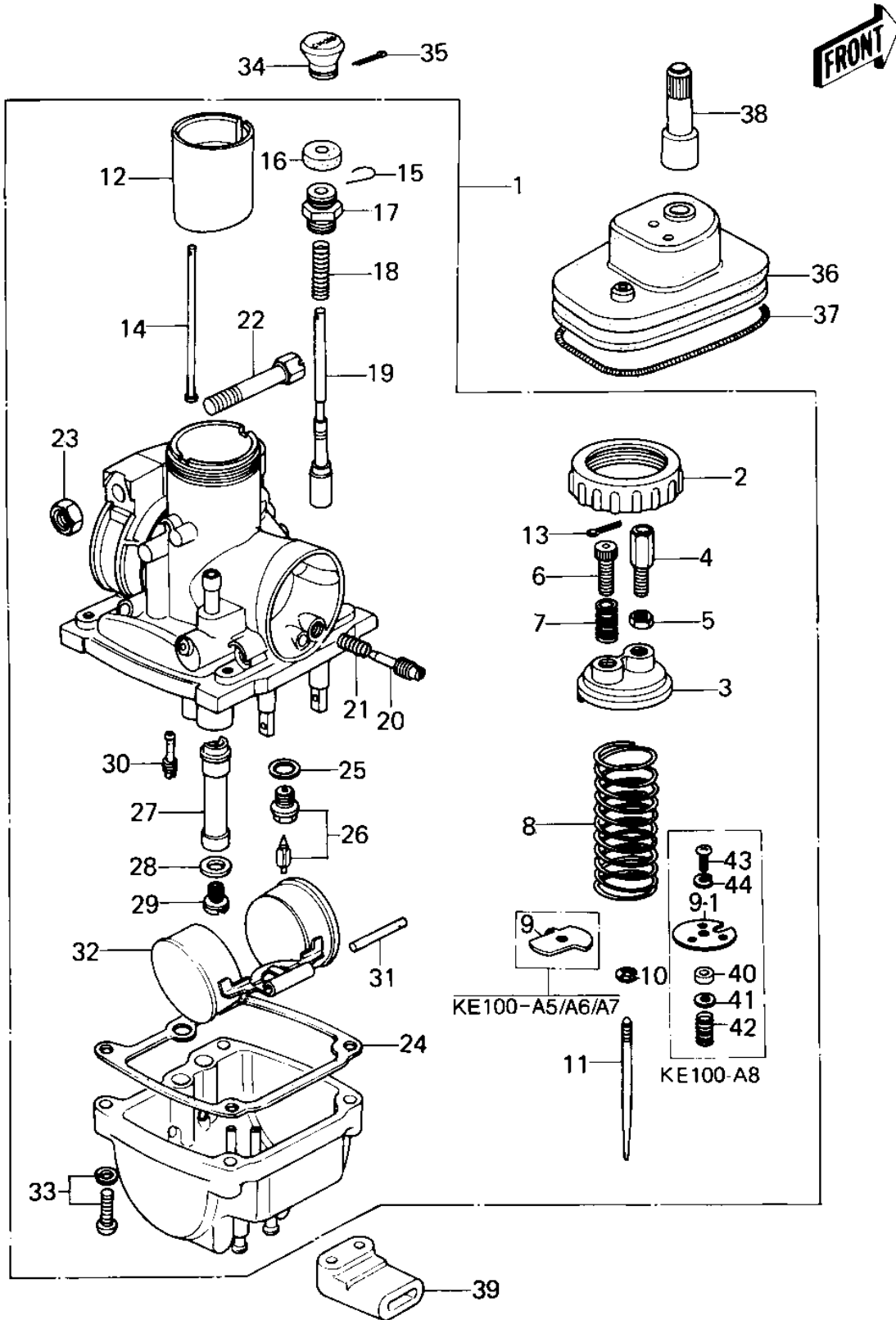


1979 KE100 PARTS DIAGRAM

CARBURETOR (KE100-A5/A6/A7/A8)



1979 KE100 PARTS LIST

CARBURETOR (KE100-A5/A6/A7/A8)

| ITEM NAME | PART NUMBER | QUANTITY |
|-----------------------------------|-------------|----------|
| CARBURETOR ASSY, (Ref # 1) | 16001-230 | |
| CARBURETOR ASSY (Ref # 1) | 16001-234 | |
| CARBURETOR ASSY (Ref # 1) | 16001-1042 | |
| CAP MIXING CHAMBER (Ref # 2) | 16004-010 | |
| TOP MIXING CHAMBER (Ref # 3) | 16005-005 | |
| ADJUSTER,CABLE (Ref # 4) | 16002-017 | |
| NUT CABLE ADJUST LOCK (Ref # 5) | 16003-004 | |
| SCREW,THROTTLE STOP (Ref # 6) | 16021-002 | |
| SPRING THR STOP SCREW (Ref # 7) | 16022-005 | |
| SPRING THROTTLE VALVE (Ref # 8) | 16006-013 | |
| SPRING SEAT,THRTL TL (Ref # 9) | 16007-020 | |
| SPRING SEAT,THROT VLV (Ref # 9-1) | 13169-1105 | |
| CIRCLIP (Ref # 10) | 16008-010 | |
| JET NEEDLE 4EJ7 (Ref # 11) | 16009-059 | |
| JET NEEDLE,4EJ12 (Ref # 11) | 16009-1012 | |
| VALVE,THROTTLE CA2.0 (Ref # 12) | 16025-057 | |
| VALV,THROTTLE,CA2.0 (Ref # 12) | 16025-1013 | |
| PIN COTTER 1.2X10 (Ref # 13) | 550D1210 | |
| ROD,THROTTLE VLV STP (Ref # 14) | 16024-012 | |
| CIRCLIP (Ref # 15) | 92037-1077 | |
| CIRCLIP (Ref # 15) | 92037-1077 | |
| CAP,STARTER PLUNGER (Ref # 16) | 16036-012 | |
| CAP,STARTER PLUNGER (Ref # 17) | 16012-021 | |
| SPRING,STARTER PLUNGR (Ref # 18) | 16013-010 | |
| PLUNGER,STARTER (Ref # 19) | 16016-012 | |
| SCREW PILOT AIR ADJST (Ref # 20) | 16014-002 | |
| SPRING-THR STOP SCREW (Ref # 21) | 16022-007 | |
| SCREW CLAMP (Ref # 22) | 16010-004 | |
| NUT 6MM (Ref # 23) | 311B0600 | |

1979 KE100 PARTS LIST

CARBURETOR (KE100-A5/A6/A7/A8)

| ITEM NAME | PART NUMBER | QUANTITY |
|----------------------------------|-------------|----------|
| NUT,6M/M (Ref # 23) | 92015-1026 | |
| GASKET,FLOAT CHAMBER (Ref # 24) | 16019-021 | |
| WASHER VALVE SEAT (Ref # 25) | 16029-002 | |
| FLOAT VALVE ASSY (Ref # 26) | 16030-001 | |
| NEEDLE JET O-Z (Ref # 27) | 16017-068 | |
| NEEDLE JET, 0-2 (Ref # 27) | 16017-1031 | |
| WASHER MAIN JET (Ref # 28) | 16034-001 | |
| MAIN JET NO 75R (Ref # 29) | 92063-109 | |
| MAIN JET,#77.5R (Ref # 29) | 92063-1032 | |
| MAIN JET,#70R (Ref # 29) | 92063-1012 | |
| MAIN JET NO 72.5R (Ref # 29) | 92063-108 | |
| MAIN JET, #A80 (Ref # 29) | 92063-1030 | |
| PILOT JET #17.5 ISO (Ref # 30) | 92064-020 | |
| PILOT JET,#A15 (Ref # 30) | 92064-1018 | |
| PILOT JET,#A15 (Ref # 30) | 92064-1018 | |
| FLOAT PIN (Ref # 31) | 16032-003 | |
| FLOAT (Ref # 32) | 16031-015 | |
| SCREW-FLOAT CHAMBER (Ref # 33) | 16033-012 | |
| KNOB,CARBURETOR (Ref # 34) | 92077-022 | |
| PIN COTTER 1.6X15 (Ref # 35) | 550D1615 | |
| CAP,CARBURETOR (Ref # 36) | 14038-035 | |
| SPRING COIL (Ref # 37) | 92081-047 | |
| PLUG,CARBURETOR CAP (Ref # 38) | 16147-001 | |
| GROMMET,OVER FLOW (Ref # 39) | 16136-007 | |
| RING,JET NEEDLE (Ref # 40) | 92027-1103 | |
| WASHER,THROTTLE VALVE (Ref # 41) | 92022-1024 | |
| SPRING,JET NEEDLE (Ref # 42) | 92081-1072 | |
| SCREW PAN HEAD 3X8 (Ref # 43) | 220B0308 | |
| WASHER SPRING 3MM (Ref # 44) | 461F0300 | |