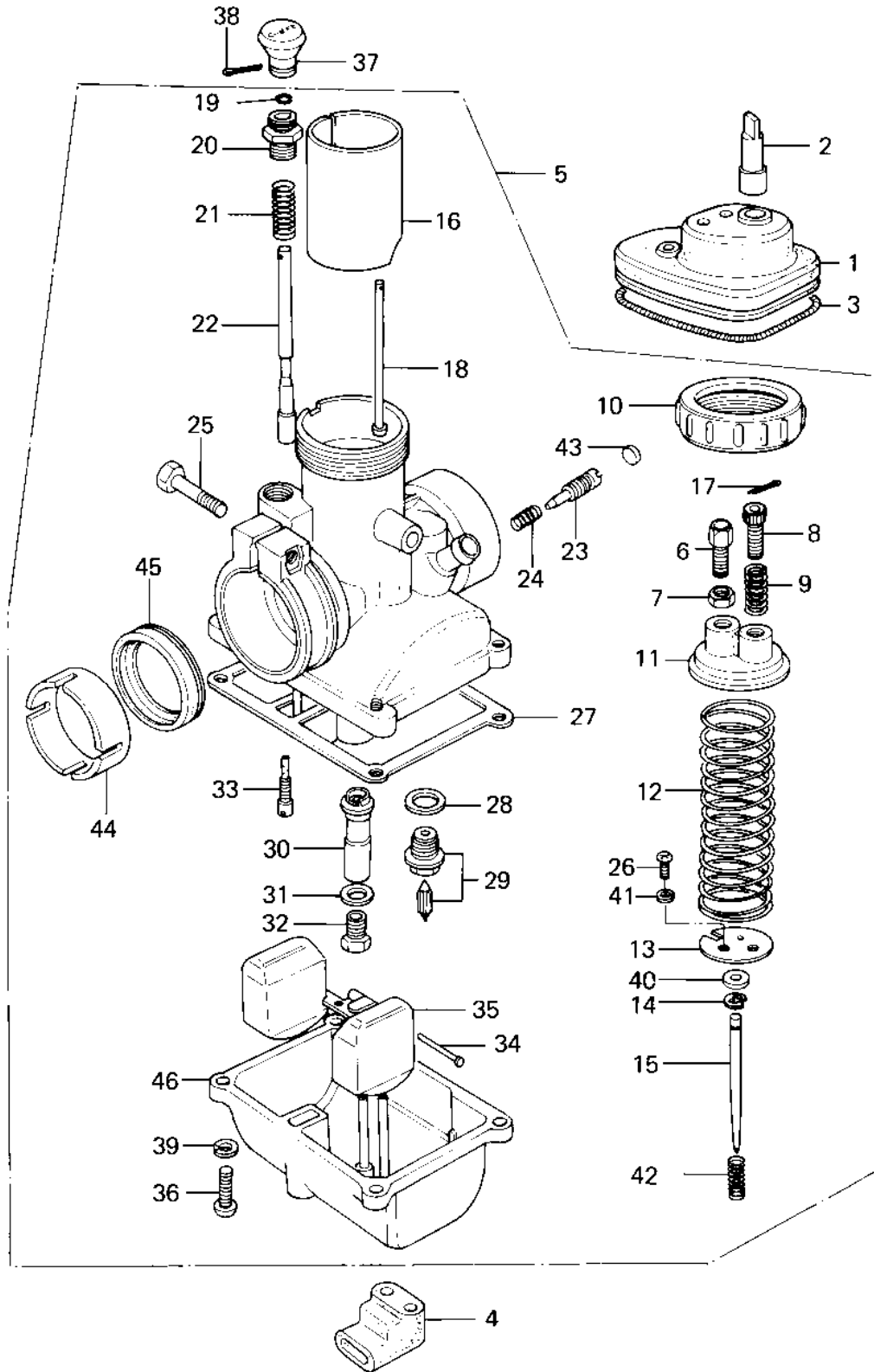


1977 KE100 PARTS DIAGRAM

CARBURETOR (KE100-A9/A10)

E1611-0048



1977 KE100 PARTS LIST

CARBURETOR (KE100-A9/A10)

| ITEM NAME | PART NUMBER | QUANTITY |
|----------------------------------|-------------|----------|
| CAP,CARBURETOR (Ref # 1) | 14038-035 | |
| PLUG,CARBURETOR CAP (Ref # 2) | 16147-001 | |
| SPRING COIL (Ref # 3) | 92081-047 | |
| GROMMET,OVERFLOW (Ref # 4) | 92071-1024 | |
| CARBURETOR ASSY (Ref # 5) | 16001-1185 | |
| CABLE ADJUSTER (Ref # 6) | 16002-1004 | |
| NUT,CABLE ADJSTR LOCK (Ref # 7) | 92015-1092 | |
| THROTTLE ADJUSTER (Ref # 8) | 16021-1021 | |
| SPRING,THROTTLE ADJST (Ref # 9) | 92081-1232 | |
| CAP,MIXING CHAMBER (Ref # 10) | 16004-1007 | |
| TOP,MIXING CHAMBER (Ref # 11) | 16005-1010 | |
| SPRING,THROTTLE VALVE (Ref # 12) | 92081-1234 | |
| SPRING SEAT,THR VALVE (Ref # 13) | 13169-1223 | |
| CIRCLIP (Ref # 14) | 92037-1167 | |
| JET NEEDLE,#4D21 (Ref # 15) | 16009-1043 | |
| VALVE,THROTTLE CA.3.0 (Ref # 16) | 16025-1036 | |
| PIN COTTER 1.2X10 (Ref # 17) | 550D1210 | |
| ROD,THR VALVE STOP (Ref # 18) | 46102-1014 | |
| CLAMP (Ref # 19) | 92037-1166 | |
| CAP,STARTER PLUNGER (Ref # 20) | 16012-1007 | |
| SPRING,STARTER PLUNGR (Ref # 21) | 92081-1233 | |
| PLUNGER,STARTER (Ref # 22) | 16016-1010 | |
| SCREW,PILOT AIR ADJST (Ref # 23) | 16014-1022 | |
| SPRING,PILOT AIR SCRW (Ref # 24) | 92081-1202 | |
| BOLT,CARB MOUNT (Ref # 25) | 92001-1304 | |
| SCREW PAN HEAD 3X8 (Ref # 26) | 220B0308 | |
| GASKET,FLOAT CHAMBER (Ref # 27) | 11009-1174 | |
| GASKET,FLOAT VALVE (Ref # 28) | 11009-1160 | |
| FLOAT VALVE ASSY (Ref # 29) | 16031-1010 | |

1977 KE100 PARTS LIST

CARBURETOR (KE100-A9/A10)

| ITEM NAME | PART NUMBER | QUANTITY |
|---------------------------------|-------------|----------|
| NEEDLE JET,#80 (Ref # 30) | 16017-1043 | |
| WASHER,PLAIN (Ref # 31) | 92022-1167 | |
| MAIN JET,#82 (Ref # 32) | 92063-1045 | |
| MAIN JET,#80 (Ref # 32) | 92063-1065 | |
| MAIN JET,#84 (Ref # 32) | 92063-1066 | |
| PILOT JET,#38 (Ref # 33) | 92064-1027 | |
| PIN (Ref # 34) | 92043-1066 | |
| FLOAT (Ref # 35) | 16031-1009 | |
| SCREW-PAN-CROS (Ref # 36) | 220B0414 | |
| KNOB,CARBURETOR (Ref # 37) | 92077-022 | |
| PIN COTTER 1.6X15 (Ref # 38) | 550D1615 | |
| WASHER SPRING 4MM (Ref # 39) | 461F0400 | |
| RING,JET NEEDLE (Ref # 40) | 92027-1236 | |
| WASHER SPRING 3MM (Ref # 41) | 461F0300 | |
| SPRING,JET NEEDLE (Ref # 42) | 92081-1203 | |
| PLUG,PILOT SCREW (Ref # 43) | 92066-1051 | |
| INSULATOR,CARBURETOR (Ref # 44) | 16073-1010 | |
| SEAL,INSULATOR (Ref # 45) | 92093-1060 | |
| CHAMBER-FLOAT (Ref # 46) | 16020-1003 | |