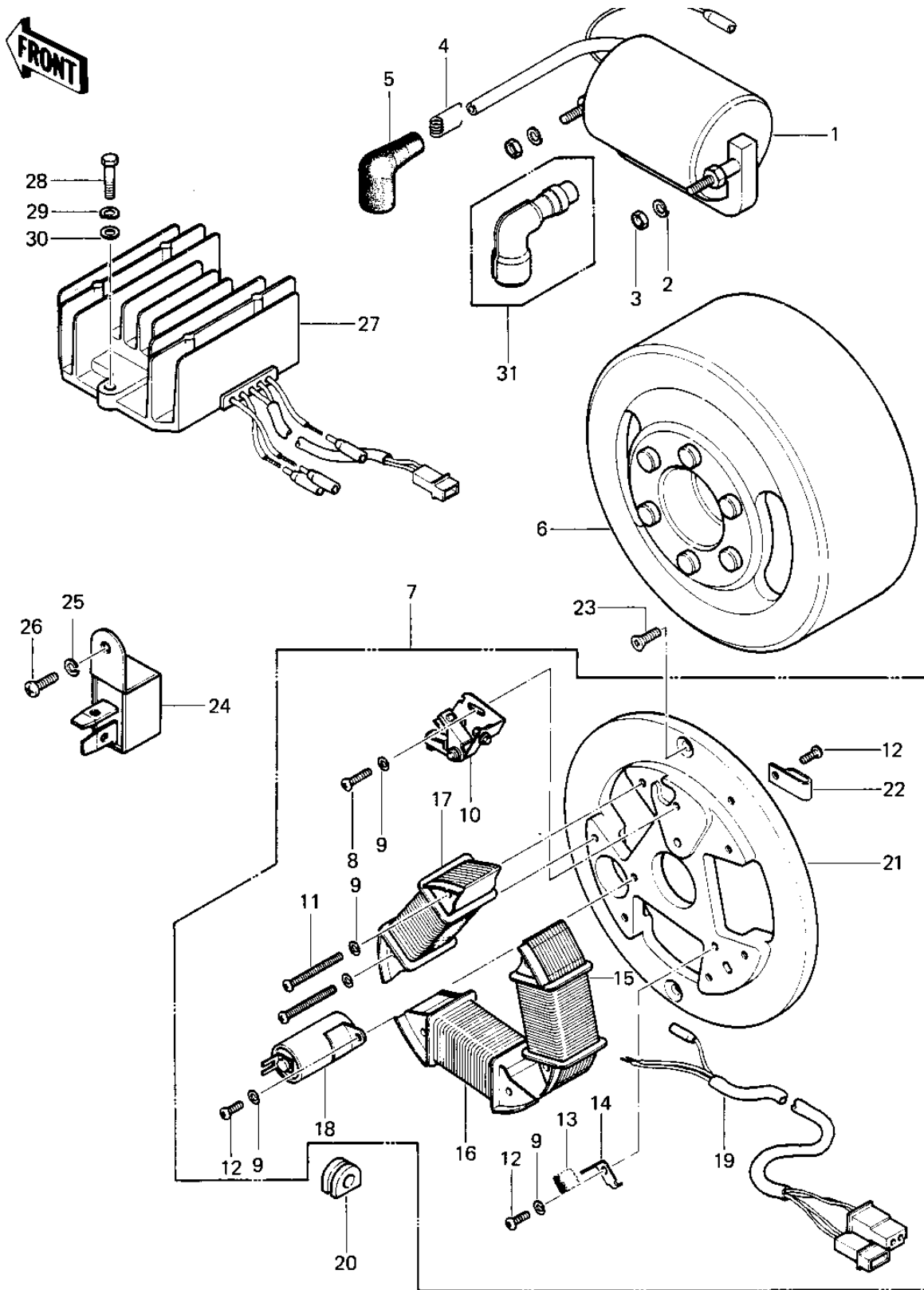


1979 KE100 PARTS DIAGRAM

IGNITION/GENERATOR/REGULATOR



1979 KE100 PARTS LIST

IGNITION/GENERATOR/REGULATOR

| ITEM NAME | PART NUMBER | QUANTITY |
|----------------------------------|-------------|----------|
| COIL,IGNITION (Ref # 1) | 21121-1047 | |
| WASHER SPRING 6MM (Ref # 2) | 461F0600 | |
| NUT 6MM (Ref # 3) | 311B0600 | |
| NUT (Ref # 3) | 92019-008 | |
| NUT-6MM (Ref # 3) | 92015-1078 | |
| SPRING-SPARK PLUG CAP (Ref # 4) | 92101-001 | |
| CAP SPARK PLUG (Ref # 5) | 21130-009 | |
| FLYWHEEL (Ref # 6) | 21050-016 | |
| FLYWHEEL,MAGNETO (Ref # 6) | 21050-1009 | |
| STATOR ASSY (Ref # 7) | 21003-025 | |
| STATOR ASSY (Ref # 7) | 21003-1014 | |
| SCREW-PAN-CRSOSS,4X12 (Ref # 8) | 220B0412 | |
| WASHER SPRING 4MM (Ref # 9) | 461F0400 | |
| BREAKER ASSY CONTACT (Ref # 10) | 21008-006 | |
| SCREW PAN HEAD 4X30 (Ref # 11) | 220E0430 | |
| SCREW PAN HEAD 4X6 (Ref # 12) | 220B0406 | |
| FELT OIL (Ref # 13) | 21019-005 | |
| HOLDER,OIL FELT (Ref # 14) | 21038-002 | |
| COIL,LIGHTING (Ref # 15) | 21047-1007 | |
| COIL,LIGHTING (Ref # 15) | 21047-1007 | |
| COIL,CHARGING B (Ref # 15) | 59031-1002 | |
| COIL A LIGHTING (Ref # 16) | 21047-019 | |
| COIL,CHARGING A (Ref # 16) | 59031-1001 | |
| COIL,EXCITING (Ref # 17) | 21049-1004 | |
| COIL,EXCITING (Ref # 17) | 21049-1004 | |
| CONDENSER (Ref # 18) | 21013-006 | |
| WIRING HARNESS,MAGNT (Ref # 19) | 21029-028 | |
| WIRING HARNESS,MAGNET (Ref # 19) | 26001-1077 | |
| GROMMET WIRING HARN (Ref # 20) | 21017-002 | |

1979 KE100 PARTS LIST

IGNITION/GENERATOR/REGULATOR

| ITEM NAME | PART NUMBER | QUANTITY |
|---------------------------------|-------------|----------|
| PLATE-COIL,MAGNETO (Ref # 21) | 21048-1002 | |
| CLAMP WIRING HARNESS (Ref # 22) | 21037-002 | |
| SCREW CNTSNK HD 6X14 (Ref # 23) | 221B0614 | |
| RECTIFIER (Ref # 24) | 21061-015 | |
| WASHER SPRING 5MM (Ref # 25) | 461F0500 | |
| SCREW PAN HEAD 5X10 (Ref # 26) | 220B0510 | |
| REGULATOR,VOLTAGE (Ref # 27) | 21066-1012 | |
| REGULATOR,VOLTAGE (Ref # 27) | 21066-1012 | |
| BOLT-UPSET (Ref # 28) | 112G0625 | |
| WASHER SPRING 6MM (Ref # 29) | 461F0600 | |
| WASHER PLAIN 6MM (Ref # 30) | 411B0600 | |
| CAP,SPARK PLUG (Ref # 31) | 21160-005 | |