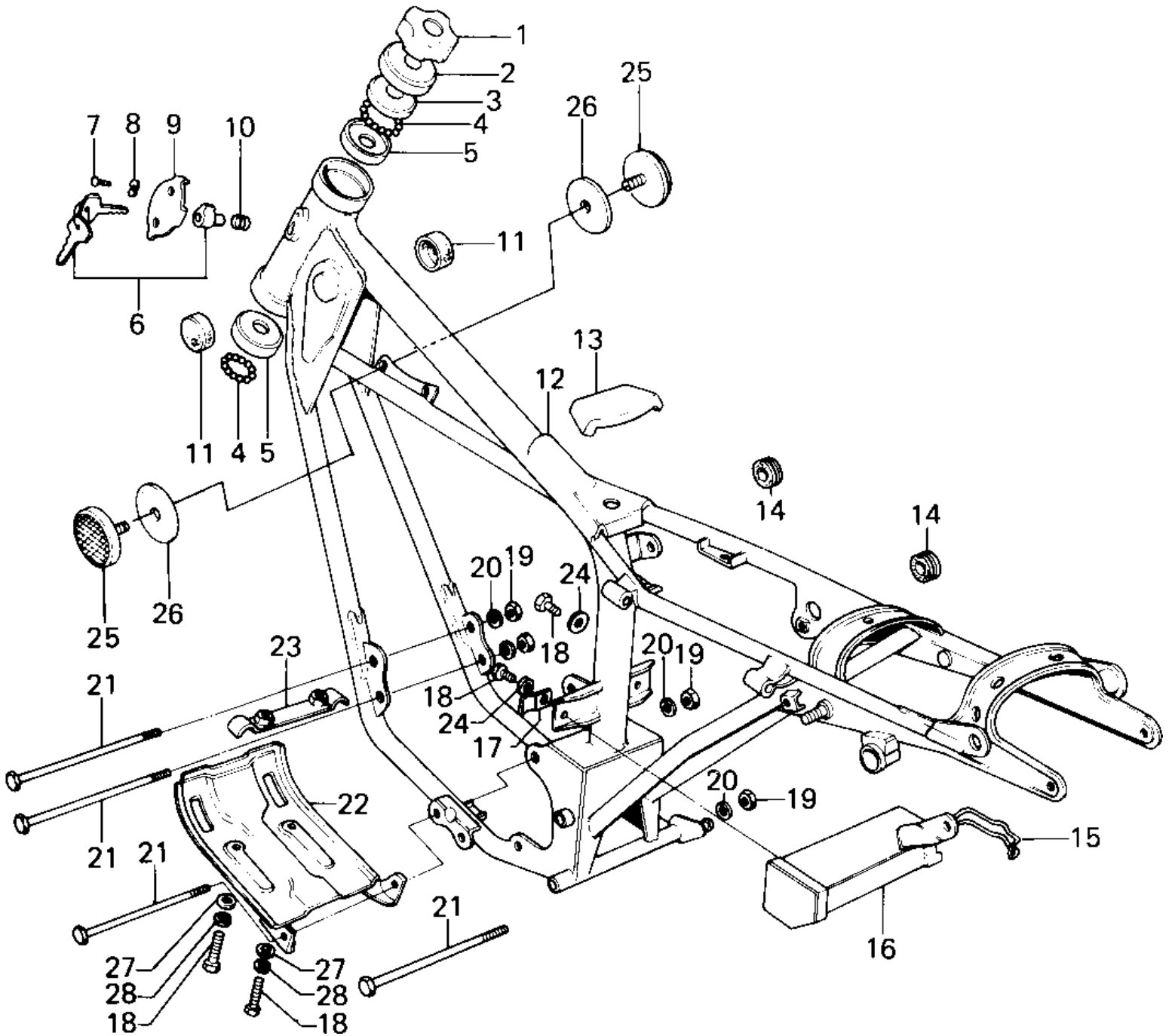


# 1979 KE100 PARTS DIAGRAM

## FRAME/FRAME FITTINGS



# 1979 KE100 PARTS LIST

## FRAME/FRAME FITTINGS

ITEM NAME	PART NUMBER	QUANTITY
NUT STEERING STEM LCK (Ref # 1)	92090-006	
CAP STEERING STEM (Ref # 2)	46098-004	
CONE UPPER BEARING (Ref # 3)	92047-005	
BALL STEEL 3/16' (Ref # 4)	600A0600	
RACE BEARING (Ref # 5)	92048-004	
LOCK ASSY,STEERING (Ref # 6)	27016-042	
SCREW-TAPPING (Ref # 7)	92008-007	
WASHER (Ref # 8)	92097-003	
CAP,STEERING LOCK (Ref # 9)	11012-1134	
CAP,STEERING LOCK (Ref # 9)	11012-1134	
SPRING-STEERING LOCK (Ref # 10)	27032-001	
DAMPER RUBBER-FL TANK (Ref # 11)	92075-101	
FRAME (Ref # 12)	32002-137	
FRAME (Ref # 12)	32002-1042	
FRAME-COMP (Ref # 12)	32002-1253	
DAMPER RUBBER-FL TANK (Ref # 13)	92075-106	
GROMMET (Ref # 14)	92071-056	
FASTENER-TOOL CASE (Ref # 15)	92079-002	
CASE-TOOL (Ref # 16)	32098-018	
CLAMP-BREATHER PIPE (Ref # 17)	92037-070	
BOLT-UPSET 6X14 (Ref # 18)	112B0614	
NUT,10MM (Ref # 19)	314B1000	
WASHER SPRING 10MM (Ref # 20)	461F1000	
BOLT,FLANGED,10X115 (Ref # 21)	92001-1603	
GUARD,ENGINE (Ref # 22)	55011-018	
BRACKET,ENGINE GUARD (Ref # 23)	55016-007	
WASHER PLAIN 6MM (Ref # 24)	411B0600	
REFLECTOR,REFLEX,REAR (Ref # 25)	28012-009	
DAMPER RUBBER,REFLECT (Ref # 26)	92094-011	

# 1979 KE100 PARTS LIST

## FRAME/FRAME FITTINGS

ITEM NAME	PART NUMBER	QUANTITY
WASHER PLAIN 6MM (Ref # 27)	410B0600	
WASHER SPRING 6MM (Ref # 28)	461F0600	