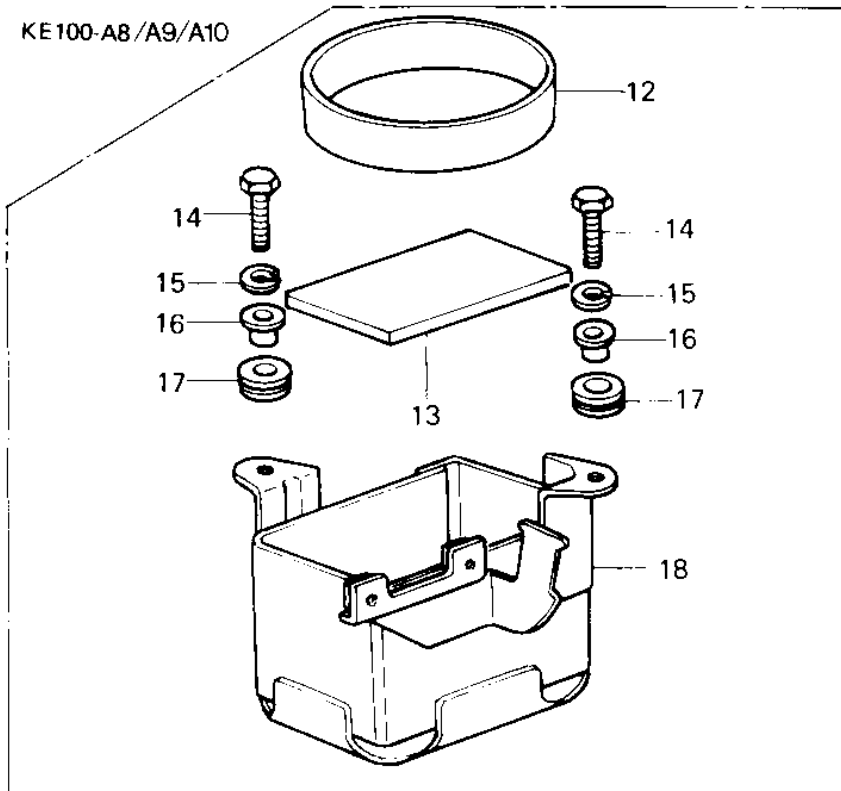
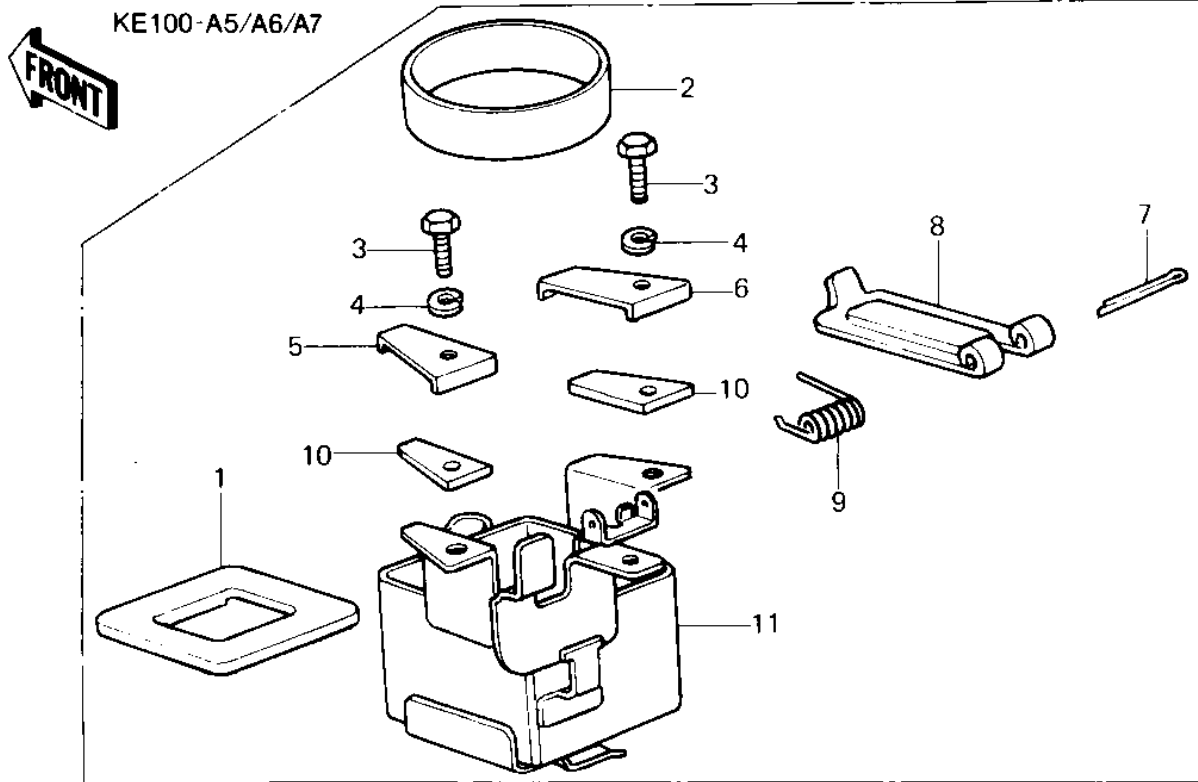


# 1978 KE100 PARTS DIAGRAM

## BATTERY CASE



## 1978 KE100 PARTS LIST

### BATTERY CASE

ITEM NAME	PART NUMBER	QUANTITY
MAT-BATTERY (Ref # 1)	32103-024	
MAT-BATTERY (Ref # 2)	32103-018	
BOLT-UPSET (Ref # 3)	112G0618	
WASHER SPRING 6MM (Ref # 4)	461F0600	
PLATE-BATTERY CASE,LH (Ref # 5)	32101-003	
PLATE-BATTERY CASE,RH (Ref # 6)	32101-004	
PIN,COTTER,2.5X40 (Ref # 7)	550D2540	
BAND-BATTERY (Ref # 8)	92072-037	
SPRING-RETURN (Ref # 9)	92083-017	
DAMPER RUBBER (Ref # 10)	92075-108	
CASE,BATTERY (Ref # 11)	32097-034	
MAT-BATTERY SIDE (Ref # 12)	32103-023	
MAT,BATTERY (Ref # 13)	32103-027	
BOLT-UPSET,6X20 (Ref # 14)	112G0620	
WASHER SPRING 6MM (Ref # 15)	461F0600	
COLLAR (Ref # 16)	92027-153	
DAMPER RUBBER (Ref # 17)	92075-051	
CASE,BATTERY (Ref # 18)	32097-1009	