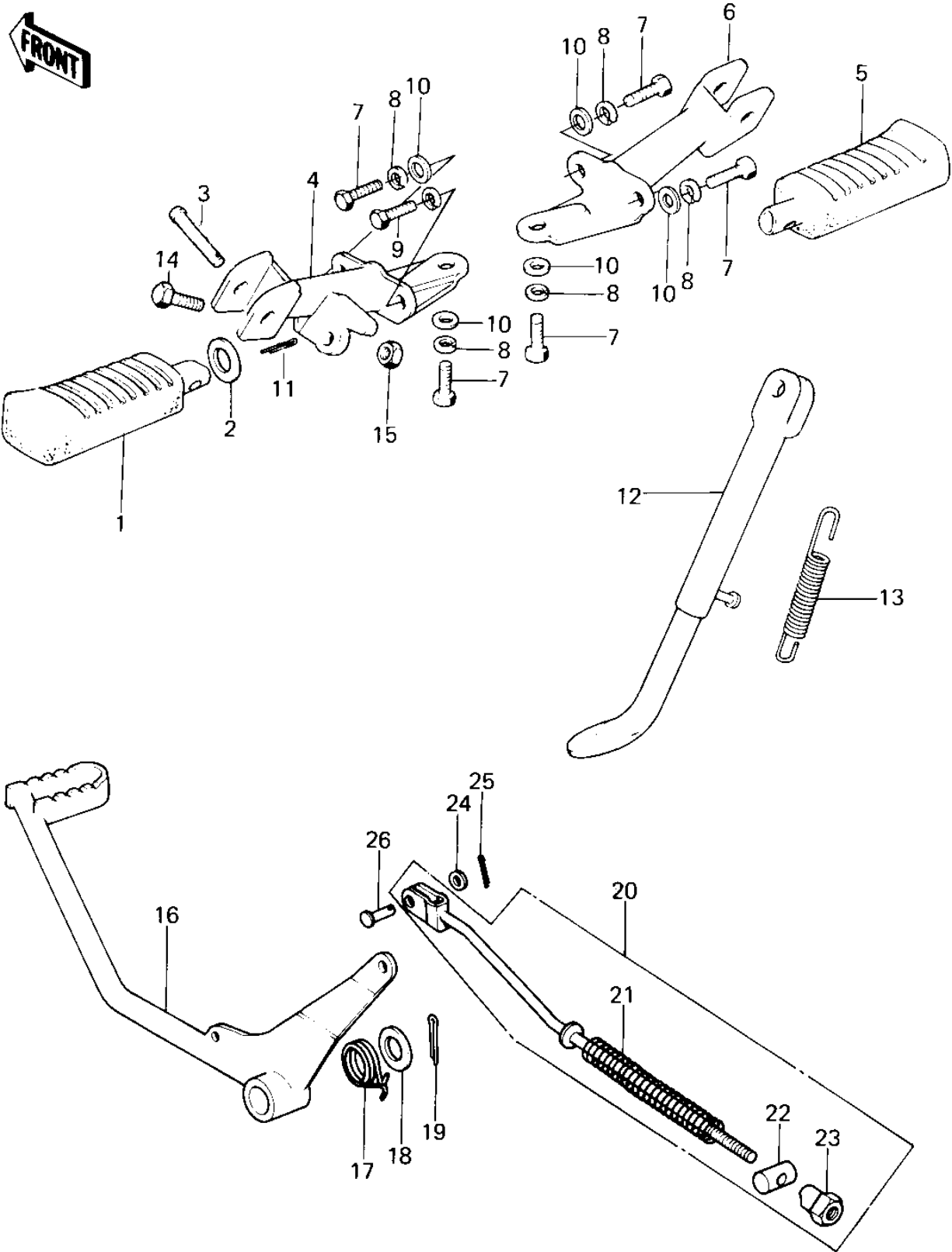


# 1976 KE100 PARTS DIAGRAM

FOOTRESTS/STAND/BRAKE PEDAL



# 1976 KE100 PARTS LIST

## FOOTRESTS/STAND/BRAKE PEDAL

ITEM NAME	PART NUMBER	QUANTITY
STEP-ASSY,FR,LH (Ref # 1)	34027-1114	1
WASHER,PLAIN (Ref # 2)	92022-250	2
PIN-FOOTREST BAR FIT (Ref # 3)	92043-080	2
HOLDER,FOTREST BAR,LH (Ref # 4)	34003-049	1
STEP-ASSY,FR,RH (Ref # 5)	34027-1115	1
HOLDER,FOTREST BAR,RH (Ref # 6)	34003-050	1
BOLT-SMALL-UPSET,8X18 (Ref # 7)	115G0818	5
WASHER SPRING 8MM (Ref # 8)	461F0800	6
BOLT-SMALL-UPSET,8X16 (Ref # 9)	115G0816	1
WASHER PLAIN 8MM (Ref # 10)	410B0800	5
PIN COTTER 2.5X16 (Ref # 11)	550D2516	2
STAND-SIDE (Ref # 12)	34024-037	1
SPRING MAIN STAND (Ref # 13)	34023-005	1
BOLT, HEX HEAD, 10X28 (Ref # 14)	113B1028	1
NUT 10MM (Ref # 15)	315B1000	1
PEDAL,BRAKE (Ref # 16)	43001-056	1
SPRING BRAKE PEDAL (Ref # 17)	43005-007	1
WASHER PLAIN 14MM (Ref # 18)	410B1400	1
PIN COTTER 3.0X30 (Ref # 19)	550D3030	1
BRAKE ROD ASSY (Ref # 20)	43010-5001	1
BRAKE ROD ASSY (Ref # 20)	43010-5001	1
SPRING,BRAKE ROD (Ref # 21)	43012-001	1
PIN BRAKE (Ref # 22)	92043-039	1
NUT-BRAKE ROD ADJUST (Ref # 23)	92015-042	1
NUT-BRAKE ROD ADJUST (Ref # 23)	92015-042	1
WASHER PLAIN 6MM (Ref # 24)	410B0600	1
PIN COTTER 2.0X15 (Ref # 25)	550D2015	1
PIN-BRAKE ROD FITTING (Ref # 26)	92043-064	1