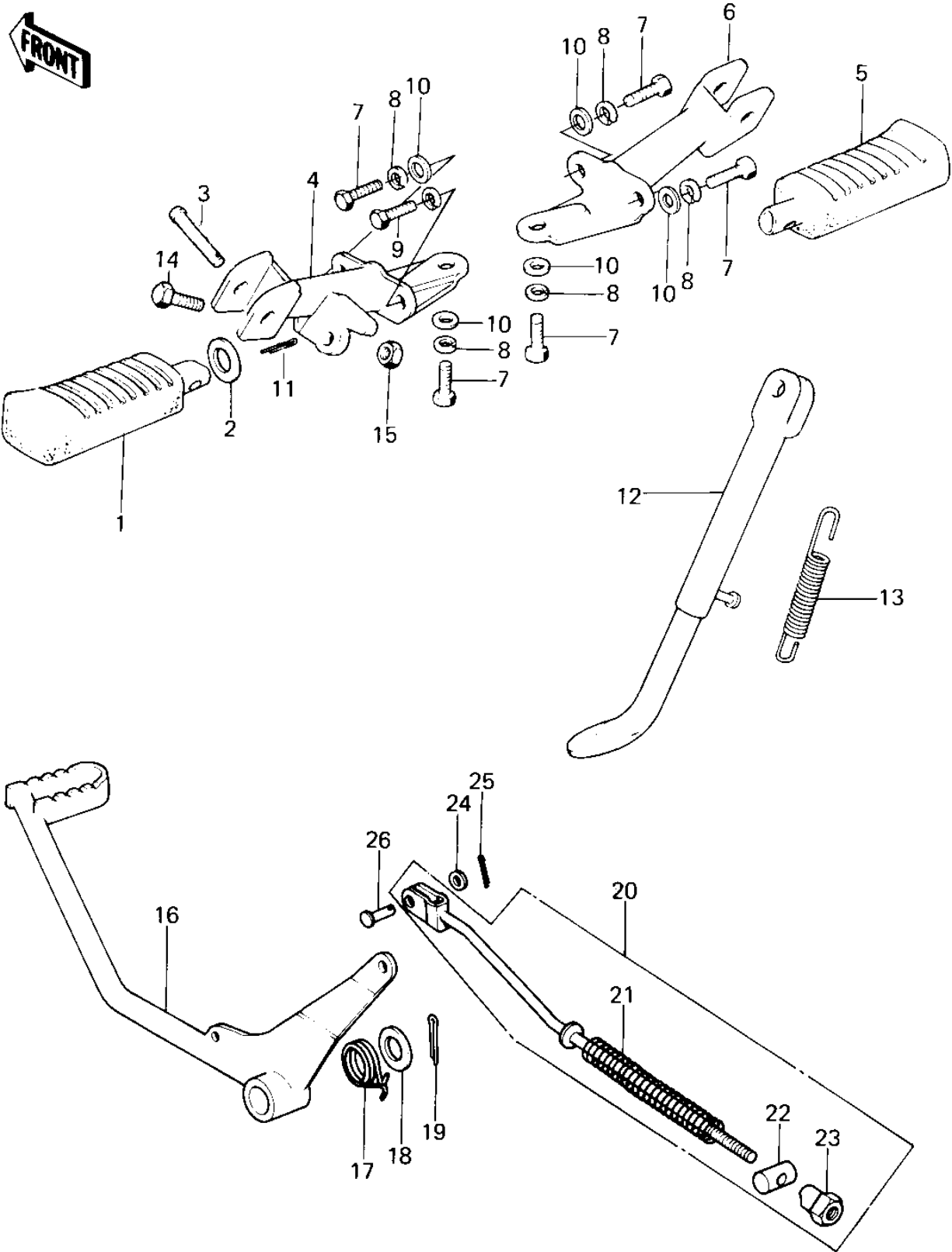


# 1980 KE100 PARTS DIAGRAM

FOOTRESTS/STAND/BRAKE PEDAL



# 1980 KE100 PARTS LIST

## FOOTRESTS/STAND/BRAKE PEDAL

| ITEM NAME                        | PART NUMBER | QUANTITY |
|----------------------------------|-------------|----------|
| STEP-ASSY,FR,LH (Ref # 1)        | 34027-1114  |          |
| WASHER,PLAIN (Ref # 2)           | 92022-250   |          |
| PIN-FOOTREST BAR FIT (Ref # 3)   | 92043-080   |          |
| HOLDER,FOTREST BAR,LH (Ref # 4)  | 34003-049   |          |
| STEP-ASSY,FR,RH (Ref # 5)        | 34027-1115  |          |
| HOLDER,FOTREST BAR,RH (Ref # 6)  | 34003-050   |          |
| BOLT-SMALL-UPSET,8X18 (Ref # 7)  | 115G0818    |          |
| WASHER SPRING 8MM (Ref # 8)      | 461F0800    |          |
| BOLT-SMALL-UPSET,8X16 (Ref # 9)  | 115G0816    |          |
| WASHER PLAIN 8MM (Ref # 10)      | 410B0800    |          |
| PIN COTTER 2.5X16 (Ref # 11)     | 550D2516    |          |
| STAND-SIDE (Ref # 12)            | 34024-037   |          |
| SPRING MAIN STAND (Ref # 13)     | 34023-005   |          |
| BOLT, HEX HEAD, 10X28 (Ref # 14) | 113B1028    |          |
| NUT 10MM (Ref # 15)              | 315B1000    |          |
| PEDAL,BRAKE (Ref # 16)           | 43001-056   |          |
| SPRING BRAKE PEDAL (Ref # 17)    | 43005-007   |          |
| WASHER PLAIN 14MM (Ref # 18)     | 410B1400    |          |
| PIN COTTER 3.0X30 (Ref # 19)     | 550D3030    |          |
| BRAKE ROD ASSY (Ref # 20)        | 43010-5001  |          |
| BRAKE ROD ASSY (Ref # 20)        | 43010-5001  |          |
| SPRING,BRAKE ROD (Ref # 21)      | 43012-001   |          |
| PIN BRAKE (Ref # 22)             | 92043-039   |          |
| NUT-BRAKE ROD ADJUST (Ref # 23)  | 92015-042   |          |
| NUT-BRAKE ROD ADJUST (Ref # 23)  | 92015-042   |          |
| WASHER PLAIN 6MM (Ref # 24)      | 410B0600    |          |
| PIN COTTER 2.0X15 (Ref # 25)     | 550D2015    |          |
| PIN-BRAKE ROD FITTING (Ref # 26) | 92043-064   |          |