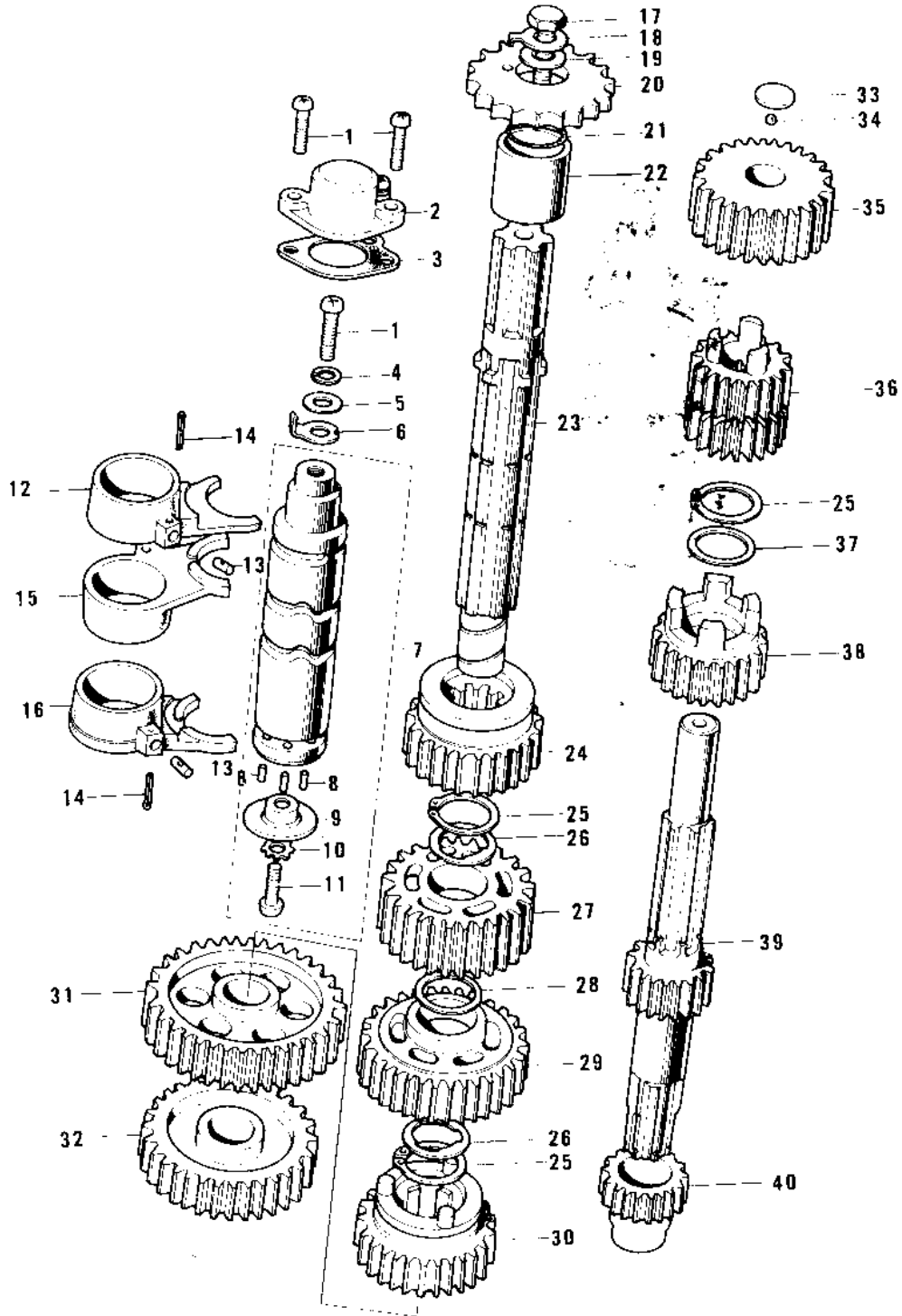


# 1976 KH100-B7 PARTS DIAGRAM

## TRANSMISSION/CHANGE DRUM



# 1976 KH100-B7 PARTS LIST

## TRANSMISSION/CHANGE DRUM

| ITEM NAME                        | PART NUMBER | QUANTITY |
|----------------------------------|-------------|----------|
| SCREW PAN HEAD 6X16 (Ref # 1)    | 220B0616    | 3        |
| SWITCH,NEUTRAL (Ref # 2)         | 13151-1002  | 1        |
| GASKET NEUTRAL SWITCH (Ref # 3)  | 13146-002   | 1        |
| WASHER SPRING 6MM (Ref # 4)      | 461F0600    | 1        |
| WASHER PLAIN 6MM (Ref # 5)       | 410B0600    | 1        |
| ROTOR,NEUTRAL INDICTR (Ref # 6)  | 21007-1003  | 1        |
| DRUM ASSY-GEAR CHANGE (Ref # 7)  | 13239-005   | 1        |
| PIN GEAR CHANGE DRUM (Ref # 8)   | 92042-014   | 6        |
| PLATE CHANGE DRUM PIN (Ref # 9)  | 13142-008   | 1        |
| WASHER LOCK 6MM (Ref # 10)       | 464H0600    | 1        |
| SCREW PAN HEAD 6X12 (Ref # 11)   | 220B0612    | 1        |
| SCREW PAN HEAD 6X14 (Ref # 11)   | 220B0614    | 1        |
| FORK SELECTOR 3RD (Ref # 12)     | 13140-009   | 1        |
| PIN SELECT FORK GUIDE (Ref # 13) | 92043-005   | 3        |
| PIN COTTER 3.0X20 (Ref # 14)     | 550D3020    | 3        |
| FORK SELECTOR 4TH-TOP (Ref # 15) | 13140-017   | 1        |
| FORK SELECTOR LOW-2ND (Ref # 16) | 13140-010   | 1        |
| BOLT-SMALL-UPSET,8X16 (Ref # 17) | 115G0816    | 1        |
| WASHER,LOCK,8MM (Ref # 18)       | 92030-012   | 1        |
| WASHER,ENGINE SPRCKT (Ref # 19)  | 92022-266   | 1        |
| SPROCKET-OUTPUT,14T (Ref # 20)   | 13144-1058  | 1        |
| SPROCKET-OUTPUT,14T (Ref # 20)   | 13144-1058  | 1        |
| ENGINE SPROCKET,13T (Ref # 20)   | 13144-053   | (1)      |
| ENGINE SPROCKET,1ST (Ref # 20)   | 13144-054   | (1)      |
| "O" RING (Ref # 21)              | 92055-022   | 1        |
| COLLAR,ENG NPROCKET (Ref # 22)   | 92027-179   | 1        |
| SHAFT OUTPUT (Ref # 23)          | 13128-021   | 1        |
| TOP GEAR OUTPUT SHAFT (Ref # 24) | 13137-012   | 1        |
| CIRCLIP (Ref # 25)               | 92033-014   | 3        |

## 1976 KH100-B7 PARTS LIST

### TRANSMISSION/CHANGE DRUM

| ITEM NAME                        | PART NUMBER | QUANTITY |
|----------------------------------|-------------|----------|
| WASHER-LOCK (Ref # 26)           | 92024-030   | 2        |
| 3RD GEAR OUTPUT SHAFT (Ref # 27) | 13133-005   | 1        |
| WASHER THRUST (Ref # 28)         | 92022-146   | 1        |
| 2ND GEAR OUTPUT SHAFT (Ref # 29) | 13131-008   | 1        |
| GEAR-TRANSMISSION SPU (Ref # 30) | 13129-1708  | 1        |
| LOW GEAR OUTPUT SHAFT (Ref # 31) | 13129-010   | 1        |
| IDLE GEAR (Ref # 32)             | 13073-004   | 1        |
| WASHER THRUST (Ref # 33)         | 92022-115   | 1        |
| BALL STEEL 7/32' (Ref # 34)      | 600A0700    | 1        |
| GEAR,INPUT TOP,24T (Ref # 35)    | 13129-1927  | 1        |
| 2ND&3RD GEAR,DRIVE (Ref # 36)    | 13129-1052  | 1        |
| WASHER THRUST (Ref # 37)         | 92022-118   | 1        |
| 4TH GEAR,DRIVE (Ref # 38)        | 13129-1053  | 1        |
| SHAFT,DRIVE (Ref # 39)           | 13127-032   | 1        |
| SHAFT,DRIVE (Ref # 39)           | 13127-032   | 1        |
| PINION KICKSTARTER (Ref # 40)    | 13075-004   | 1        |