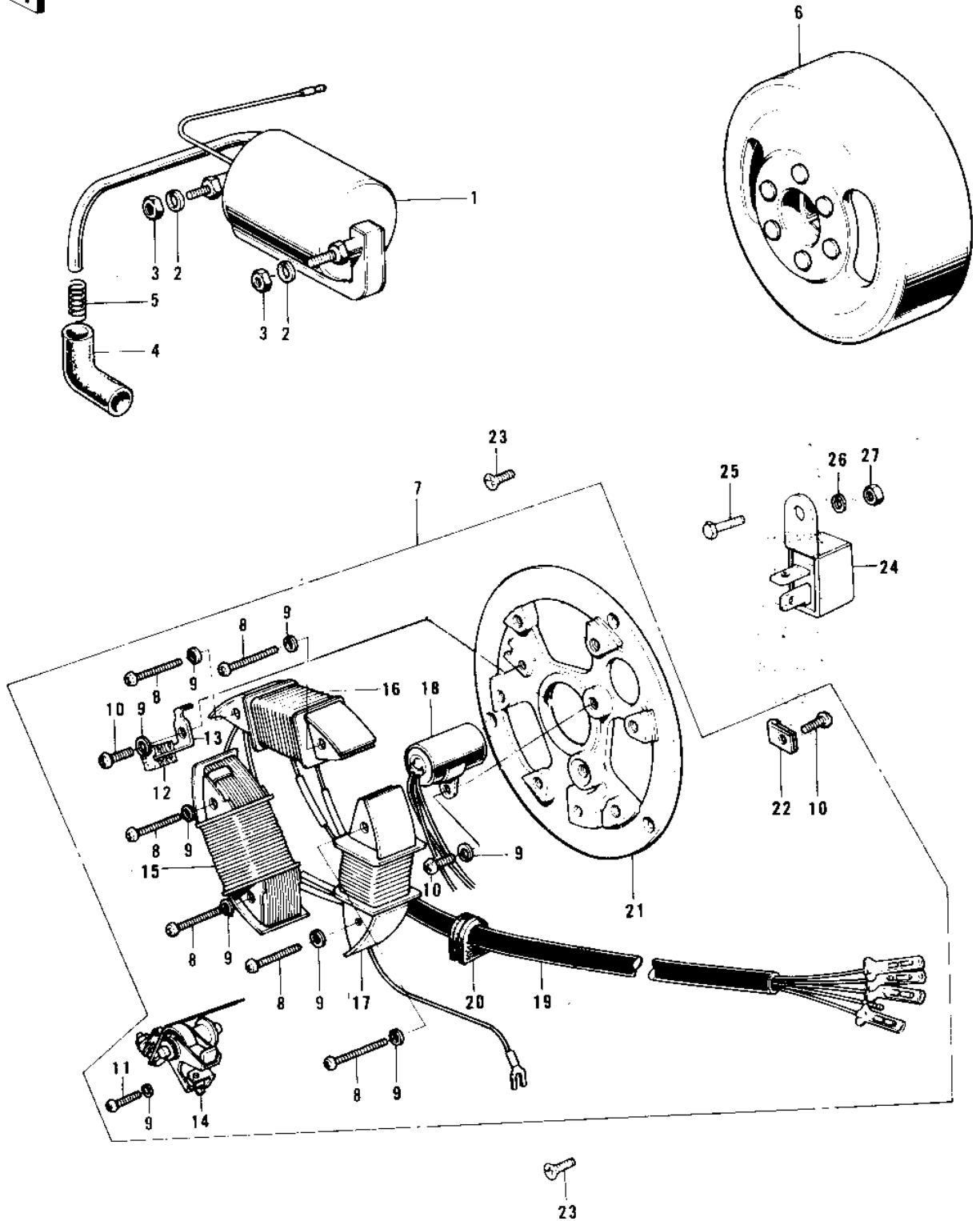


1976 KH100-B7 PARTS DIAGRAM

IGNITION/GENERATOR



1976 KH100-B7 PARTS LIST

IGNITION/GENERATOR

| ITEM NAME | PART NUMBER | QUANTITY |
|----------------------------------|-------------|----------|
| COIL IGNITION (Ref # 1) | 21121-1048 | 1 |
| WASHER SPRING 6MM (Ref # 2) | 461F0600 | 2 |
| NUT 6MM (Ref # 3) | 311B0600 | 2 |
| CAP SPARK PLUG (Ref # 4) | 21130-009 | 1 |
| SPRING-SPARK PLUG CAP (Ref # 5) | 92101-001 | 1 |
| FLYWHEEL (Ref # 6) | 21050-016 | 1 |
| STATOR ASSY (Ref # 7) | 21003-025 | 1 |
| SCREW PAN HEAD 4X30 (Ref # 8) | 220E0430 | 6 |
| WASHER SPRING 4MM (Ref # 9) | 461F0400 | 9 |
| SCREW PAN HEAD 4X6 (Ref # 10) | 220B0406 | 3 |
| SCREW-PAN-CRSOSS,4X12 (Ref # 11) | 220B0412 | 1 |
| FELT OIL (Ref # 12) | 21019-005 | 1 |
| HOLDER,OIL FELT (Ref # 13) | 21038-002 | 1 |
| BREAKER ASSY CONTACT (Ref # 14) | 21008-006 | 1 |
| COIL,LIGHTING (Ref # 15) | 21047-1007 | 1 |
| COIL,LIGHTING (Ref # 15) | 21047-1007 | 1 |
| COIL A LIGHTING (Ref # 16) | 21047-019 | 1 |
| COIL,EXCITING (Ref # 17) | 21049-1004 | 1 |
| COIL,EXCITING (Ref # 17) | 21049-1004 | 1 |
| CONDENSER (Ref # 18) | 21013-006 | 1 |
| WIRING HARNESS,MAGNT (Ref # 19) | 21029-028 | 1 |
| GROMMET WIRING HARN (Ref # 20) | 21017-002 | 1 |
| PLATE-COIL,MAGNETO (Ref # 21) | 21048-1002 | 1 |
| CLAMP WIRING HARNESS (Ref # 22) | 21037-002 | 2 |
| SCREW CNTSNK HD 6X14 (Ref # 23) | 221B0614 | 1 |
| RECTIFIER (Ref # 24) | 21061-015 | 1 |
| BOLT HEX HEAD 5X10 (Ref # 25) | 110B0510 | 1 |
| WASHER SPRING 5MM (Ref # 26) | 461F0500 | 1 |
| NUT,5MM (Ref # 27) | 311B0500 | 1 |