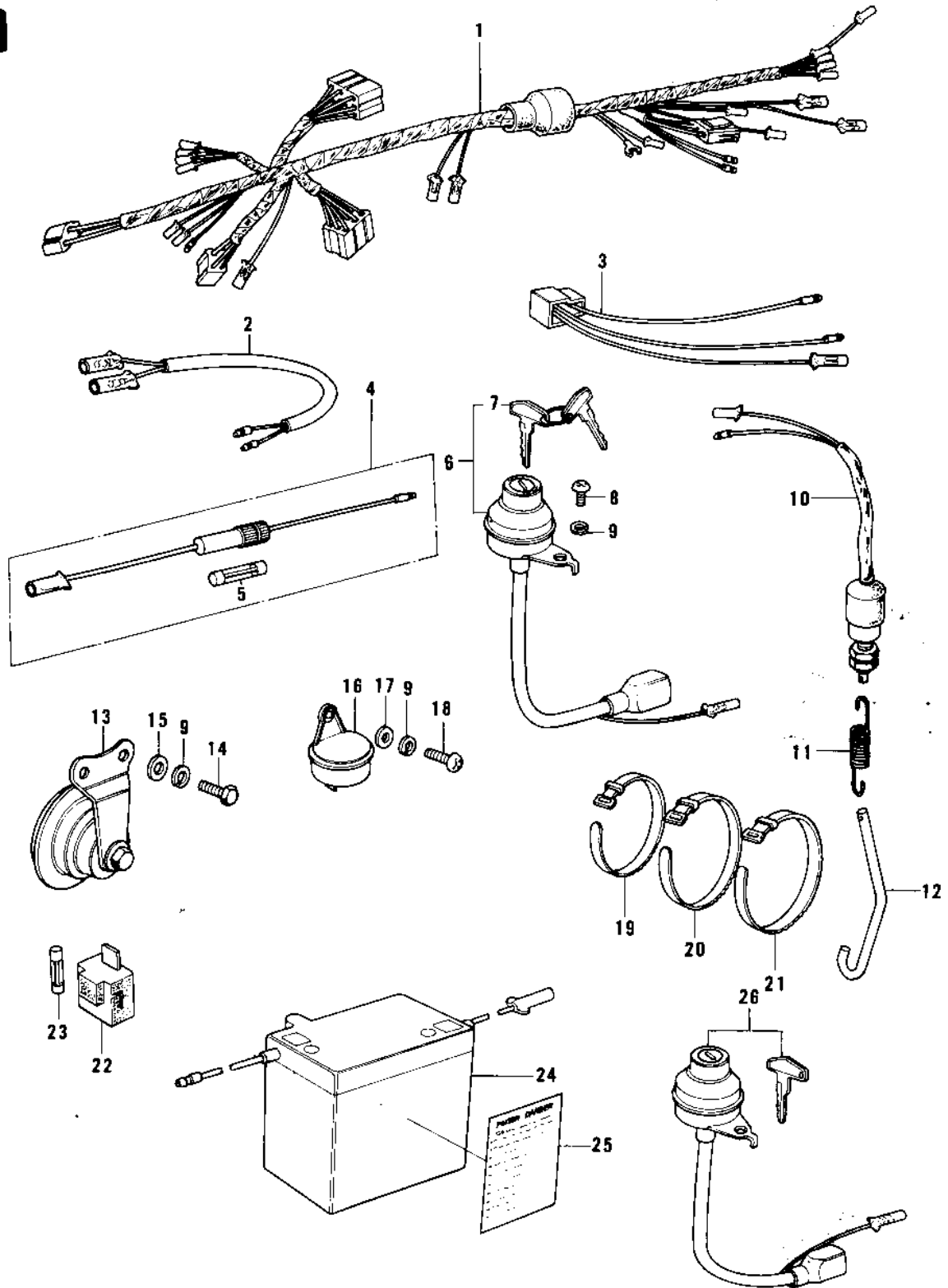


1976 KH100-B7 PARTS DIAGRAM

CHASSIS ELECTRICAL EQUIPMENT



1976 KH100-B7 PARTS LIST

CHASSIS ELECTRICAL EQUIPMENT

ITEM NAME	PART NUMBER	QUANTITY
WIRING HARNESS,MAIN (Ref # 1)	26001-133	1
WIRING HARNESS-REAR (Ref # 2)	26002-030	1
WIRE, RECTIFIER LEAD (Ref # 3)	26011-072	1
FUSE ASSY (Ref # 4)	26004-025	1
FUSE 15A (Ref # 5)	26006-007	1
SWITCH,IGNITION (Ref # 6)	27005-084	1
KEY SET NO.321 (Ref # 7)	27008-034-21	1
KEY SET NO.143 (Ref # 7)	27008-034-43	1
SCREW PAN HEAD 6X12 (Ref # 8)	220B0612	1
WASHER SPRING 6MM (Ref # 9)	461F0600	4
SWITCH-BRAKE LAMP (Ref # 10)	27010-015	1
SPRING BRAKE LAMP SW (Ref # 11)	27011-006	1
SPRING BRAKE LAMP SW (Ref # 12)	27012-005	1
HORN (Ref # 13)	27003-072	1
BOLT-UPSET,6X12 (Ref # 14)	112G0612	2
WASHER PLAIN 6MM (Ref # 15)	411B0600	2
RELAY-TURN SIGNAL (Ref # 16)	27002-015	1
WASHER 6.5X20X1.6T (Ref # 17)	92022-125	1
SCREW PAN HEAD 6X16 (Ref # 18)	220B0616	1
BAND,SHORT (Ref # 19)	92072-030	5
BAND,LONG (Ref # 20)	92072-032	3
BAND,WIRING HARNESS (Ref # 21)	92072-056	1
HOLDER-SPARE FUSE (Ref # 22)	26016-004	1
FUSE 15A (Ref # 23)	26006-007	2
YUA BAT 6N4-2A-5 (Ref # 24)	K26012-020	1
YUA BAT 6N4-2A-5 (Ref # 24)	K26012-020	1
LABEL-WARNING,BATTERY (Ref # 25)	56040-1036	1
SWITCH ASSY,IGNITION (Ref # 26)	27005-085	1
KEY,BLANK (Ref # 27)	27008-1016	1

1976 KH100-B7 PARTS LIST

CHASSIS ELECTRICAL EQUIPMENT

ITEM NAME	PART NUMBER	QUANTITY
KEY,BLANK (Ref # 27)	27008-1017	1
KEY,BLANK (Ref # 27)	27008-1018	1
KEY,BLANK (Ref # 27)	27008-1019	1