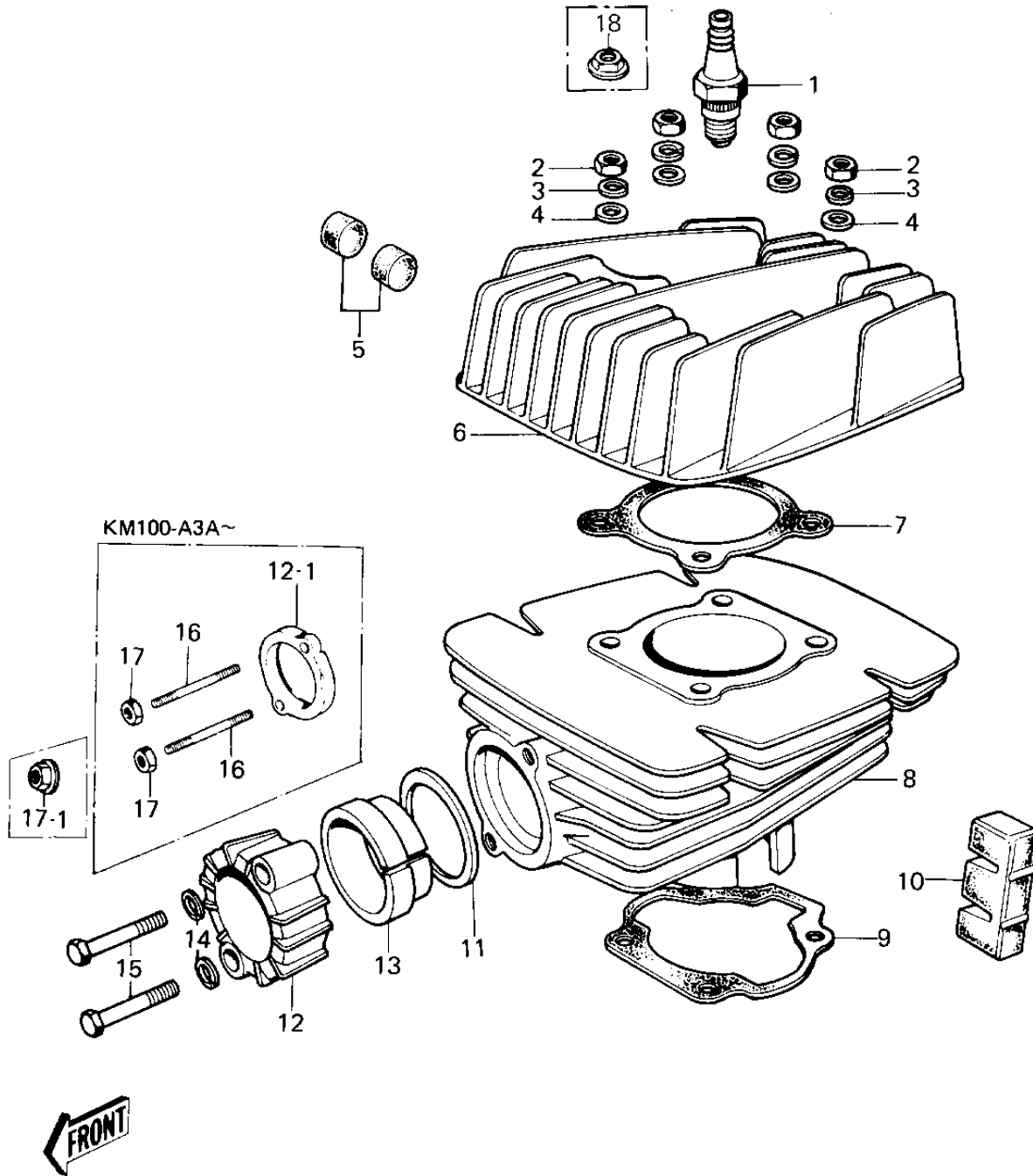


1978 KM100-A3A PARTS DIAGRAM

CYLINDER HEAD/CYLINDER

R



1978 KM100-A3A PARTS LIST

CYLINDER HEAD/CYLINDER

ITEM NAME	PART NUMBER	QUANTITY
SPARK PLUG B7HS (Ref # 1)	B7HS	
NUT,8M/M (Ref # 2)	317B0800	
WASHER SPRING 8MM (Ref # 3)	461F0800	
WASHER PLAIN 8MM (Ref # 4)	410B0800	
DAMPER RUBBER-CYL HD (Ref # 5)	92075-117	
CYLINDER HEAD (Ref # 5)	11001-085	
CYLINDER HEAD (Ref # 5)	11001-1026	
GASKET CYLINDER HEAD (Ref # 7)	11004-033	
CYLINDER (Ref # 7)	11005-155	
CYLINDER,ELECTRO-FUSE (Ref # 7)	11005-1007-21	
GASKET,CYLINDER BASE (Ref # 9)	11060-1200	
DAMPER RUBBER-CYLINDER (Ref # 10)	92075-142	
GASKET,EXHAUST PIPE H (Ref # 11)	11009-1866	
HOLDER,EX PIPE,BLACK (Ref # 12)	18069-035-21	
HOLDER,EXHAUST PIPE (Ref # 12-1)	18069-1003-21	
INSERT-EXHAUST HOLDER (Ref # 13)	18070-005	
WASHER SPRING 6MM (Ref # 14)	461F0600	
BOLT-UPSET,6X35 (Ref # 15)	112G0635	
STUD (Ref # 16)	92004-029	
NUT,LOCK 6MM (Ref # 17)	92017-014	
NUT-6MM (Ref # 17-1)	92015-1078	
NUT-8MM (Ref # 18)	92015-1022	