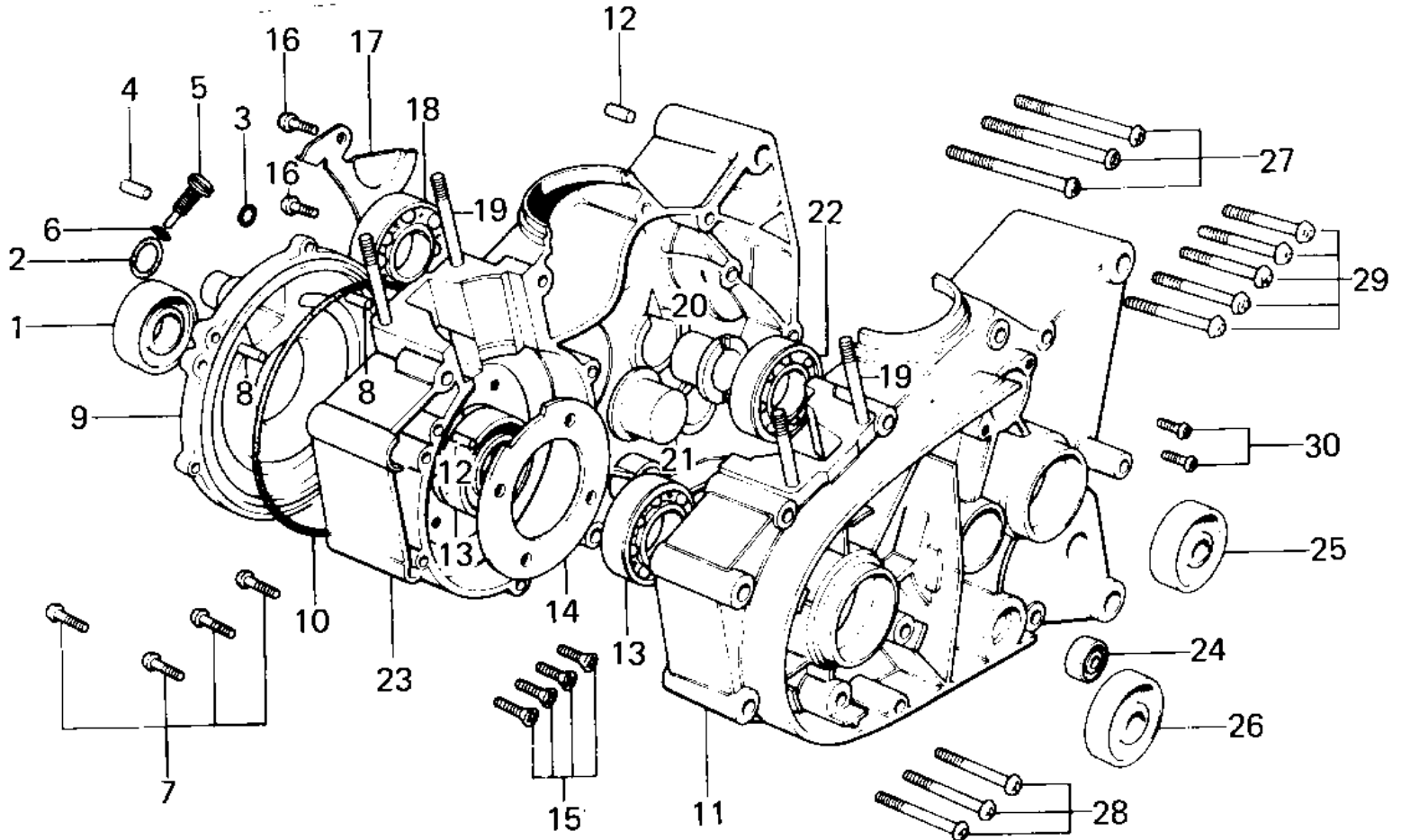


1976 KM100-A1 PARTS DIAGRAM

CRANKCASE (KM100-A1/A2)



1976 KM100-A1 PARTS LIST

CRANKCASE (KM100-A1/A2)

ITEM NAME	PART NUMBER	QUANTITY
SEAL-OIL (Ref # 1)	92049-1250	1
"0" RING,26MM (Ref # 2)	670B3026	1
"0" RING,8MM (Ref # 3)	92055-029	1
PIN DOWEL 8X16 (Ref # 4)	92042-017	1
NOZZLE OIL INJECTION (Ref # 5)	92062-004	1
"0" RING,5MM (Ref # 6)	92055-011	1
SCREW PAN HEAD 6X20 (Ref # 7)	220B0620	6
PIN DOWEL 5X12 (Ref # 8)	610A0512	2
COVER ROTARY DISC VLV (Ref # 9)	14019-032	1
COVER,ROTRY DISC VALV (Ref # 9)	14019-056	1
"0" RING,100MM (Ref # 10)	92055-010	1
CRANKCASE,L.H. (Ref # 11)	14002-1072	1
PIN DOWEL 8X16 (Ref # 12)	551A0816	3
BEARING BALL #6204 (Ref # 13)	601B6204	2
HOLDER, CRANKSHAFT BEARING (Ref # 14)	14014-017	1
SCREW CNTSNK HD 6X16 (Ref # 15)	221B0616	4
SCREW PAN HEAD 6X12 (Ref # 16)	220B0612	2
HOLDER BEARING MSSON (Ref # 17)	14014-008	1
BEARING BALL #6005 (Ref # 18)	601B6005	1
STUD 8X115 (Ref # 19)	172G08115	4
BUSH DRIVE SHAFT (Ref # 20)	92028-069	1
BUSH OUTPUT SHAFT (Ref # 21)	92028-025	1
BEARING BALL #6004 (Ref # 22)	601B6004	1
CRANKCASE,R.H (Ref # 23)	14003-063	1
OIL SEAL SB12205 (Ref # 24)	92049-004	1
OIL SEAL SC25376 (Ref # 25)	92050-013	1
SEAL-OIL (Ref # 26)	92049-1240	1
SCREW PAN HEAD 6X65 (Ref # 27)	220B0665	3
SCREW PAN HEAD 6X60 (Ref # 28)	220B0660	3

1976 KM100-A1 PARTS LIST

CRANKCASE (KM100-A1/A2)

ITEM NAME	PART NUMBER	QUANTITY
SCREW PAN HEAD 6X40 (Ref # 29)	220B0640	5
SCREW PAN HEAD 6X25 (Ref # 30)	220B0625	2