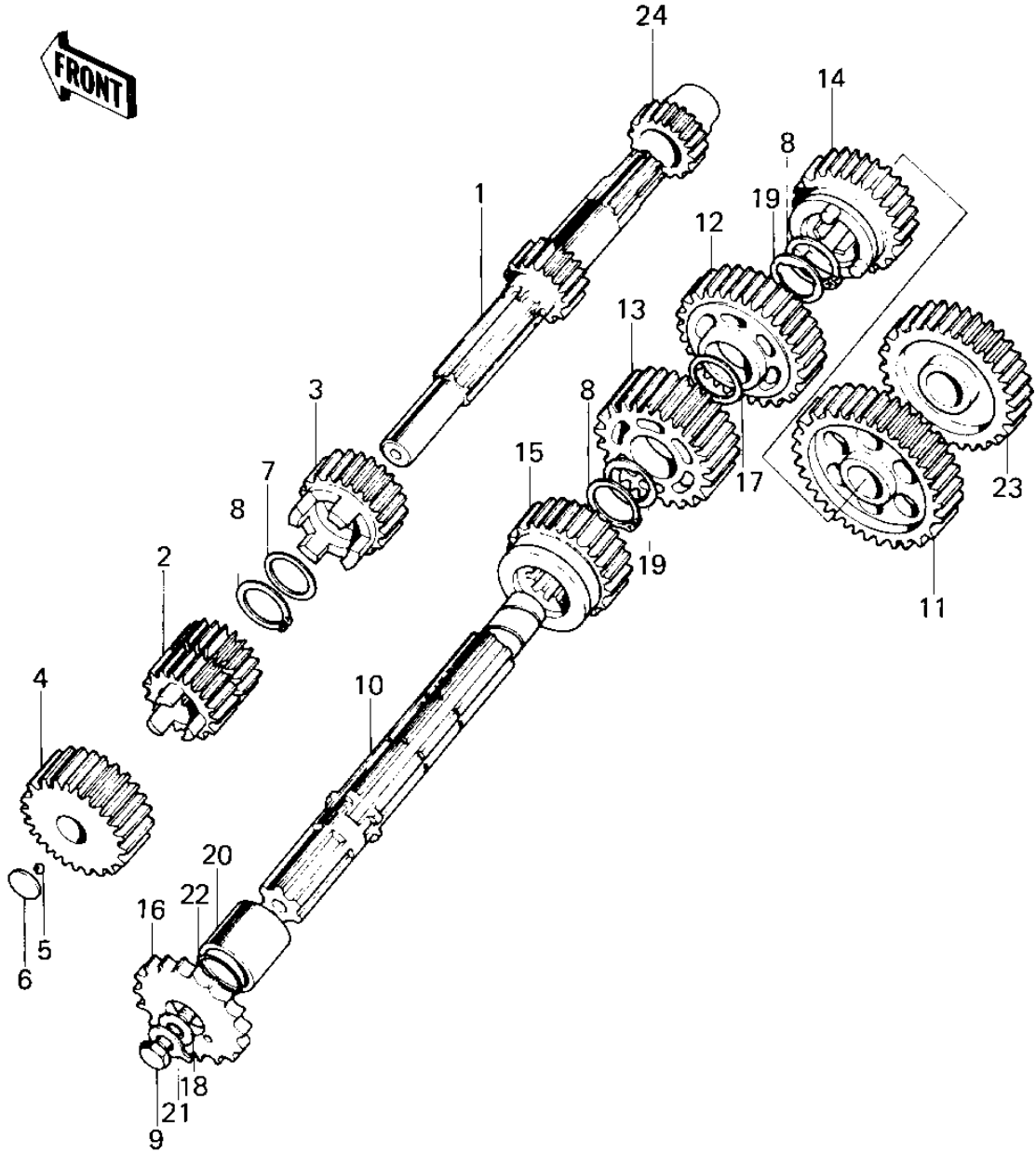


1981 KM100 PARTS DIAGRAM

TRANSMISSION (KM100-A6/A7)



1981 KM100 PARTS LIST

TRANSMISSION (KM100-A6/A7)

ITEM NAME	PART NUMBER	QUANTITY
SHAFT,DRIVE (Ref # 1)	13127-1017	1
2ND&3RD GEAR,DRIVE (Ref # 2)	13129-1052	1
4TH GEAR,DRIVE (Ref # 3)	13129-1053	1
GEAR,INPUT TOP,24T (Ref # 4)	13129-1927	1
BALL STEEL 7/32' (Ref # 5)	600A0700	1
WASHER THRUST (Ref # 6)	92022-115	1
WASHER THRUST (Ref # 7)	92022-118	1
CIRCLIP (Ref # 8)	92033-014	3
BOLT-SMALL-UPSET,8X16 (Ref # 9)	115G0816	1
BOLT,UPSET,8X16 (Ref # 9)	92001-1368	1
SHAFT OUTPUT (Ref # 10)	13128-021	1
LOW GEAR OUTPUT SHAFT (Ref # 11)	13129-010	1
2ND GEAR OUTPUT SHAFT (Ref # 12)	13131-008	1
3RD GEAR OUTPUT SHAFT (Ref # 13)	13133-005	1
GEAR-TRANSMISSION SPU (Ref # 14)	13129-1708	1
TOP GEAR OUTPUT SHAFT (Ref # 15)	13137-012	1
SPROCKET-OUTPUT,14T (Ref # 16)	13144-1058	1
ENGINE SPROCKET,13T (Ref # 16)	13144-053	(1
ENGINE SPROCKET,1ST (Ref # 16)	13144-054	(1
WASHER THRUST (Ref # 17)	92022-146	1
WASHER,ENGINE SPRCKT (Ref # 18)	92022-266	1
WASHER-LOCK (Ref # 19)	92024-030	2
COLLAR,ENG SPROCKET (Ref # 20)	92027-1595	1
WASHER,LOCK,8MM (Ref # 21)	92030-012	1
"O" RING (Ref # 22)	92055-022	1
IDLE GEAR (Ref # 23)	13073-004	1
PINION KICKSTARTER (Ref # 24)	13075-004	1