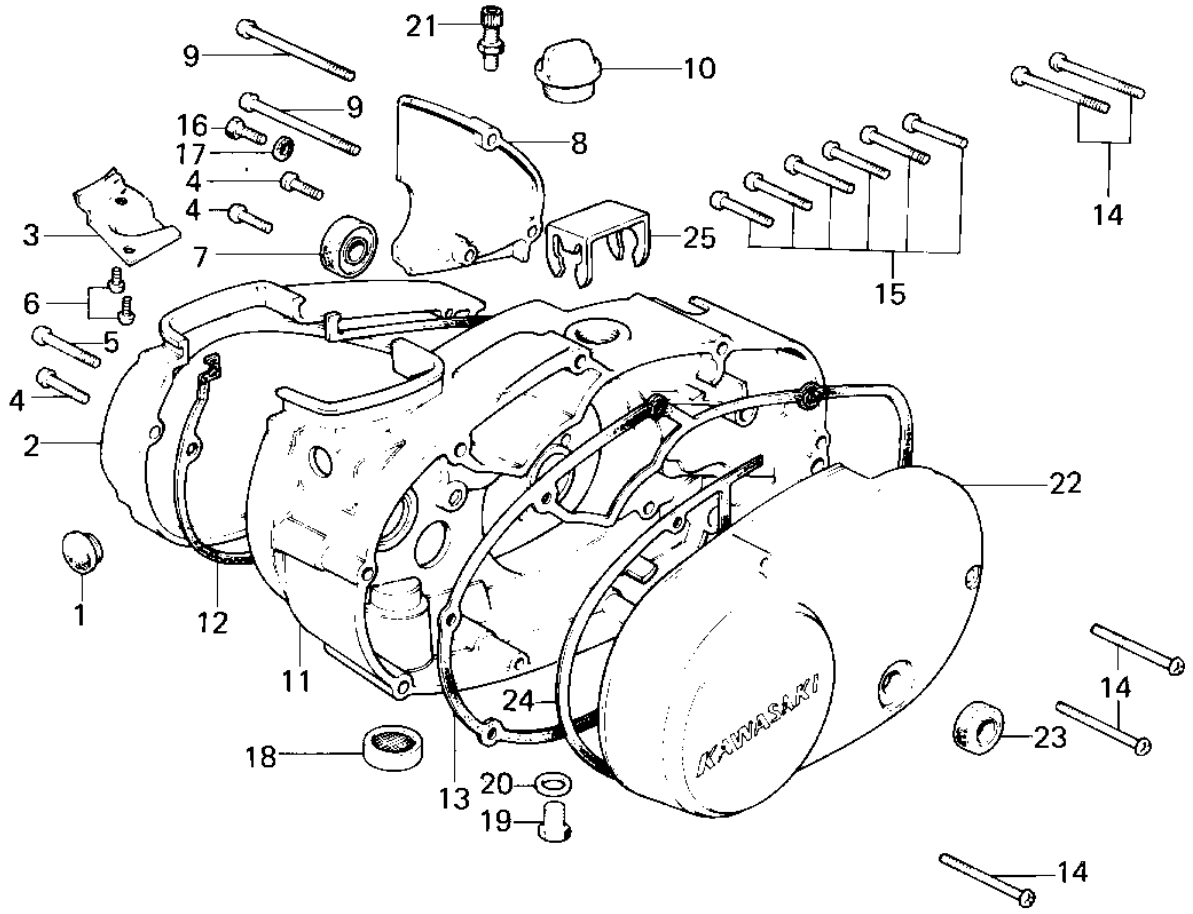


# 1977 KM100-A2 PARTS DIAGRAM

## ENGINE COVERS



 FRONT

## 1977 KM100-A2 PARTS LIST

### ENGINE COVERS

ITEM NAME	PART NUMBER	QUANTITY
CAP CARB MOUNT HOLE (Ref # 1)	14039-001	
COVER,CARB BARREL (Ref # 2)	14030-1005	
COVER,CARB BARREL (Ref # 2)	14030-1005	
COVER,CARB BARREL (Ref # 2)	14030-1005	
COVER,CARBURETOR (Ref # 2)	14030-1011	
COVER,CLUTCH CABLE (Ref # 3)	14025-1137	
COVER,CLUTCH CABLE (Ref # 3)	14025-1137	
SCREW PAN HEAD 6X20 (Ref # 4)	220B0620	
SCREW PAN HEAD 6X35 (Ref # 5)	220B0635	
SCREW PAN HEAD 6X12 (Ref # 6)	220B0612	
OIL SEAL TB14257 (Ref # 7)	653B142507	
COVER,OIL PUMP,BUFF (Ref # 8)	14030-050-80	
COVER,OIL PUMP (Ref # 8)	14025-1185	
SCREW PAN HEAD 6X75 (Ref # 9)	220B0675	
FILLER,OIL (Ref # 10)	16115-018	
COVER,R.H,ENG,BARREL (Ref # 11)	14032-1017	
COVER,R.H,ENG,BARREL (Ref # 11)	14032-1017	
COVER,R.H.ENGINE (Ref # 11)	14032-1029	
GASKET,CARBURETOR COV (Ref # 12)	11060-1201	
GASKET,CLUTCH COVER (Ref # 13)	11060-1198	
SCREW PAN HEAD 6X45 (Ref # 14)	220B0645	
SCREW PAN HEAD 6X30 (Ref # 15)	220B0630	
BOLT,HEX HEAD,6X14 (Ref # 16)	92001-121	
WASHER OIL PUMP BANJO (Ref # 17)	92022-077	
DRAIN,FUEL (Ref # 18)	16116-006	
PLUG OIL DRAIN (Ref # 19)	92067-001	
GASKET CHECK VALVE (Ref # 20)	92065-058	
ADJUSTER,CABLE (Ref # 21)	16002-012	
COVER,L.H ENG.BUFF (Ref # 22)	14031-078-80	

## 1977 KM100-A2 PARTS LIST

### ENGINE COVERS

ITEM NAME	PART NUMBER	QUANTITY
COVER,L.H.ENGINE (Ref # 22)	14031-1029	
COVER,L.H.ENGINE (Ref # 22)	14031-1029	
COVER,L.H.ENGINE (Ref # 22)	14031-1043	
OIL SEAL SB12205 (Ref # 23)	92049-004	
GASKET, L.H. ENGINE COVER (Ref # 24)	14045-020	
CLAMP (Ref # 25)	92037-1107	