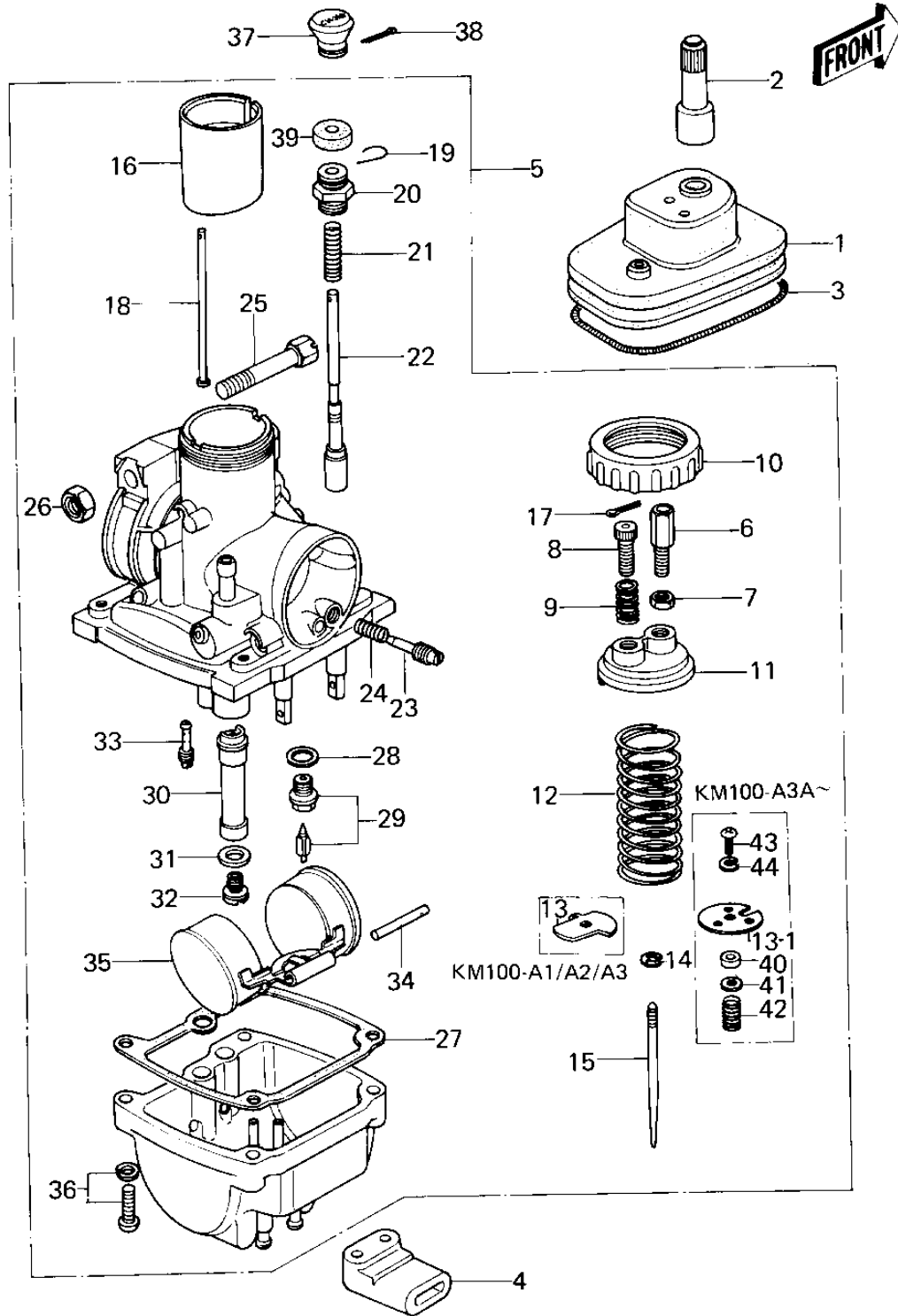


1981 KM100 PARTS DIAGRAM

CARBURETOR (KM100-A1-A4)



1981 KM100 PARTS LIST

CARBURETOR (KM100-A1-A4)

ITEM NAME	PART NUMBER	QUANTITY
CAP,CARBURETOR (Ref # 1)	14038-035	1
PLUG,CARBURETOR CAP (Ref # 2)	16147-001	1
SPRING COIL (Ref # 3)	92081-047	1
GROMMET,OVER FLOW (Ref # 4)	16136-007	1
CARBURETOR ASSY (Ref # 5)	16001-264	1
CARBURETOR ASSY (Ref # 5)	16001-1043	1
ADJUSTER,CABLE (Ref # 6)	16002-017	1
NUT CABLE ADJUST LOCK (Ref # 7)	16003-004	1
SCREW,THROTTLE STOP (Ref # 8)	16021-002	1
SPRING THR STOP SCREW (Ref # 9)	16022-005	1
CAP MIXING CHAMBER (Ref # 10)	16004-010	1
TOP MIXING CHAMBER (Ref # 11)	16005-005	1
SPRING THROTTLE VALVE (Ref # 12)	16006-013	1
SPRING SEAT,THRTL TL (Ref # 13)	16007-020	1
SPRING SEAT, THROTTLE VALVE (Ref # 13 1)	13169-1105	1
CIRCLIP (Ref # 14)	16008-010	1
JET NEEDLE 4EJ7 (Ref # 15)	16009-059	1
JET NEEDLE 4EJ12 (Ref # 15)	16009-1012	1
VALVE, THROTTLE CA, 2.0 (Ref # 16)	16025-057	1
VALVE, THROTTLE CA, 2.0 (Ref # 16)	16025-1013	1
PIN COTTER 1.2X10 (Ref # 17)	550D1210	1
ROD,THROTTLE VLV STP (Ref # 18)	16024-012	1
CIRCLIP (Ref # 19)	92037-1077	1
UNAVAILABLE IN PRICE BOOK (Ref # 19)	92037 1077	1
CAP,STARTER PLUNGER (Ref # 20)	16012-021	1
SPRING,STARTER PLUNGR (Ref # 21)	16013-010	1
PLUNGER,STARTER (Ref # 22)	16016-012	1
SCREW PILOT AIR ADJST (Ref # 23)	16014-002	1
SPRING-THR STOP SCREW (Ref # 24)	16022-007	1

1981 KM100 PARTS LIST

CARBURETOR (KM100-A1-A4)

ITEM NAME	PART NUMBER	QUANTITY
SCREW CLAMP (Ref # 25)	16010-004	1
NUT 6MM (Ref # 26)	311B0600	1
NUT,6M/M (Ref # 26)	92015-1026	1
GASKET,FLOAT CHAMBER (Ref # 27)	16019-021	1
WASHER VALVE SEAT (Ref # 28)	16029-002	1
FLOAT VALVE ASSY (Ref # 29)	16030-001	1
NEEDLE JET O-Z (Ref # 30)	16017-068	1
NEEDLE JET,O-O (Ref # 30)	16017-1016	1
WASHER MAIN JET (Ref # 31)	16034-001	1
MAIN JET,#77.5R (Ref # 32)	92063-1032	1
MAIN JET NO 72.5R (Ref # 32)	92063-108	(1
MAIN JET NO 75R (Ref # 32)	92063-109	(1
MAIN JET, #A80 (Ref # 32)	92063-1030	(1
MAIN JET NO 82.5R (Ref # 32)	92063-124	(1
MAIN JET, #A80 (Ref # 32)	92063-1030	1
MAIN JET NO 75R (Ref # 32)	92063-109	(1
MAIN JET,#77.5R (Ref # 32)	92063-1032	(1
MAIN JET NO 82.5R (Ref # 32)	92063-124	(1
MAIN JET NO 85R (Ref # 32)	92063-093	(1
PILOT JET #17.5 ISO (Ref # 33)	92064-020	1
PILOT JET,#A15 (Ref # 33)	92064-1018	1
FLOAT PIN (Ref # 34)	16032-003	1
FLOAT (Ref # 35)	16031-015	1
SCREW-FLOAT CHAMBER (Ref # 36)	16033-012	4
KNOB,CARBURETOR (Ref # 37)	92077-022	1
PIN COTTER 1.6X15 (Ref # 38)	550D1615	1
CAP,STARTER PLUNGER (Ref # 39)	16036-012	1
RING,JET NEEDLE (Ref # 40)	92027-1103	1
WASHER,THROTTLE VALVE (Ref # 41)	92022-1024	1