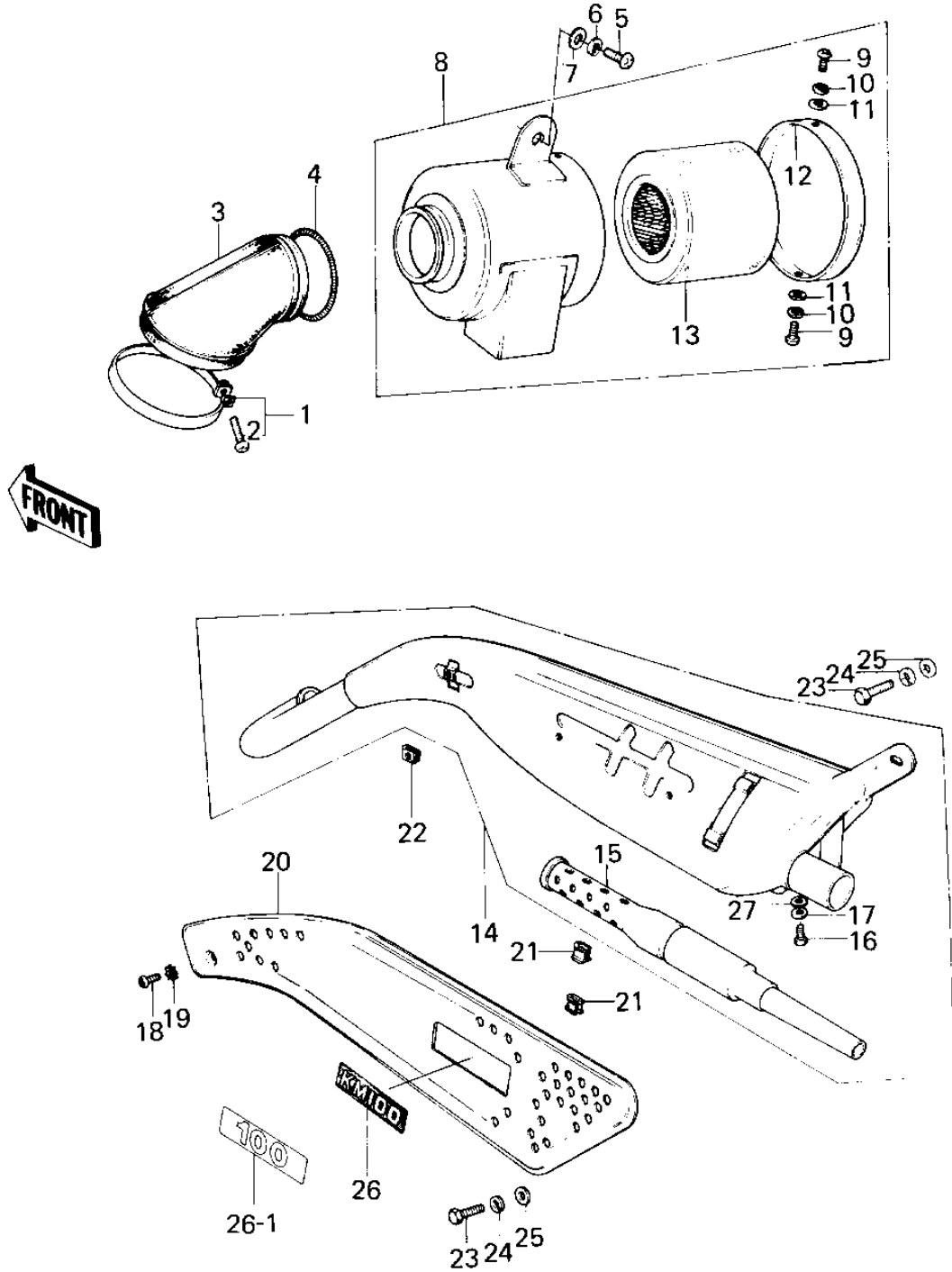


1977 KM100-A2 PARTS DIAGRAM

AIR CLEANER/MUFFLER (KM100-A1~A4)



1977 KM100-A2 PARTS LIST

AIR CLEANER/MUFFLER (KM100-A1~A4)

ITEM NAME	PART NUMBER	QUANTITY
CLAMP-AIR CLEANER (Ref # 1)	92037-068	
SCREW PAN HEAD 6X35 (Ref # 2)	220B0635	
CONNECTOR,AIR CLEANER (Ref # 3)	11026-009	
DUCT,AIR CLEANER (Ref # 3)	14073-1007	
SPRING COIL (Ref # 4)	92081-047	
SCREW PAN HEAD 6X12 (Ref # 5)	220B0612	
WASHER SPRING 6MM (Ref # 6)	461F0600	
WASHER PLAIN 6MM (Ref # 7)	410B0600	
AIR CLEANER ASY,BLACK (Ref # 8)	11010-068-10	
AIR CLEANER ASSY (Ref # 8)	11010-1016-10	
SCREW PAN HEAD 5X8 (Ref # 9)	220B0508A	
SCREW PAN HEAD 5X10 (Ref # 9)	220B0510	
WASHER SPRING 5MM (Ref # 10)	461F0500	
WASHER PLAIN 5MM (Ref # 11)	410B0500	
CAP,AIR CLEANER (Ref # 12)	11012-041	
CAP,AIR CLEANER (Ref # 12)	11012-1028	
ELEMENT,AIR,CLNR (Ref # 13)	11013-044	
ELEMENT,AIR CLNR (Ref # 13)	11013-1009	
MUFFLER ASSY,F.BLACK (Ref # 14)	18001-167-21	
BAFFLE TUBE (Ref # 15)	18033-096	
BOLT,6X10 (Ref # 16)	112G0610	
WASHER PLAIN 6MM (Ref # 17)	410B0600	
SCREW PAN HEAD 6X12 (Ref # 18)	220E0612	
WASHER LOCK 6MM (Ref # 19)	463H0600	
COVER,MUFFLER (Ref # 20)	18064-018	
INSULATOR (Ref # 21)	18065-007	
INSULATOR-HEAT (Ref # 22)	18065-009	
BOLT-SMALL-UPSET,8X16 (Ref # 23)	115G0816	
WASHER SPRING 8MM (Ref # 24)	461F0800	

1977 KM100-A2 PARTS LIST

AIR CLEANER/MUFFLER (KM100-A1~A4)

ITEM NAME	PART NUMBER	QUANTITY
WASHER PLAIN 8MM (Ref # 25)	411B0800	
EMBLEM,SIDE COVER (Ref # 26)	56018-241	
EMBLEM,MUFFLER COVER (Ref # 26-1)	56018-1043	
WASHER-PLAIN (Ref # 27)	92022-183	