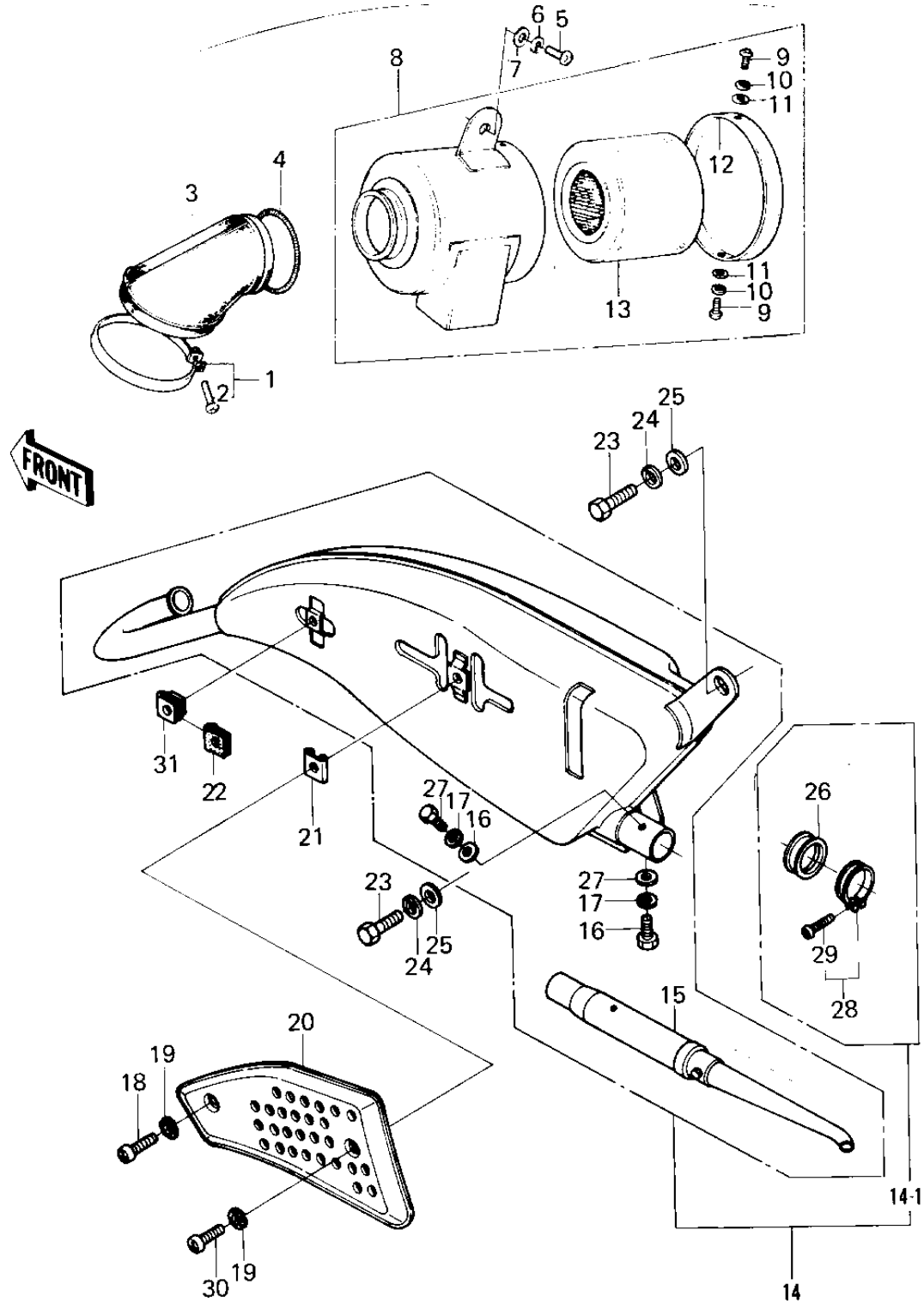


1977 KM100-A2 PARTS DIAGRAM

AIR CLEANER/MUFFLER (KM100-A6/A7)



1977 KM100-A2 PARTS LIST

AIR CLEANER/MUFFLER (KM100-A6/A7)

| ITEM NAME | PART NUMBER | QUANTITY |
|----------------------------------|---------------|----------|
| CLAMP-AIR CLEANER (Ref # 1) | 92037-068 | |
| SCREW PAN HEAD 6X35 (Ref # 2) | 220B0635 | |
| DUCT,AIR CLEANER (Ref # 3) | 14073-1007 | |
| SPRING COIL (Ref # 4) | 92081-047 | |
| SCREW PAN HEAD 6X12 (Ref # 5) | 220B0612 | |
| WASHER SPRING 6MM (Ref # 6) | 461F0600 | |
| WASHER PLAIN 6MM (Ref # 7) | 410B0600 | |
| AIR CLEANER ASSY (Ref # 8) | 11010-1016-10 | |
| SCREW PAN HEAD 5X10 (Ref # 9) | 220B0510 | |
| WASHER SPRING 5MM (Ref # 10) | 461F0500 | |
| WASHER PLAIN 5MM (Ref # 11) | 410B0500 | |
| CAP,AIR CLEANER (Ref # 12) | 11012-1028 | |
| ELEMENT,AIR CLNR (Ref # 13) | 11013-1009 | |
| MUFFLER ASSY (Ref # 14) | 18001-5033 | |
| MUFFLER ASSY (Ref # 14-1) | 18001-5033 | |
| BAFFLE TUBE (Ref # 15) | 49099-1027 | |
| BOLT,6X10 (Ref # 16) | 112G0610 | |
| WASHER PLAIN 6MM (Ref # 17) | 410B0600 | |
| SCREW PAN HEAD 6X14 (Ref # 18) | 220B0614 | |
| WASHER LOCK 6MM (Ref # 19) | 463H0600 | |
| COVER,MUFFLER (Ref # 20) | 14025-1184 | |
| INSULATOR,HEAT (Ref # 21) | 18065-010 | |
| INSULATOR-HEAT (Ref # 22) | 18065-009 | |
| BOLT-SMALL-UPSET,8X16 (Ref # 23) | 115G0816 | |
| BOLT-SMALL-UPSET,8X16 (Ref # 23) | 115G0816 | |
| WASHER SPRING 8MM (Ref # 24) | 461F0800 | |
| WASHER PLAIN 8MM (Ref # 25) | 411B0800 | |
| WASHER PLAIN 8MM (Ref # 26) | 92022-183 | |
| CONNECTOR,BAFFLETUBE (Ref # 27) | 92093-1042 | |

1977 KM100-A2 PARTS LIST

AIR CLEANER/MUFFLER (KM100-A6/A7)

| ITEM NAME | PART NUMBER | QUANTITY |
|----------------------------------|-------------|----------|
| CONNECTOR,BAFFLETUBE (Ref # 27) | 92093-1042 | |
| CLAMP,CARBURETOR HLDR (Ref # 28) | 92037-178 | |
| SCREW-PAN-CROS,5X25 (Ref # 29) | 220B0525 | |
| SCREW PAN HEAD 6X10 (Ref # 30) | 220B0610 | |
| NUT,MUFFLER (Ref # 31) | 92015-1094 | |