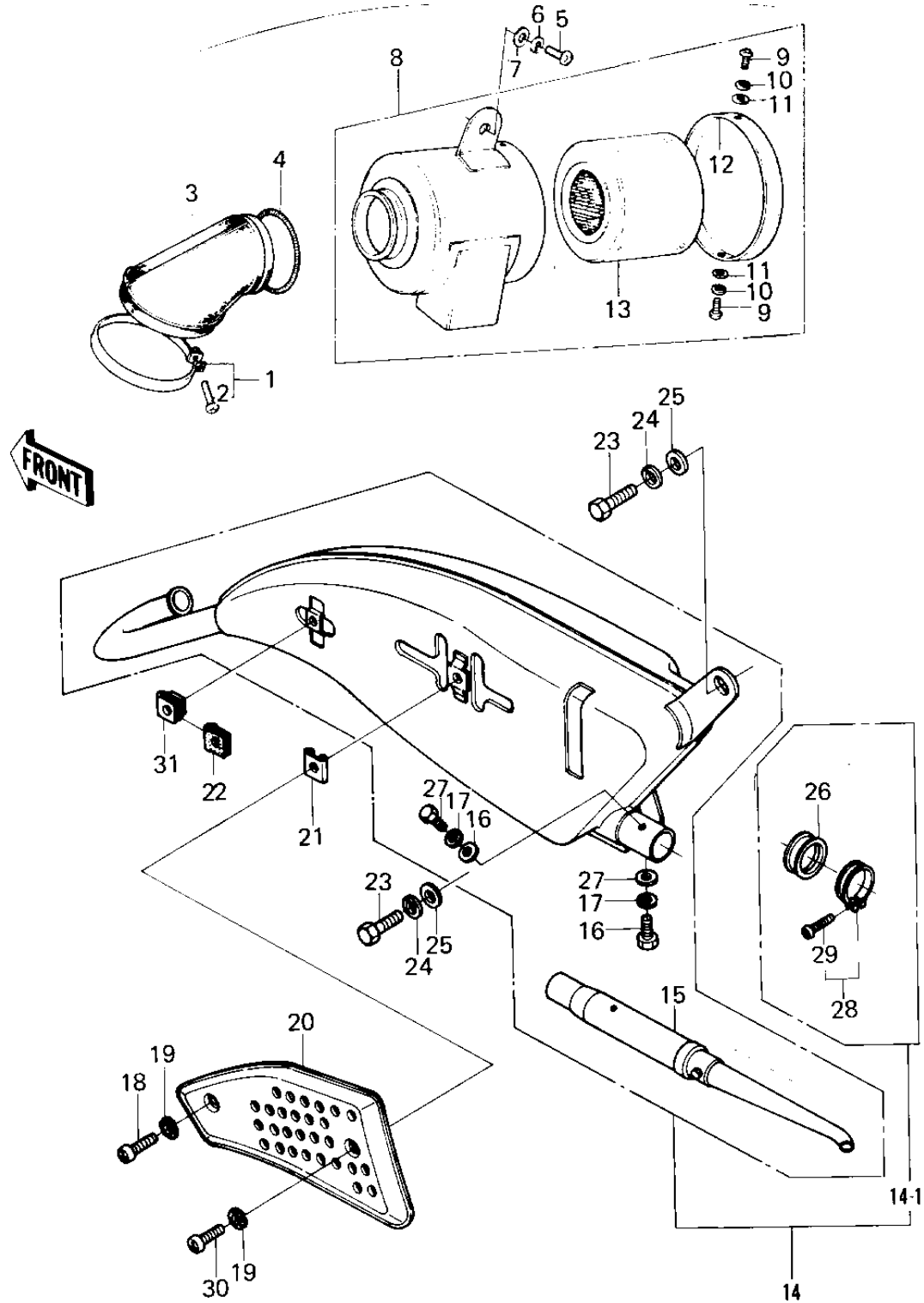


# 1978 KM100-A3A PARTS DIAGRAM

AIR CLEANER/MUFFLER (KM100-A6/A7)



**Kawasaki**

Let the good times roll®

# 1978 KM100-A3A PARTS LIST

AIR CLEANER/MUFFLER (KM100-A6/A7)

ITEM NAME	PART NUMBER	QUANTITY
CLAMP-AIR CLEANER (Ref # 1)	92037-068	
SCREW PAN HEAD 6X35 (Ref # 2)	220B0635	
DUCT,AIR CLEANER (Ref # 3)	14073-1007	
SPRING COIL (Ref # 4)	92081-047	
SCREW PAN HEAD 6X12 (Ref # 5)	220B0612	
WASHER SPRING 6MM (Ref # 6)	461F0600	
WASHER PLAIN 6MM (Ref # 7)	410B0600	
AIR CLEANER ASSY (Ref # 8)	11010-1016-10	
SCREW PAN HEAD 5X10 (Ref # 9)	220B0510	
WASHER SPRING 5MM (Ref # 10)	461F0500	
WASHER PLAIN 5MM (Ref # 11)	410B0500	
CAP,AIR CLEANER (Ref # 12)	11012-1028	
ELEMENT,AIR CLNR (Ref # 13)	11013-1009	
MUFFLER ASSY (Ref # 14)	18001-5033	
MUFFLER ASSY (Ref # 14-1)	18001-5033	
BAFFLE TUBE (Ref # 15)	49099-1027	
BOLT,6X10 (Ref # 16)	112G0610	
WASHER PLAIN 6MM (Ref # 17)	410B0600	
SCREW PAN HEAD 6X14 (Ref # 18)	220B0614	
WASHER LOCK 6MM (Ref # 19)	463H0600	
COVER,MUFFLER (Ref # 20)	14025-1184	
INSULATOR,HEAT (Ref # 21)	18065-010	
INSULATOR-HEAT (Ref # 22)	18065-009	
BOLT-SMALL-UPSET,8X16 (Ref # 23)	115G0816	
BOLT-SMALL-UPSET,8X16 (Ref # 23)	115G0816	
WASHER SPRING 8MM (Ref # 24)	461F0800	
WASHER PLAIN 8MM (Ref # 25)	411B0800	
WASHER PLAIN 8MM (Ref # 26)	92022-183	
CONNECTOR,BAFFLETUBE (Ref # 27)	92093-1042	

# 1978 KM100-A3A PARTS LIST

AIR CLEANER/MUFFLER (KM100-A6/A7)

ITEM NAME	PART NUMBER	QUANTITY
CONNECTOR,BAFFLETUBE (Ref # 27)	92093-1042	
CLAMP,CARBURETOR HLDR (Ref # 28)	92037-178	
SCREW-PAN-CROS,5X25 (Ref # 29)	220B0525	
SCREW PAN HEAD 6X10 (Ref # 30)	220B0610	
NUT,MUFFLER (Ref # 31)	92015-1094	