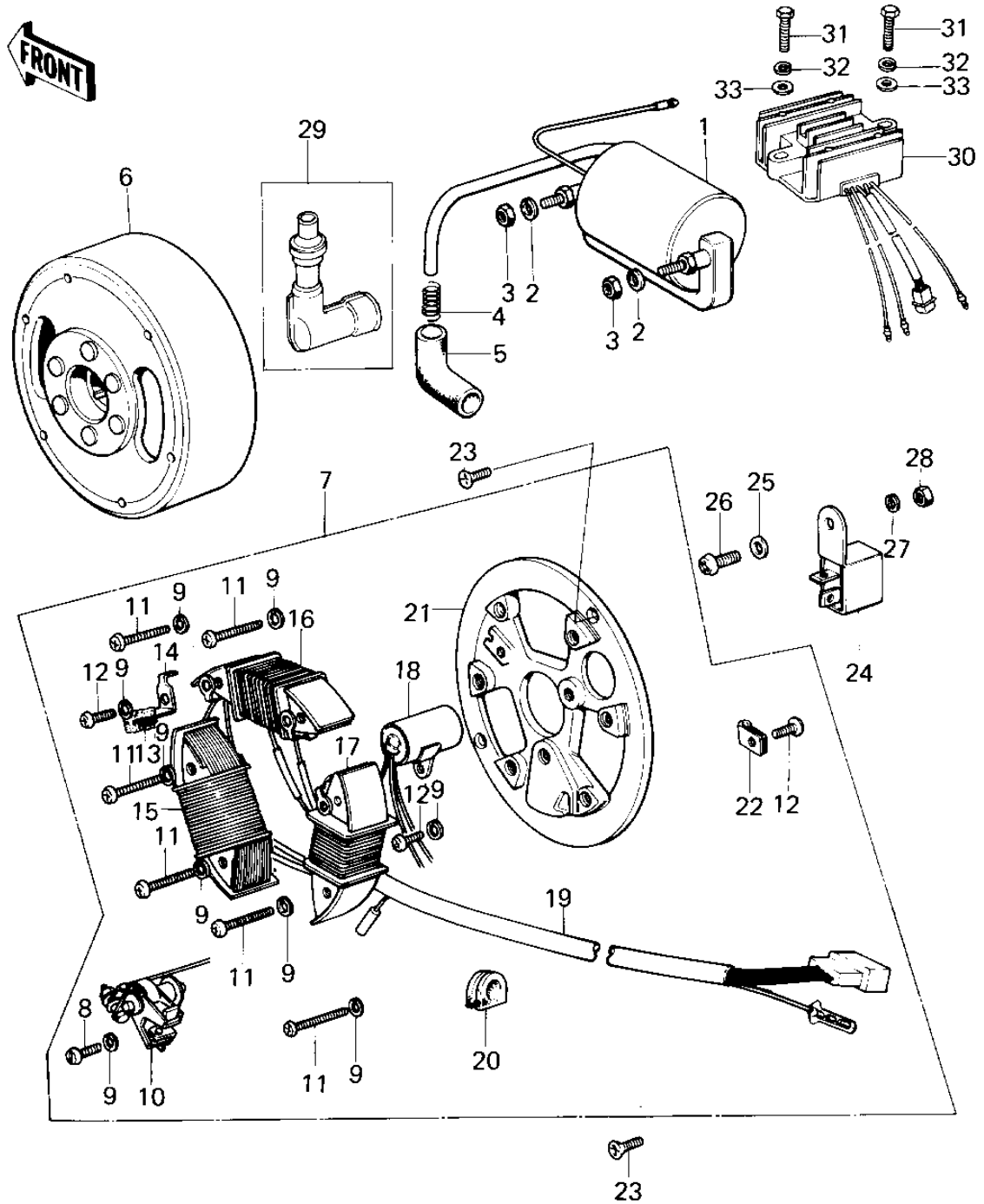


1977 KM100-A2 PARTS DIAGRAM

IGNITION/GENERATOR



1977 KM100-A2 PARTS LIST

IGNITION/GENERATOR

ITEM NAME	PART NUMBER	QUANTITY
COIL,IGNITION (Ref # 1)	21121-1047	
WASHER SPRING 6MM (Ref # 2)	461F0600	
NUT 6MM (Ref # 3)	311B0600	
NUT (Ref # 3)	92019-008	
SPRING-SPARK PLUG CAP (Ref # 4)	92101-001	
CAP SPARK PLUG (Ref # 5)	21130-009	
FLYWHEEL (Ref # 6)	21050-016	
FLYWHEEL,MAGNETO (Ref # 6)	21050-1008	
STATOR ASSY (Ref # 7)	21003-025	
STATOR ASSY (Ref # 7)	21003-1014	
SCREW-PAN-CRSOSS,4X12 (Ref # 8)	220B0412	
WASHER SPRING 4MM (Ref # 9)	461F0400	
BREAKER ASSY CONTACT (Ref # 10)	21008-006	
SCREW PAN HEAD 4X30 (Ref # 11)	220E0430	
SCREW PAN HEAD 4X6 (Ref # 12)	220B0406	
FELT OIL (Ref # 13)	21019-005	
HOLDER,OIL FELT (Ref # 14)	21038-002	
COIL,LIGHTING (Ref # 15)	21047-1007	
COIL,CHARGING B (Ref # 15)	59031-1002	
COIL A LIGHTING (Ref # 16)	21047-019	
COIL,CHARGING A (Ref # 16)	59031-1001	
COIL,EXCITING (Ref # 17)	21049-1004	
COIL,EXCITING (Ref # 17)	21049-1004	
CONDENSER (Ref # 18)	21013-006	
WIRING HARNESS,MAGNT (Ref # 19)	21029-028	
WIRING HARNESS,MAGNET (Ref # 19)	26001-1077	
GROMMET WIRING HARN (Ref # 20)	21017-002	
PLATE-COIL,MAGNETO (Ref # 21)	21048-1002	
CLAMP WIRING HARNESS (Ref # 22)	21037-002	

1977 KM100-A2 PARTS LIST

IGNITION/GENERATOR

ITEM NAME	PART NUMBER	QUANTITY
SCREW CNTSNK HD 6X14 (Ref # 23)	221B0614	
RECTIFIER (Ref # 24)	21061-015	
WASHER PLAIN 5MM (Ref # 25)	411B0500	
SCREW PAN HEAD 5X10 (Ref # 26)	220B0510	
WASHER SPRING 5MM (Ref # 27)	461F0500	
NUT,5MM (Ref # 28)	311B0500	
CAP, SPARK PLUG (Ref # 29)	21160-005	
REGULATOR,VOLTAGE (Ref # 30)	21066-1012	
REGULATOR,VOLTAGE (Ref # 30)	21066-1012	
BOLT-UPSET (Ref # 31)	112G0625	
WASHER SPRING 6MM (Ref # 32)	461F0600	
WASHER PLAIN 6MM (Ref # 33)	411B0600	