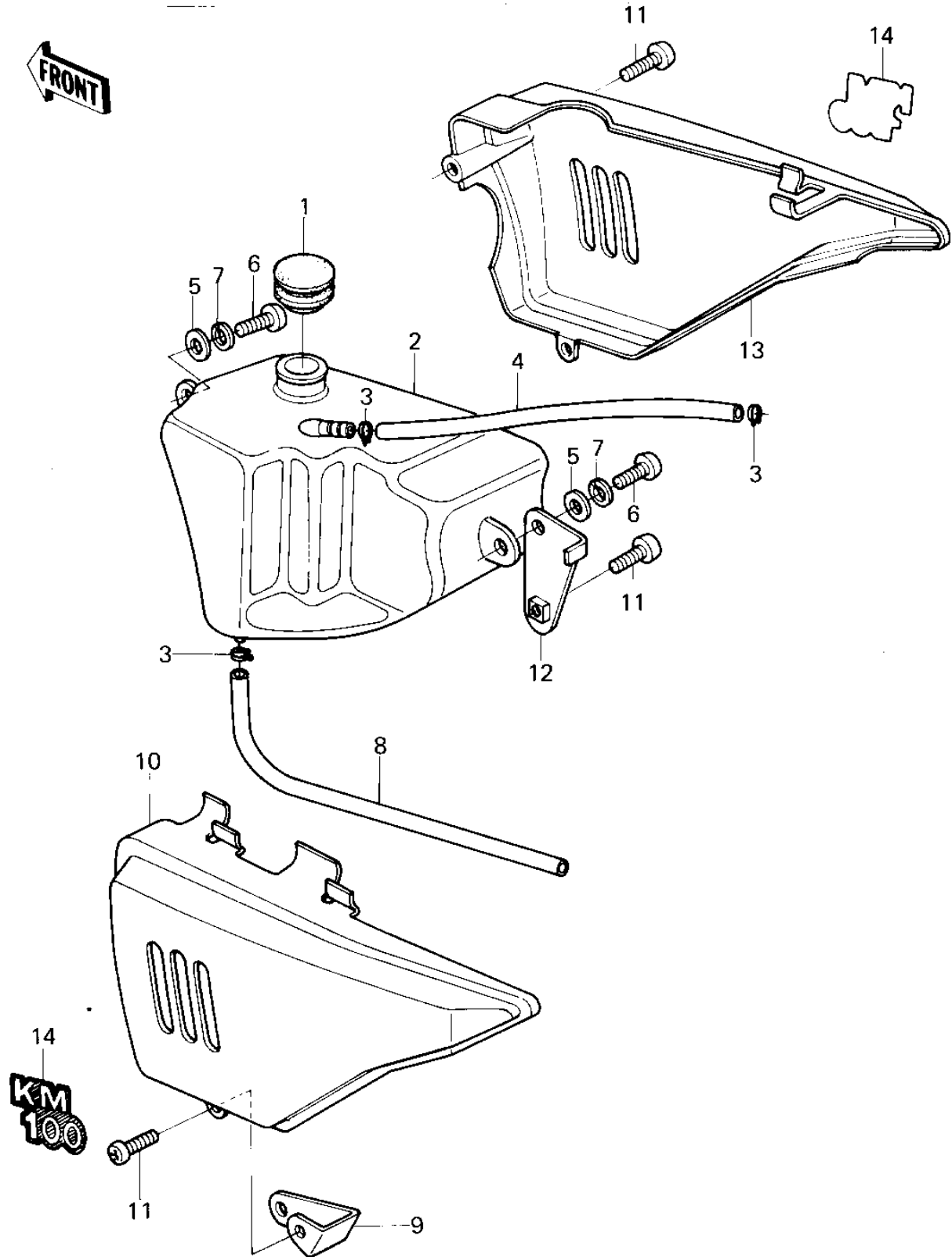


1981 KM100 PARTS DIAGRAM

SIDE COVERS/OIL TANK (KM100-A6/A7)



1981 KM100 PARTS LIST

SIDE COVERS/OIL TANK (KM100-A6/A7)

| ITEM NAME | PART NUMBER | QUANTITY |
|----------------------------------|---------------|----------|
| CAP,OIL TANK (Ref # 1) | 52003-024 | 1 |
| TANK,OIL (Ref # 2) | 52001-1005 | 1 |
| CLAMP FUEL PIPE (Ref # 3) | 92037-010 | 3 |
| TUBE-VINYL,5X400 (Ref # 4) | 700Q05400 | 1 |
| WASHER 6.5X20X1.6T (Ref # 5) | 92022-125 | 3 |
| SCREW PAN HEAD 6X16 (Ref # 6) | 220B0616 | 3 |
| WASHER SPRING 6MM (Ref # 7) | 461F0600 | 3 |
| TUBE,4.5X9X380 (Ref # 8) | 92059-1691 | 1 |
| BRACKET,L.H.SIDE COVR (Ref # 9) | 11034-1620 | 1 |
| COVER,L.H.SIDE,YELLOW (Ref # 10) | 36001-1083-6R | 1 |
| COVER,L.H.SIDE,F.RED (Ref # 10) | 36001-1083-6L | 1 |
| COVER,L.H.SIDE,F.RED (Ref # 10) | 36001-1083-6L | 1 |
| COVER-SIDE,LH,S.B.YLW (Ref # 10) | 36001-1083-6G | 1 |
| SCREW,6X14 (Ref # 11) | 92009-1287 | 3 |
| BRACKET,R.H.SIDE COVR (Ref # 12) | 11034-1621 | 1 |
| COVER,R.H.SIDE,YELLOW (Ref # 13) | 36001-1084-6R | 1 |
| COVER,R.H.SIDE,F.RED (Ref # 13) | 36001-1084-6L | 1 |
| COVER,R.H.SIDE,F.RED (Ref # 13) | 36001-1084-6L | 1 |
| COVER-SIDE,RH,S.B.YLW (Ref # 13) | 36001-1084-6G | 1 |
| EMBLEM,SIDE COVER (Ref # 14) | 56018-1141 | 2 |