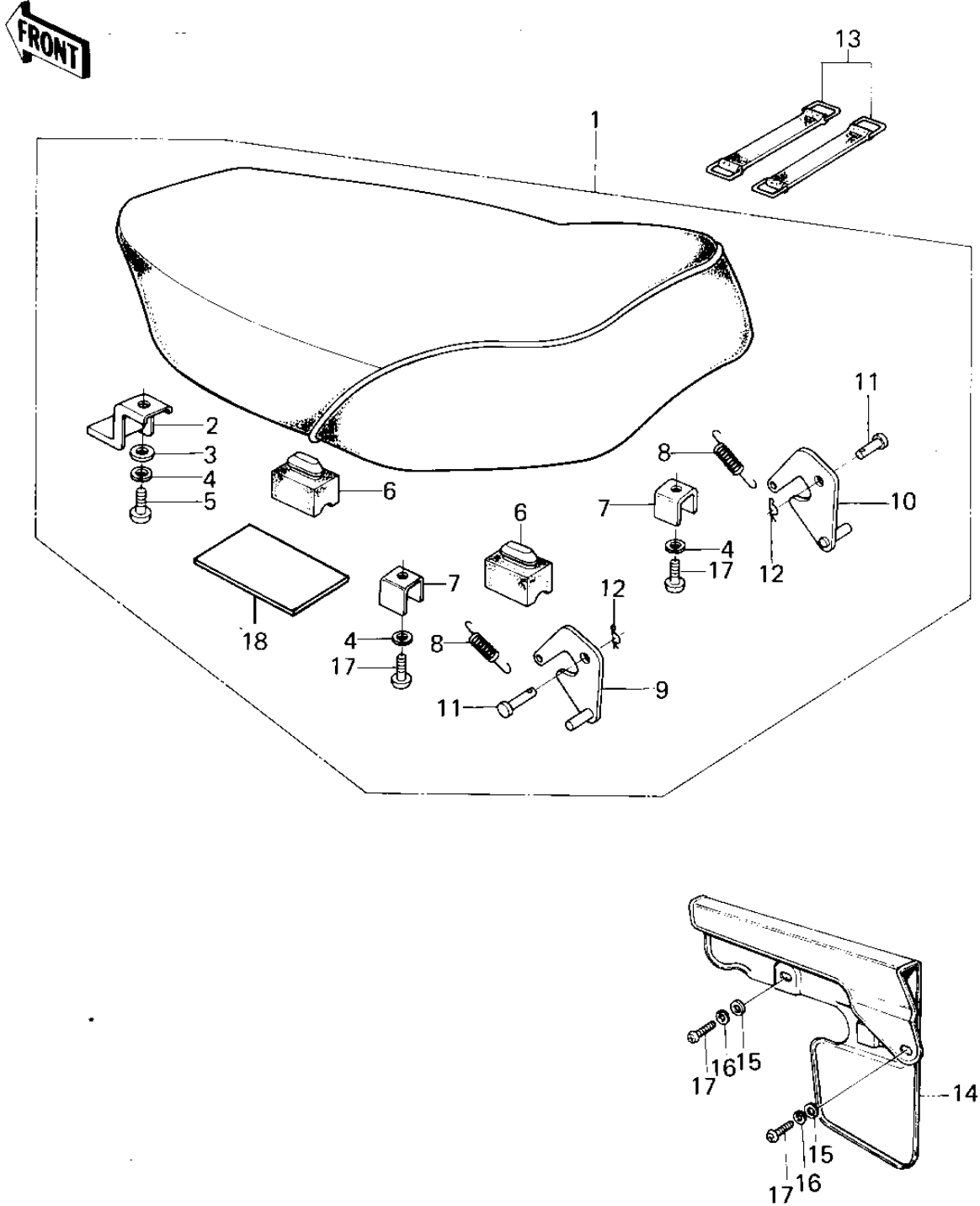


1978 KM100-A3A PARTS DIAGRAM

SEAT/CHAIN COVER



1978 KM100-A3A PARTS LIST

SEAT/CHAIN COVER

ITEM NAME	PART NUMBER	QUANTITY
SEAT-ASSY (Ref # 1)	53001-1018	
SEAT-ASSY (Ref # 1)	53001-1018	
SEAT-ASSY (Ref # 1)	53001-1460	
BRACKET,SEAT (Ref # 2)	53032-004	
WASHER 6.5X20X1.6T (Ref # 3)	92022-125	
WASHER SPRING 6MM (Ref # 4)	461F0600	
SCREW PAN HEAD 6X14 (Ref # 5)	220B0614	
DAMPER RUBBER (Ref # 6)	92075-099	
SPRING,SEAT HOOK (Ref # 7)	53012-012	
SPRING,HOOK (Ref # 8)	53012-013	
HOOK,L.H SEAT (Ref # 9)	53008-031	
HOOK,R.H SEAT (Ref # 10)	53008-032	
PIN DUAL SEAT PIVOT (Ref # 11)	53011-001	
COTTER PIN (Ref # 12)	92041-003	
BAND,TOOL (Ref # 13)	92072-066	
CASE-CHAIN (Ref # 14)	36014-1024	
CASE-CHAIN (Ref # 14)	36014-1024	
WASHER PLAIN 6MM (Ref # 15)	411B0600	
WASHER SPRING 6MM (Ref # 16)	461F0600	
SCREW PAN HEAD 6X12 (Ref # 17)	220B0612	
DAMPER RUBBER,BATTERY (Ref # 18)	92075-224	