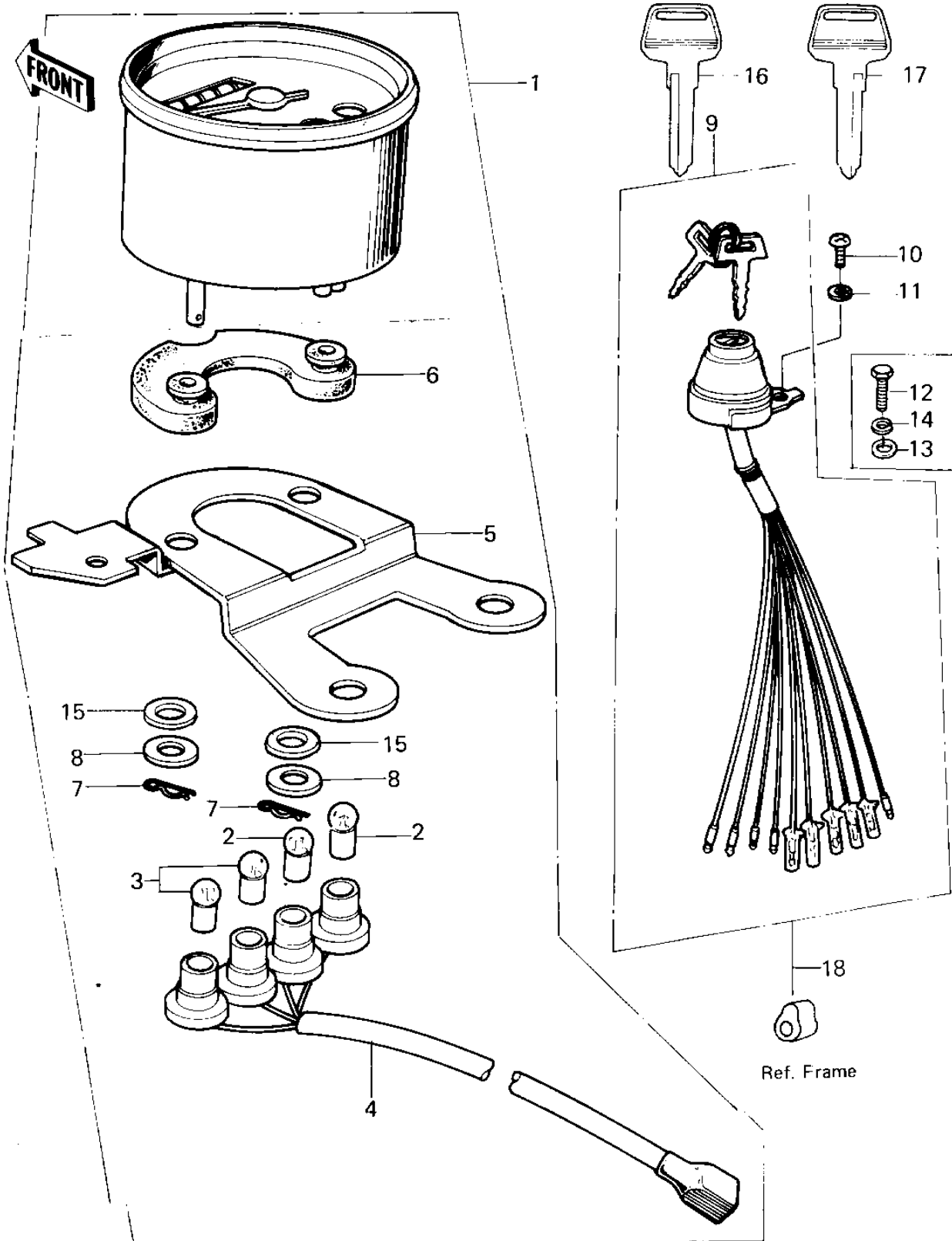


1978 KM100-A3A PARTS DIAGRAM

METERS/IGNITION SWITCH



1978 KM100-A3A PARTS LIST

METERS/IGNITION SWITCH

ITEM NAME	PART NUMBER	QUANTITY
SPEEDOMETER ASSY,MPH (Ref # 1)	25001-090	
SPEEDOMETER ASSY,MPH (Ref # 1)	25001-1107	
SPEEDOMETER ASSY,MPH (Ref # 1)	25001-1107	
SPEEDOMETER ASSY,KPH (Canada) (Ref # 1)	25001-106	
SPEEDOMETER ASSY,KPH (Canada) (Ref # 1)	25001-1066	
BULB-6V 3W (Ref # 2)	92069-053	
BULB 6V 1.5W (Ref # 3)	92069-024	
SOCKET,SPEEDOMETER (Ref # 4)	25011-035	
BRACKET,SPEEDOMETER (Ref # 5)	25008-040	
BRACKET,SPEEDOMETER (Ref # 5)	25008-1010	
DAMPER RUBBER,SPDMETR (Ref # 6)	25019-017	
PIN,COTER (Ref # 7)	92041-006	
WASHER,PLAIN,6MM (Ref # 8)	92022-263	
SWITCH ASSY,IGNITION (Ref # 9)	27005-074	
SWITCH ASSY,IGNITION (Ref # 9)	27005-081	
SWITCH ASSY,IGNITION (Ref # 9)	27005-1006	
SWITCH ASSY,IGNITION (Ref # 9)	27005-1013	
SCREW PAN HEAD 6X12 (Ref # 10)	220B0612	
WASHER SPRING 6MM (Ref # 11)	461F0600	
BOLT 6X22 (Ref # 12)	112B0622	
WASHER PLAIN (Ref # 13)	92022-024	
WASHER SPRING 6MM (Ref # 14)	461F0600	
DAMPER RUBBER (Ref # 15)	92075-1104	
KEY,BLANK (Ref # 16)	27008-1024	
KEY,BLANK (Ref # 17)	27008-1025	
LOCK ASSY (Ref # 18)	27004-5087	
LOCK ASSY (Ref # 18)	27004-5087	