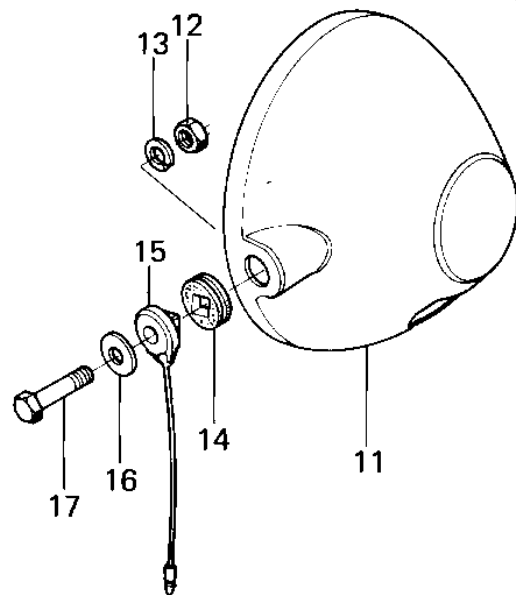
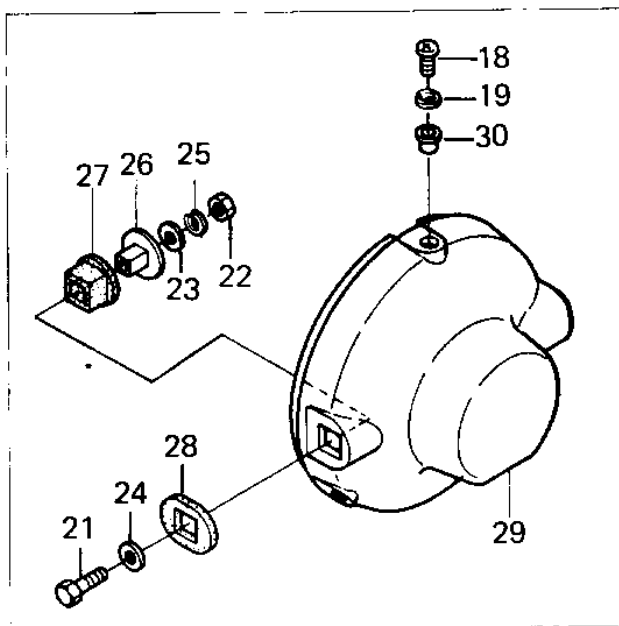
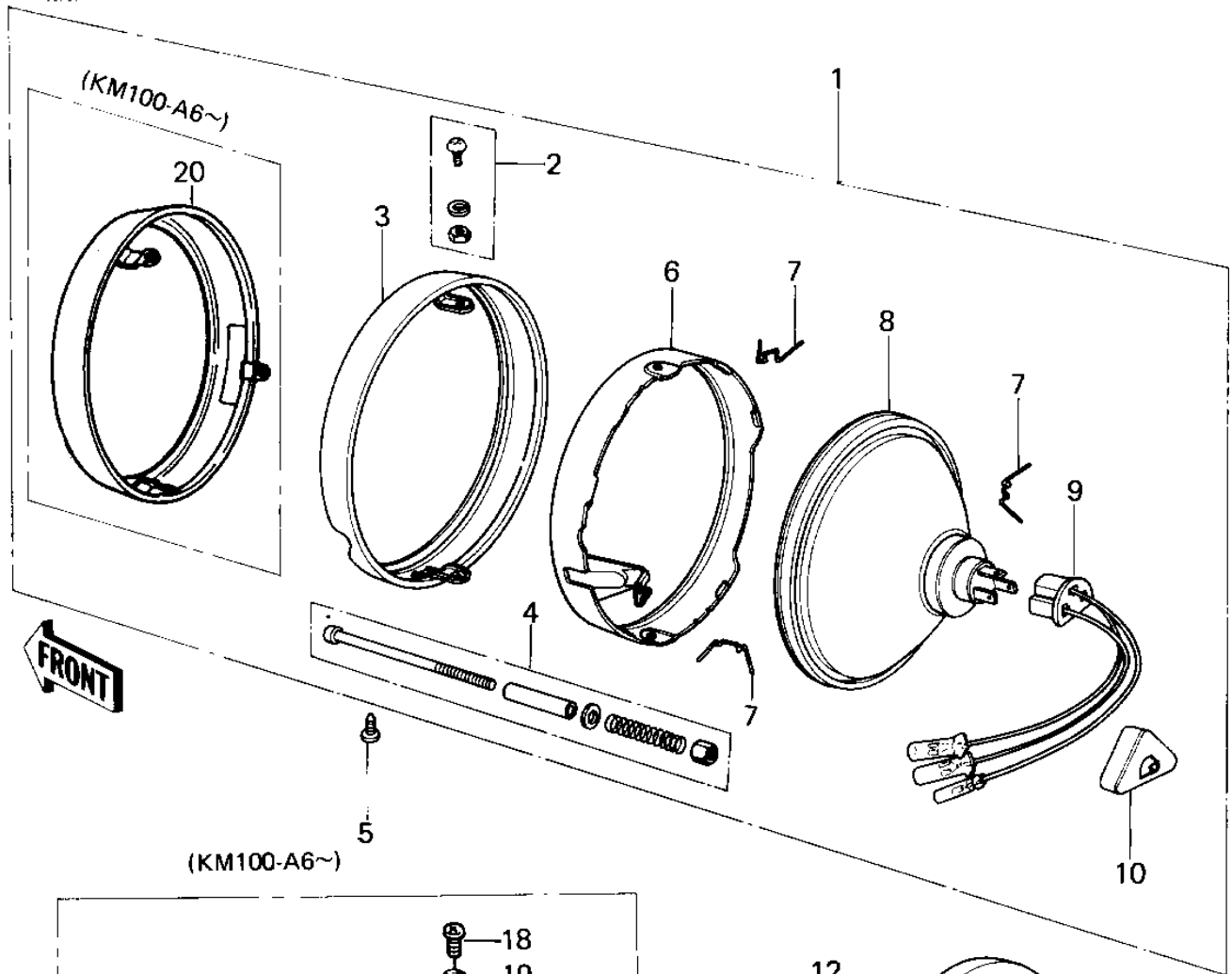


# 1977 KM100-A2 PARTS DIAGRAM

## HEADLIGHT



# 1977 KM100-A2 PARTS LIST

## HEADLIGHT

ITEM NAME	PART NUMBER	QUANTITY
LAMP UNIT,HEAD (Ref # 1)	23003-024	
LAMP UNIT,HEAD (Ref # 1)	23004-1030	
SCREW SET,LENS UNIT (Ref # 2)	23013-007	
RIM,HEAD LAMP (Ref # 3)	23006-042	
SCREW ASSY,FOCUS AJST (Ref # 4)	23013-5001	
SCREW,PAN HEAD,5X14 (Ref # 5)	23019-025	
RETAINER,SEALED BEAM (Ref # 6)	23072-002	
CLAMP,HEAD LAMP LENS (Ref # 7)	23009-015	
SEALED BEAM UNIT (Ref # 8)	23007-055	
SOCKET ASSY,HD LIGHT (Ref # 9)	23008-044	
SOCKET ASSY,HD LIGHT (Ref # 9)	23008-044	
COVER,HD LAMP SOCKET (Ref # 10)	23081-001	
BODY,HEAD LAMP,BLACK (Ref # 11)	23005-049-21	
NUT,10MM (Ref # 12)	314B1000	
WASHER SPRING 10MM (Ref # 13)	461F1000	
DAMPER RUBBER (Ref # 14)	23066-010	
COLLAR (Ref # 15)	23076-002	
WASHER-PLAIN,10MM (Ref # 16)	411D1000	
BOLT,HEX HEAD,10X30 (Ref # 17)	92007-041	
SCREW PAN HEAD 5X12 (Ref # 18)	220B0512	
WASHER SPRING 6MM (Ref # 19)	461F0600	
RIM,HEAD LAMP (Ref # 20)	23006-1004	
BOLT-SMALL,8X32 (Ref # 21)	114N0832	
NUT,8MM (Ref # 22)	311B0800	
WASHER PLAIN 8MM (Ref # 23)	411B0800	
WASHER,PLAIN,8MM (Ref # 24)	411D0800	
WASHER SPRING 8MM (Ref # 25)	461F0800	
COLLAR,HEAD LAMP (Ref # 26)	92027-1105	
DAMPER RUBBER,HD LAMP (Ref # 27)	92075-1077	

## 1977 KM100-A2 PARTS LIST

### HEADLIGHT

ITEM NAME	PART NUMBER	QUANTITY
DAMPER RUBBER,HD LAMP (Ref # 28)	92075-1078	
BODY,HEAD LAMP,BLACK (Ref # 29)	23005-1007-6Z	
WASHER (Ref # 30)	23021-010	