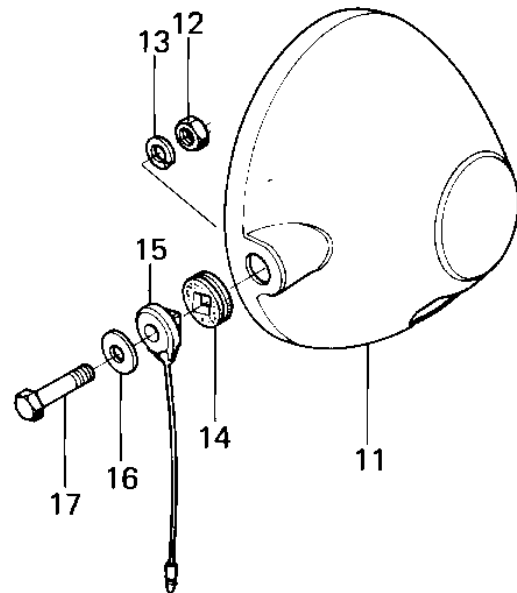
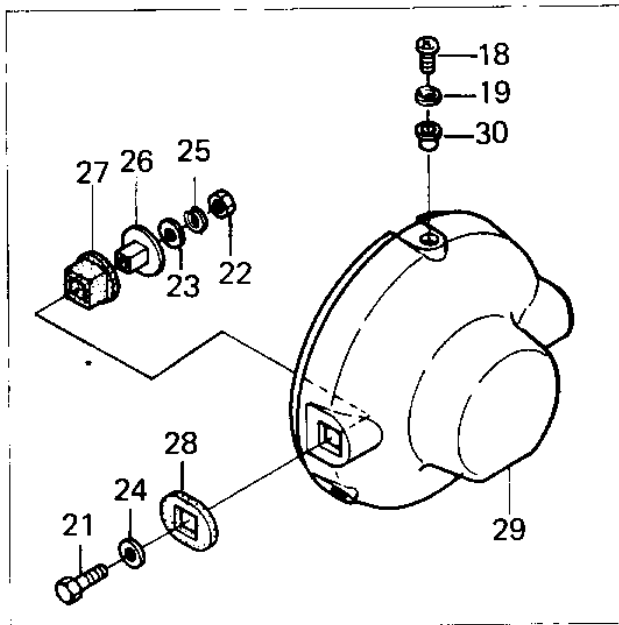
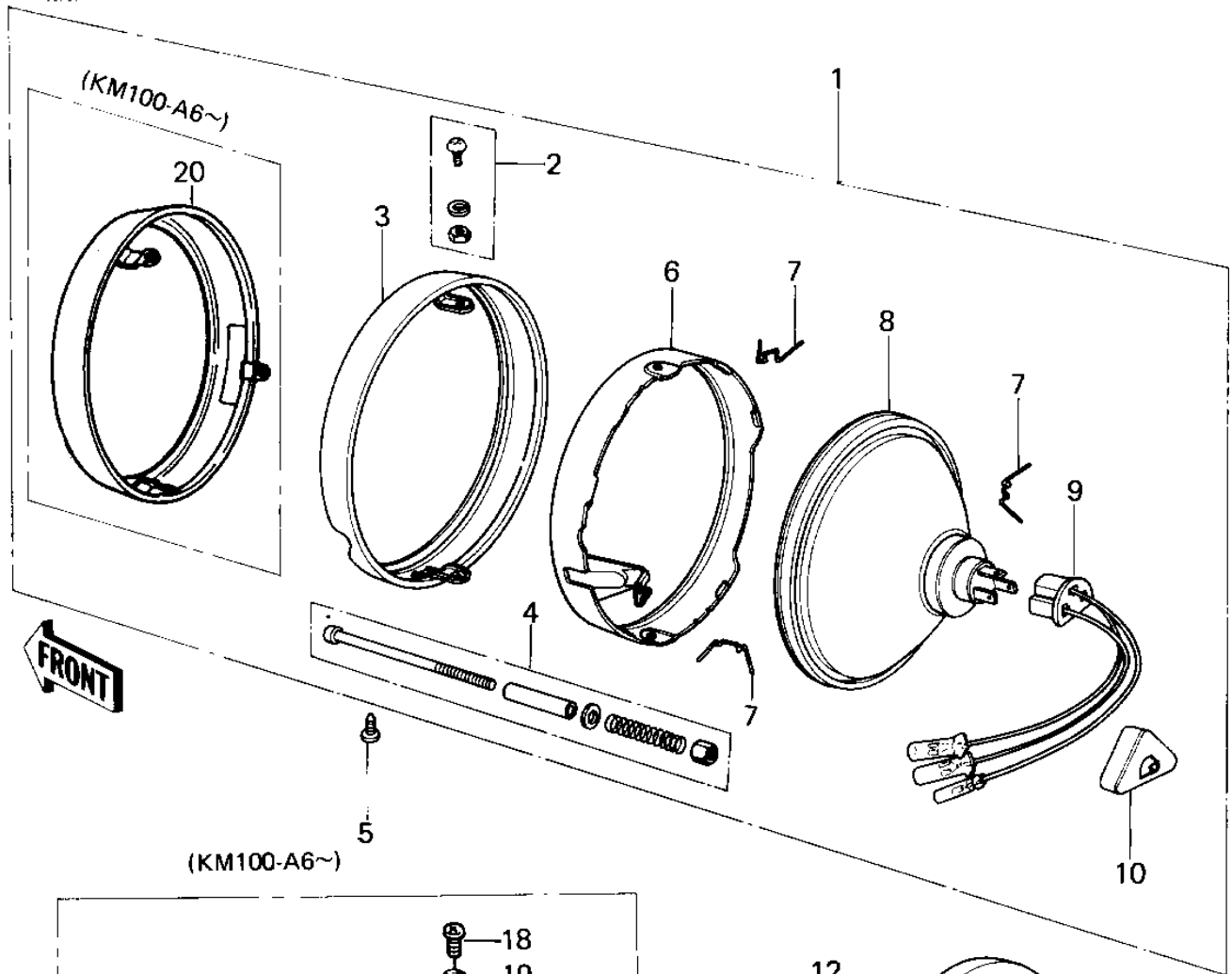


# 1981 KM100 PARTS DIAGRAM

## HEADLIGHT



# 1981 KM100 PARTS LIST

## HEADLIGHT

ITEM NAME	PART NUMBER	QUANTITY
LAMP UNIT,HEAD (Ref # 1)	23003-024	1
LAMP UNIT,HEAD (Ref # 1)	23004-1030	1
SCREW SET,LENS UNIT (Ref # 2)	23013-007	2
RIM,HEAD LAMP (Ref # 3)	23006-042	1
SCREW ASSY,FOCUS AJST (Ref # 4)	23013-5001	1
SCREW,PAN HEAD,5X14 (Ref # 5)	23019-025	1
RETAINER,SEALED BEAM (Ref # 6)	23072-002	1
CLAMP,HEAD LAMP LENS (Ref # 7)	23009-015	3
SEALED BEAM UNIT (Ref # 8)	23007-055	1
SOCKET ASSY,HD LIGHT (Ref # 9)	23008-044	1
SOCKET ASSY,HD LIGHT (Ref # 9)	23008-044	1
COVER,HD LAMP SOCKET (Ref # 10)	23081-001	1
BODY,HEAD LAMP,BLACK (Ref # 11)	23005-049-21	1
NUT,10MM (Ref # 12)	314B1000	2
WASHER SPRING 10MM (Ref # 13)	461F1000	2
DAMPER RUBBER (Ref # 14)	23066-010	2
COLLAR (Ref # 15)	23076-002	2
WASHER-PLAIN,10MM (Ref # 16)	411D1000	2
BOLT,HEX HEAD,10X30 (Ref # 17)	92007-041	2
SCREW PAN HEAD 5X12 (Ref # 18)	220B0512	3
WASHER SPRING 6MM (Ref # 19)	461F0600	3
RIM,HEAD LAMP (Ref # 20)	23006-1004	1
BOLT-SMALL,8X32 (Ref # 21)	114N0832	2
NUT,8MM (Ref # 22)	311B0800	2
WASHER PLAIN 8MM (Ref # 23)	411B0800	2
WASHER,PLAIN,8MM (Ref # 24)	411D0800	2
WASHER SPRING 8MM (Ref # 25)	461F0800	2
COLLAR,HEAD LAMP (Ref # 26)	92027-1105	2
DAMPER RUBBER,HD LAMP (Ref # 27)	92075-1077	2

# 1981 KM100 PARTS LIST

## HEADLIGHT

ITEM NAME	PART NUMBER	QUANTITY
DAMPER RUBBER,HD LAMP (Ref # 28)	92075-1078	2
BODY,HEAD LAMP,BLACK (Ref # 29)	23005-1007-6Z	1
WASHER (Ref # 30)	23021-010	3