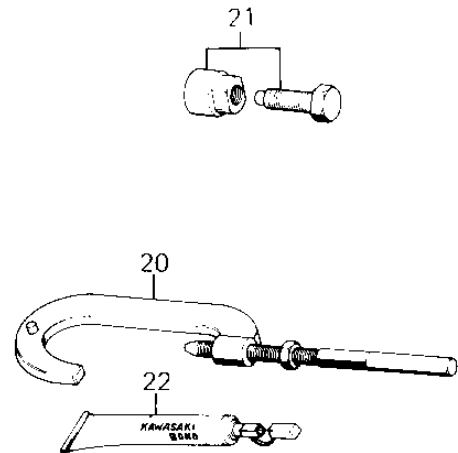
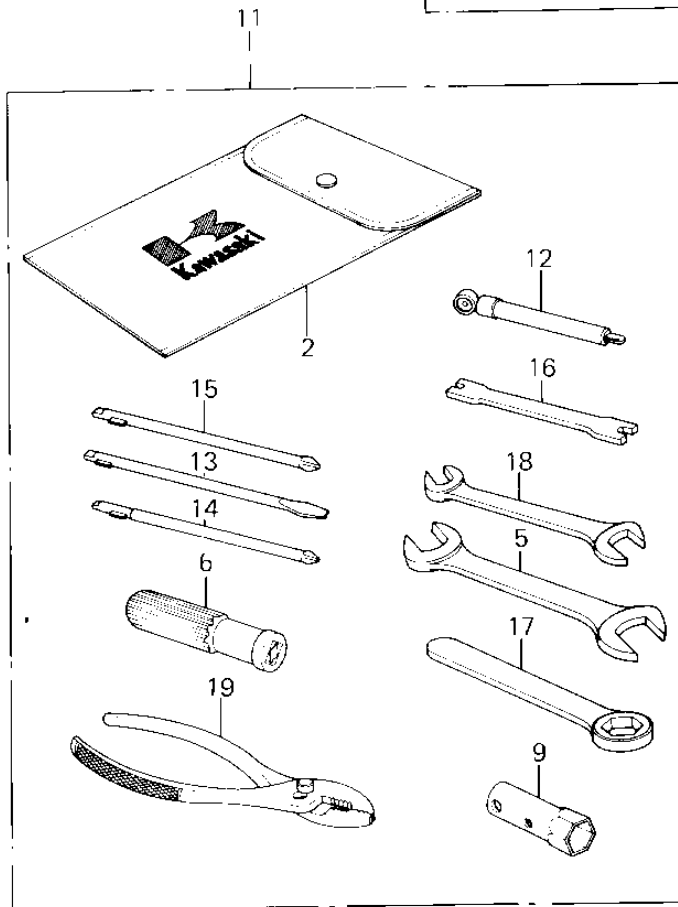
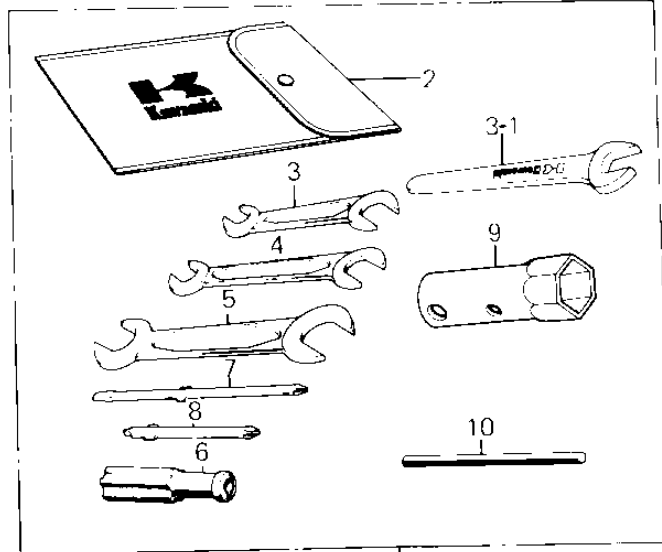


# 1977 KM100-A2 PARTS DIAGRAM

OWNER TOOLS/SPECIAL SERVICE TOOLS



# 1977 KM100-A2 PARTS LIST

## OWNER TOOLS/SPECIAL SERVICE TOOLS

ITEM NAME	PART NUMBER	QUANTITY
*** N.L.A.*** (Canada) (Ref # 1)	56007-035	
*** N.L.A.*** (Canada) (Ref # 1)	56007-1003	
TOOL KIT (Ref # 1)	56007-1046	
BAG,TOOL (Ref # 2)	56008-008	
BAG,TOOL (Ref # 2)	56008-1007	
BAG,TOOL (Ref # 2)	56008-008	
WRENCH,OPEN,8X10 (Ref # 3)	92126-001	
92110-1031 (Canada) (Ref # 3-1)	92110-1030	
WRENCH,OPEN END,12X13 (Ref # 4)	92126-002	
TOOL-WRENCH,OPEN END, (Ref # 5)	92110-1153	
TOOL-WRENCH,OPEN END, (Ref # 5)	92110-1153	
92106-1001 (Canada) (Ref # 6)	92106-002	
GRIP,SCREW DRIVER (Ref # 6)	92106-1001	
TOOL-DRIVER (Ref # 7)	92107-1052	
SCREW DRIVER #3 PHILIP (Ref # 8)	92107-005	
WRENCH,BOX,17X21 (Ref # 9)	92110-012	
92111-005 (Canada) (Ref # 10)	92111-007	
TOOL KIT (Ref # 11)	56007-1072	
GAUGE,AIR,3.5KG/CM2 (Ref # 12)	52005-1031	
92107-1052 (Canada) (Ref # 13)	92107-007	
TOOL-DRIVER (Ref # 14)	92107-1052	
92107-1002 (Canada) (Ref # 15)	92107-008	
TIGHTENER,SPOKE (Ref # 16)	92108-011	
TOOL-WRENCH,BOX END,2 (Ref # 17)	92110-1148	
TOOL-WRENCH,OPEN END (Ref # 18)	92110-1038	
PLIERS,160MM (Ref # 19)	92112-003	
57001-1243 (Canada) (Ref # 20)	56019-040	
57001-252 (Canada) (Ref # 21)	56019-033	
LIQUID GASKET (Ref # 22)	92104-002	