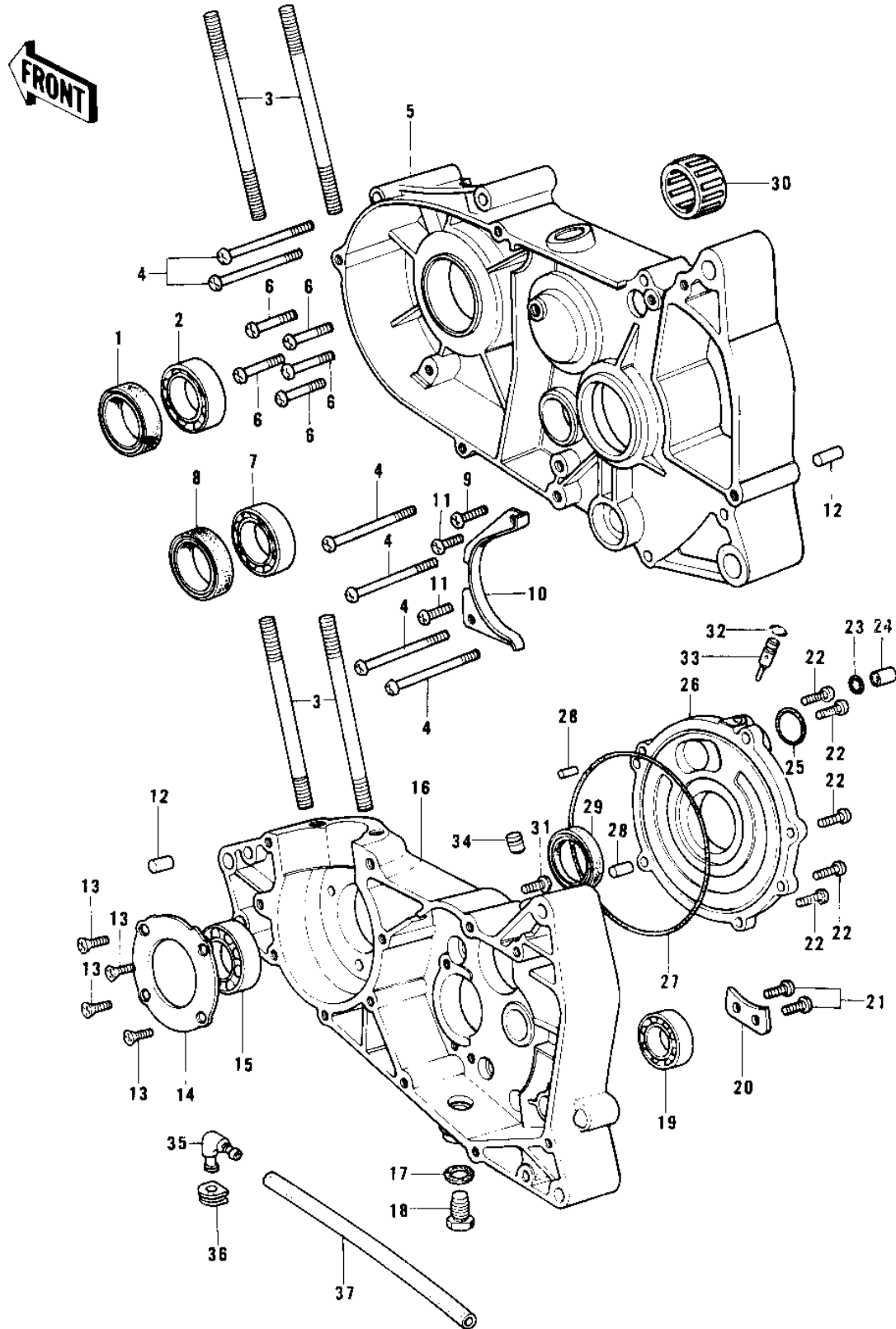


# 1979 KD125-A5 PARTS DIAGRAM

## CRANKCASE



# 1979 KD125-A5 PARTS LIST

## CRANKCASE

ITEM NAME	PART NUMBER	QUANTITY
SEAL-OIL (Ref # 1)	92049-1240	
BEARING BALL #6204 (Ref # 2)	601B6204	
STUD,8X70 (Ref # 3)	172G0870	
SCREW PAN HEAD 6X60 (Ref # 4)	220B0660	
SET-CRANKCASE,F.BLACK (Ref # 5)	14001-5149	
SET-CRANKCASE,F.BLACK (Ref # 5)	14001-5138	
SCREW PAN HEAD 6X40 (Ref # 6)	220B0640	
BEARING BALL #6004 (Ref # 7)	601B6004	
OIL SEAL SC25376 (Ref # 8)	92050-013	
SCREW PAN HEAD 6X20 (Ref # 9)	220B0620	
GUIDE,CHAIN (Ref # 10)	14077-003	
SCREW PAN HEAD 6X12 (Ref # 11)	220B0612	
PIN,DOWEL,10X8.2X14 (Ref # 12)	92043-1037	
SCREW CNTSNK HD 6X16 (Ref # 13)	221B0616	
PLATE,CRANK BEARING (Ref # 14)	14014-028	
BEARING BALL #6304 (Ref # 15)	601B6304	
CRANKCASE,R.H.,BLACK (Ref # 16)	14002-1040-21	
SET-CRANKCASE,F.BLACK (Ref # 16)	14001-5138	
GASKET-DRAIN PLUG (Ref # 17)	92065-073	
PLUG (Ref # 18)	92066-1240	
BEARING BALL #6203 (Ref # 19)	601B6203	
PLATE,MISSION BERNG (Ref # 20)	14014-029	
SCREW PAN HEAD 6X12 (Ref # 21)	220B0612	
SCREW PAN HEAD 6X20 (Ref # 22)	220B0620	
"O" RING,8MM (Ref # 23)	92055-029	
PIN,DOWEL (Ref # 24)	92042-037	
PIN DOWEL 8X16 (Ref # 24)	92042-017	
"O" RING,28MM (Ref # 25)	670B3028	
COVER,ROTARY DISC VLV (Ref # 26)	14019-052	

# 1979 KD125-A5 PARTS LIST

## CRANKCASE

ITEM NAME	PART NUMBER	QUANTITY
COVER,ROTARY DISC (Ref # 26)	14019-055	
"O" RING,VALVE COVER (Ref # 27)	92055-057	
PIN DOWEL 5X12 (Ref # 28)	610A0512	
SEAL-OIL (Ref # 29)	92049-1250	
BEARING,NEEDLE (Ref # 30)	92046-043	
SCREW PAN HEAD 6X25 (Ref # 31)	220B0625	
"O" RING (Ref # 32)	92055-080	
NOZZLE (Ref # 33)	92062-012	
RUBBER PLUG (Ref # 34)	92074-035	
BREATHER ASSY (Ref # 35)	14069-1001	
GROMMET (Ref # 36)	92071-042	
BREATHER ASSY (Ref # 37)	14069-1001	