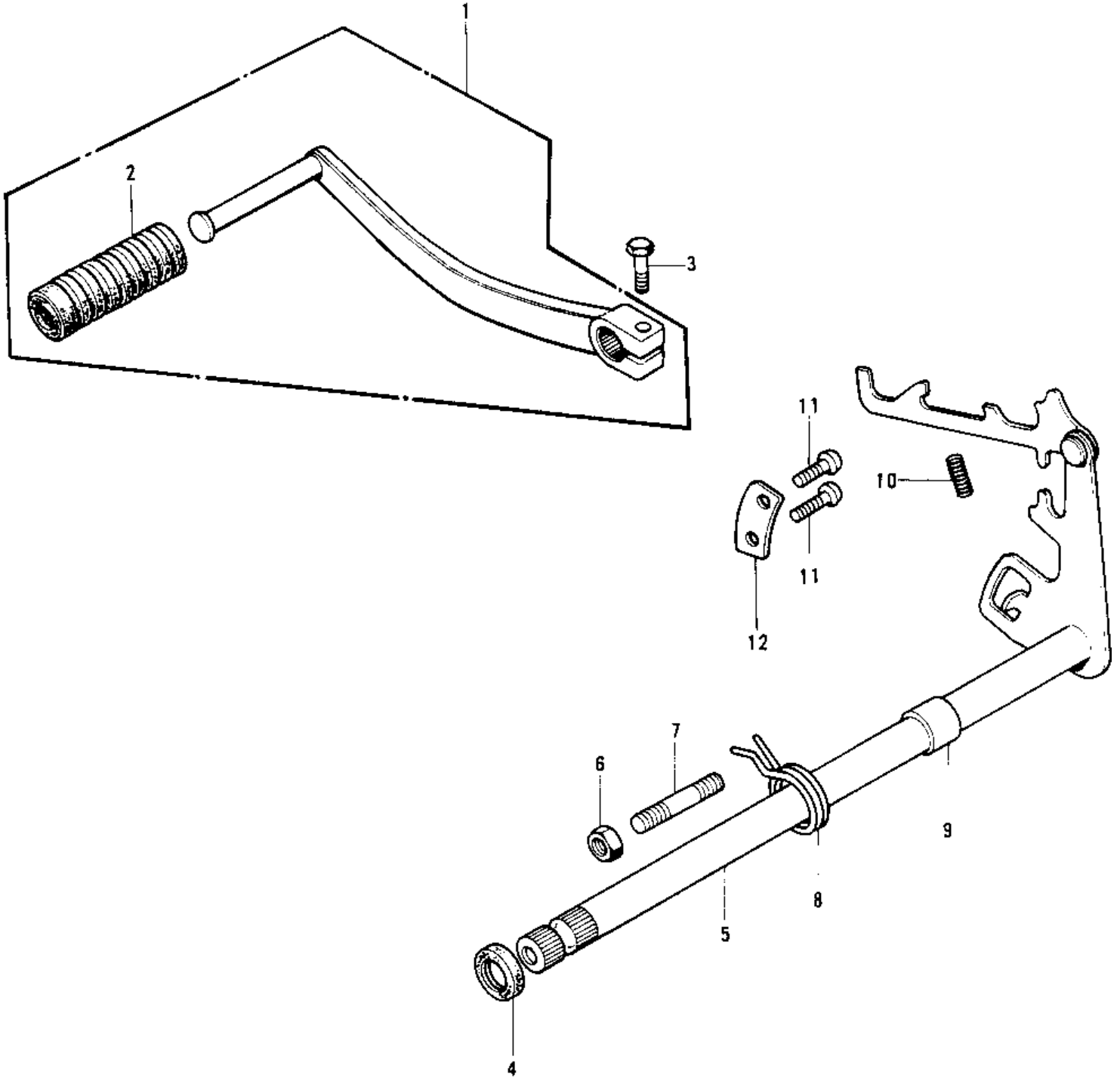


1976 KD125-A2 PARTS DIAGRAM

GEAR CHANGE MECHANISM



1976 KD125-A2 PARTS LIST

GEAR CHANGE MECHANISM

ITEM NAME	PART NUMBER	QUANTITY
LEVER-ASSY-CHANGE,PED (Ref # 1)	13242-1272	1
RUBBER CHANGE PEDAL (Ref # 2)	13157-004	1
BOLT-UPSET,6X20 (Ref # 3)	112G0620	1
SEAL-OIL (Ref # 4)	92049-1271	1
LEVER ASY,GEAR SHIFT (Ref # 5)	13161-040	1
NUT 8MM (Ref # 6)	312B0800	1
BOLT,RETURN SPRING (Ref # 7)	92001-1401	1
SPRING,CHG PEDL RTN (Ref # 8)	92083-021	1
SPRING,TENTION (Ref # 8)	92081-1129	1
SPRING,TENTION (Ref # 8)	92081-1129	1
COLLAR,GEAR CHNG LEV (Ref # 9)	92027-205	1
SPRING,KICK PAWL (Ref # 10)	92081-124	1
SCREW PAN HEAD 6X14 (Ref # 11)	220B0614	2
PLATE,CHNG DRUM PSTN (Ref # 12)	13169-013	1
PLATE CHNG DRUM PSTN (Ref # 12)	13169-002	1