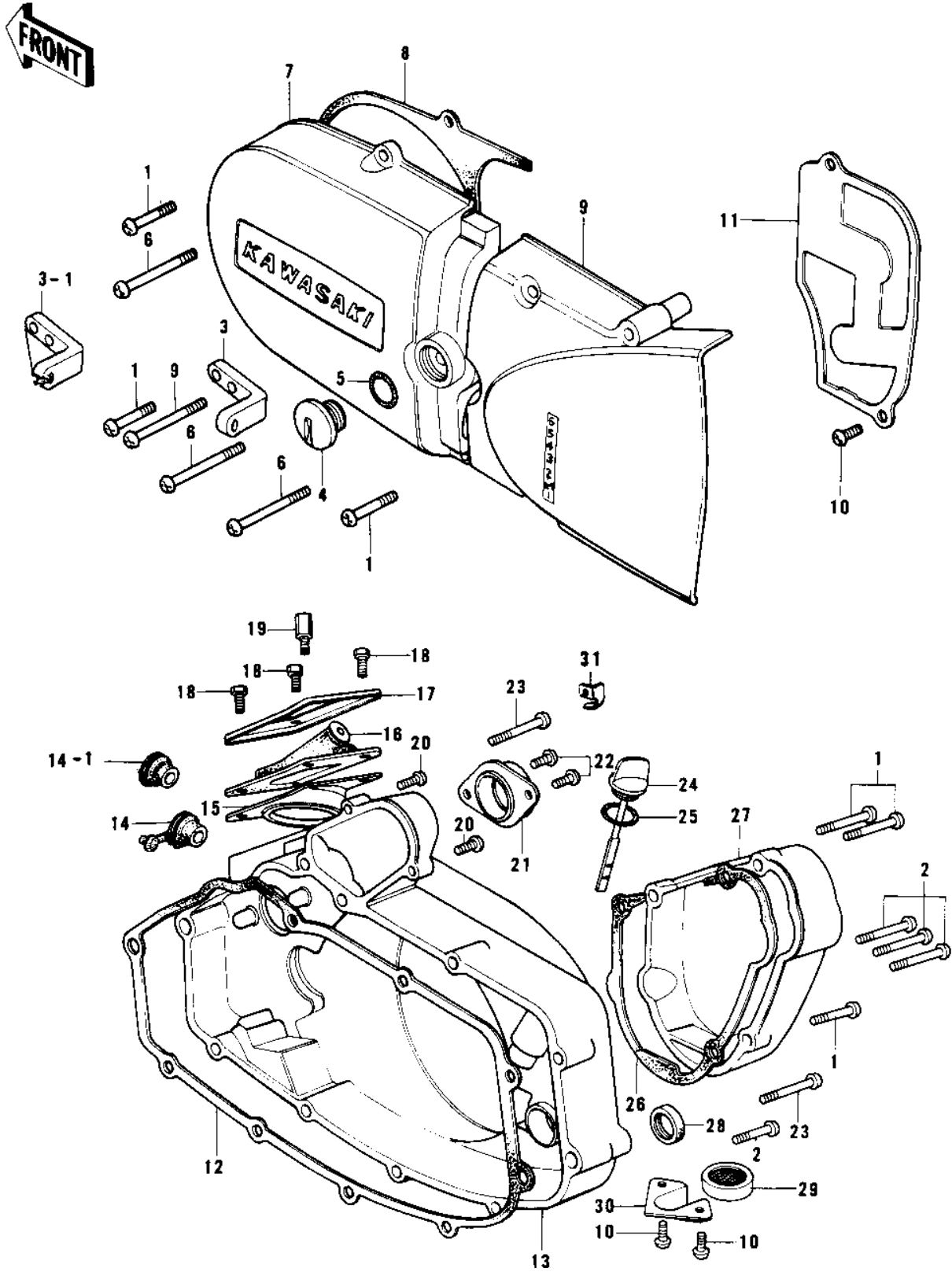


1976 KD125-A2 PARTS DIAGRAM

ENGINE COVERS



1976 KD125-A2 PARTS LIST

ENGINE COVERS

ITEM NAME	PART NUMBER	QUANTITY
SCREW PAN HEAD 6X20 (Ref # 1)	220B0620	6
SCREW PAN HEAD 6X20 (Ref # 1)	220B0620	8
SCREW PAN HEAD 6X30 (Ref # 2)	220B0630	7
HOLDER,WIRE GUIDE (Ref # 3)	14044-012	1
HOLDER,WIRE GUIDE (Ref # 3-1)	14044-012	1
PLUG,L.H ENG COVER (Ref # 4)	92067-017	1
"O" RING,16MM (Ref # 5)	670B2016	1
SCREW PAN HEAD 6X35 (Ref # 6)	220B0635	4
COVER,L.H.ENGINE (Ref # 7)	14031-1019-2H	1
COVER,L.H.ENGINE (Ref # 7)	14031-1019-2H	1
GASKET,L.H ENG COVER (Ref # 8)	14045-017	1
COVER,CHN CASE,BARREL (Ref # 9)	14026-020-2H	1
COVER,CHAIN CASE (Ref # 9)	14026-1007-2H	1
COVER,CHAIN CASE (Ref # 9)	14026-1007-2H	1
SCREW PAN HEAD 6X12 (Ref # 10)	220B0612	5
COVER,OIL PUMP (Ref # 11)	14030-060	1
GASKET,R.H ENG COVER (Ref # 12)	14046-029	1
COVER,R.H ENGINE,BUFF (Ref # 13)	14032-123-2H	1
COVER,R.H ENG,BARREL (Ref # 13)	14032-120-2H	1
COVER,R.H ENG,BARREL (Ref # 13)	14032-120-2H	1
COVER,R.H,ENGINE (Ref # 13)	14032-1010-2H	1
GROMMET,R.H ENG COV (Ref # 14)	92071-076	1
CAP CARB MOUNT HOLE (Ref # 14-1)	14039-001	1
CAP,CARBURETOR (Ref # 15)	14038-039	1
CAP,CARBURETOR (Ref # 16)	14038-042	1
HOLDER,CARBRETOR CAP (Ref # 17)	14065-007	1
BOLT-UPSET (Ref # 18)	112G0618	3
BOLT,CARBURETOR CAP (Ref # 19)	92001-130	1
UNAVAILABLE IN PRICE BOOK (Ref # 20)	214B0516A	3

1976 KD125-A2 PARTS LIST

ENGINE COVERS

ITEM NAME	PART NUMBER	QUANTITY
UNAVAILABLE IN PRICE BOOK (Ref # 20)	214B0516A	4
HOLDER,CARBURETOR (Ref # 21)	16065-033	1
SCREW PAN HEAD 6X12 (Ref # 22)	220B0612	2
SCREW PAN HEAD 6X45 (Ref # 23)	220B0645	2
PLUG,OIL FILLER (Ref # 24)	16115-020	1
"O" RING,20MM (Ref # 25)	670B2020	1
GASKET,CARB COVER (Ref # 26)	14048-005	1
GASKET,CARBURETOR COV (Ref # 26)	11009-1277	1
COVER,CARB.BARREL (Ref # 27)	14030-1006-2H	1
COVER,CARBURETOR,BARL (Ref # 27)	14030-071-2H	1
COVER,CARBURETOR,BARL (Ref # 27)	14030-071-2H	1
OIL SEAL SB16244 (Ref # 28)	92049-002	1
DRAIN,FUEL (Ref # 29)	16116-006	1
COVER,FUEL DRAIN (Ref # 30)	14076-006	1
GUIDE,CABLE (Ref # 31)	54030-012	1