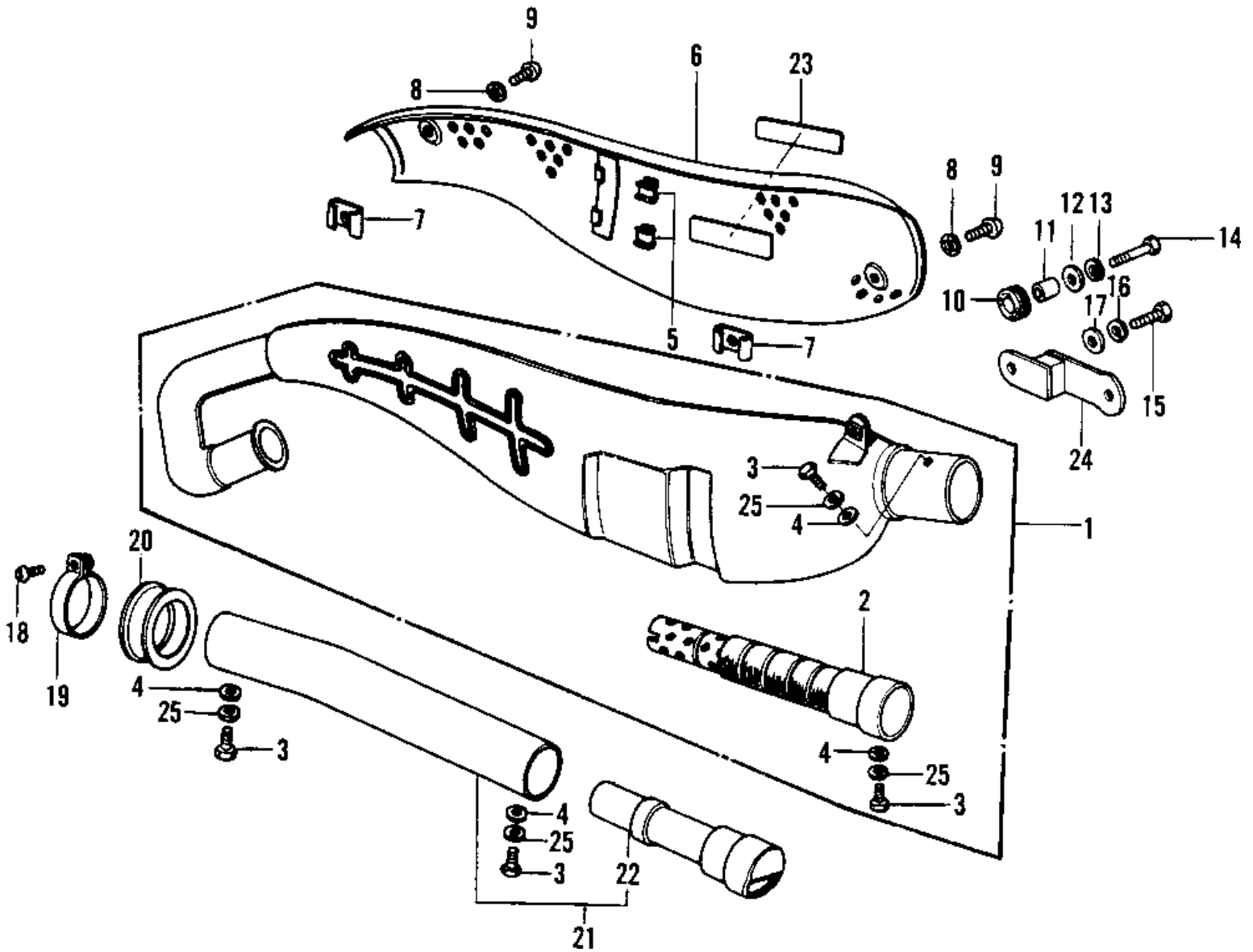


# 1978 KD125-A4 PARTS DIAGRAM

MUFFLER



# 1978 KD125-A4 PARTS LIST

## MUFFLER

ITEM NAME	PART NUMBER	QUANTITY
MUFFLER ASSY (Ref # 1)	18001-154	
MUFFLER ASSY (Ref # 1)	18001-154	
BAFFLE TUBE (Ref # 2)	18033-077	
BOLT-UPSET,6X12 (Ref # 3)	112G0612	
WASHER-PLAIN (Ref # 4)	92022-183	
WASHER OIL PUMP BANJO (Ref # 4)	92022-077	
INSULATOR (Ref # 5)	18065-007	
COVER,MUFFLER (Ref # 6)	18064-016	
COVER,MUFFLER (Ref # 6)	18064-016	
INSULATOR,HEAT (Ref # 7)	18065-010	
WASHER LOCK 6MM (Ref # 8)	463H0600	
SCREW PAN HEAD 6X12 (Ref # 9)	220B0612	
DAMPER RUBBER-MUFFLER (Ref # 10)	18063-005	
COLLAR (Ref # 11)	92027-102	
WASHER,8X26X2.3 (Ref # 12)	92022-1564	
WASHER SPRING 8MM (Ref # 13)	461F0800	
BOLT-SMALL-UPSET,8X30 (Ref # 14)	115G0830	
BOLT-UPSET,6X16 (Ref # 15)	112G0616	
BOLT,HEX HEAD,6X14 (Ref # 15)	92001-121	
WASHER SPRING 6MM (Ref # 16)	461F0600	
WASHER PLAIN 6MM (Ref # 17)	411B0600	
WASHER PLAIN 6MM (Ref # 17)	410B0600	
SCREW,PAN HEAD,5X30 (Ref # 18)	92011-032	
CLAMP,SPARK ARRESTOR (Ref # 19)	92037-122	
CONNECTOR,BAFFLETUBE (Ref # 20)	92093-1042	
ARRESTER,SPARK (Ref # 21)	18077-001	
BAFFLE TUBE,ARESTOR (Ref # 22)	18033-086	
EMBLEM,SIDE COVER (Ref # 23)	56018-219	
MARK,MUFFLER COVER (Ref # 23)	56018-1037	