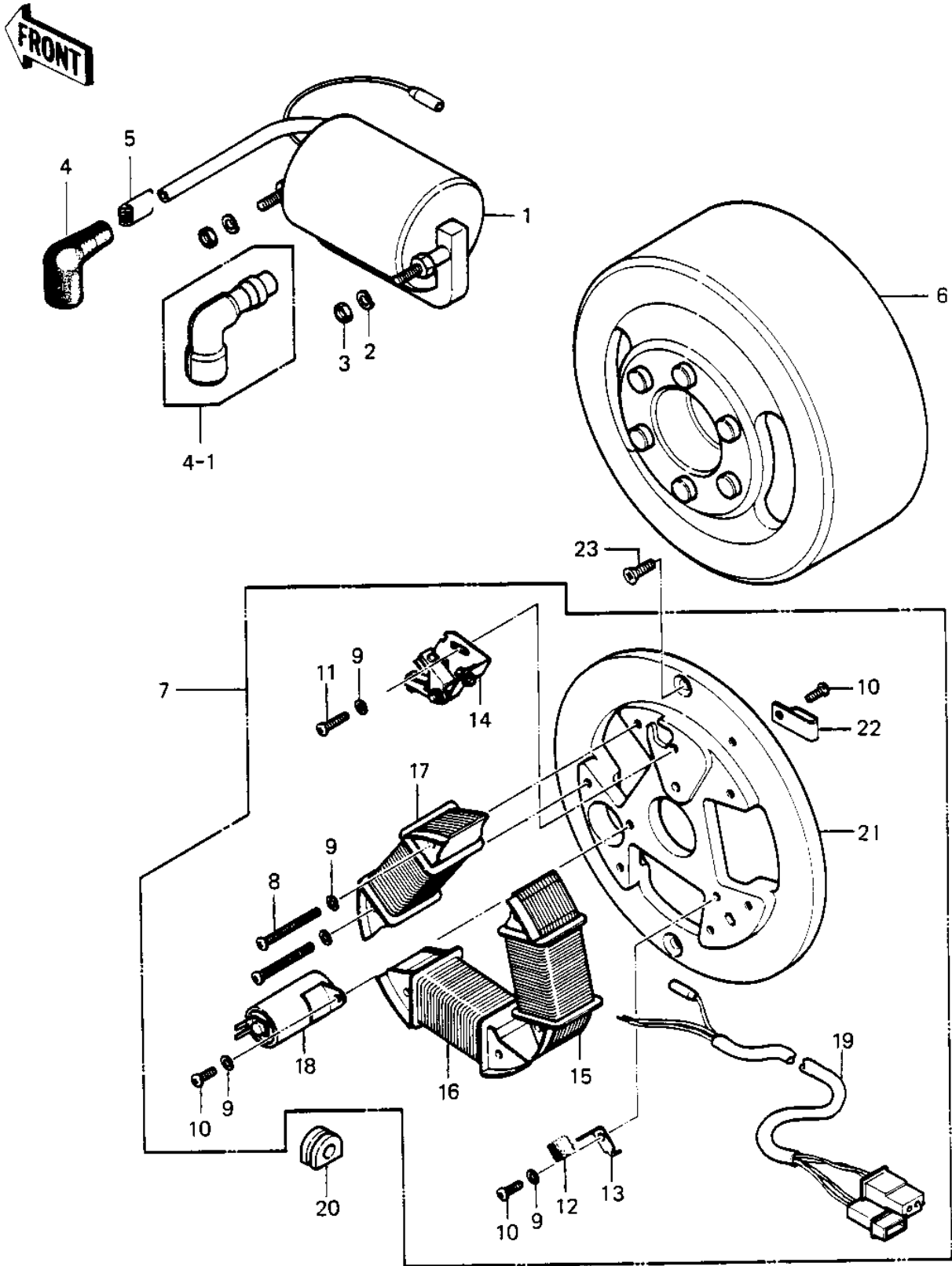


# 1976 KD125-A2 PARTS DIAGRAM

## IGNITION



# 1976 KD125-A2 PARTS LIST

## IGNITION

ITEM NAME	PART NUMBER	QUANTITY
COIL,IGNITION (Ref # 1)	21121-1047	1
COIL,IGNITION (Ref # 1)	21121-1047	AL
WASHER SPRING 6MM (Ref # 2)	461F0600	2
NUT 6MM (Ref # 3)	311B0600	2
CAP SPARK PLUG (Ref # 4)	21130-009	1
CAP,SPARK PLUG (Ref # 4-1)	21160-005	1
SPRING-SPARK PLUG CAP (Ref # 5)	92101-001	1
FLYWHEEL (Ref # 6)	21050-017	1
STATOR ASSY (Ref # 7)	21003-027	1
SCREW PAN HEAD 4X30 (Ref # 8)	220E0430	6
WASHER SPRING 4MM (Ref # 9)	461F0400	9
SCREW PAN HEAD 4X6 (Ref # 10)	220B0406	3
SCREW-PAN-CRSOSS,4X12 (Ref # 11)	220B0412	1
FELT OIL (Ref # 12)	21019-005	1
HOLDER,OIL FELT (Ref # 13)	21038-002	1
BREAKER ASSY CONTACT (Ref # 14)	21008-006	1
COIL A,LIGHTING (Ref # 15)	21047-022	1
COIL A LIGHTING (Ref # 16)	21047-019	1
COIL,EXCITING (Ref # 17)	21049-1004	1
COIL,EXCITING (Ref # 17)	21049-1004	1
CONDENSER (Ref # 18)	21013-006	1
WIRING HARNESS,MAGNT (Ref # 19)	21029-031	1
GROMMET WIRING HARN (Ref # 20)	21017-002	1
PLATE-COIL,MAGNETO (Ref # 21)	21048-1002	1
CLAMP WIRING HARNESS (Ref # 22)	21037-002	1
SCREW CNTSNK HD 6X14 (Ref # 23)	221B0614	2