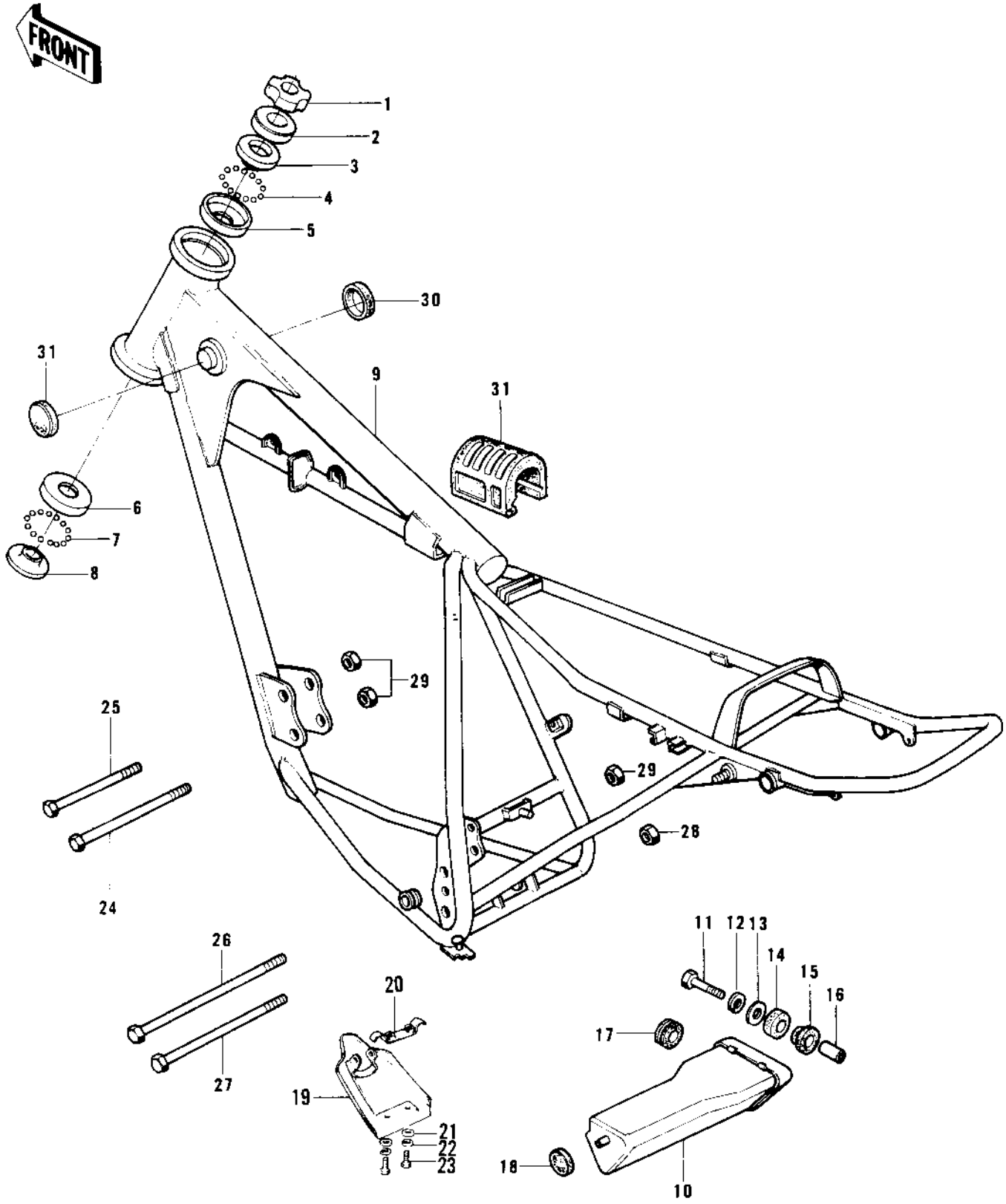


# 1979 KD125-A5 PARTS DIAGRAM

## FRAME/FRAME FITTINGS



# 1979 KD125-A5 PARTS LIST

## FRAME/FRAME FITTINGS

ITEM NAME	PART NUMBER	QUANTITY
NUT,STEERING STEM (Ref # 1)	92090-022	
CAP,STEERING STEM (Ref # 2)	46098-012	
CONE,STRG STM BRG,UP (Ref # 3)	92047-014	
BALL STEEL 3/16' (Ref # 4)	600A0600	
RACE,STRG STM BEARING (Ref # 5)	92048-009	
CONE STERNG BERG LOW (Ref # 6)	92047-010	
BALL STEEL 1/4' (Ref # 7)	600A0800	
RACE STEERING BEARING (Ref # 8)	92048-005	
FRAME (Ref # 9)	32002-099	
CASE,TOOL (Ref # 10)	32098-022	
BOLT-UPSET (Ref # 11)	112G0625	
WASHER SPRING 6MM (Ref # 12)	461F0600	
WASHER,PLAIN,7MM (Ref # 13)	92022-228	
DAMPER RUBBER (Ref # 14)	92075-175	
RUBBER,FENDER COVER (Ref # 15)	92075-174	
COLLAR,REAR FENDER (Ref # 16)	92027-162	
DAMPER RUBBER-OIL TNK (Ref # 17)	92075-150	
DAMPER RUBBER (Ref # 18)	92075-107	
GUARD,ENGINE (Ref # 19)	55011-020	
BRACKET,ENGINE GUARD (Ref # 20)	55016-008	
WASHER 6.5X20X1.6T (Ref # 21)	92022-125	
WASHER SPRING 6MM (Ref # 22)	461F0600	
BOLT-UPSET,6X16 (Ref # 23)	112G0616	
BOLT,HEX HEAD,8X65 (Ref # 24)	110B0865	
BOLT FLANGED,8X70 (Ref # 24)	92001-1583	
BOLT,HEX HEAD,8X65 (Ref # 25)	110B0865	
BOLT,HEX HEAD,10X130 (Ref # 26)	92001-1249	
BOLT,HEX HEAD,10X130 (Ref # 26)	92001-1249	
BOLT,HEX HEAD,10X117 (Ref # 27)	92001-1246	

# 1979 KD125-A5 PARTS LIST

## FRAME/FRAME FITTINGS

ITEM NAME	PART NUMBER	QUANTITY
BOLT,HEX HEAD,10X117 (Ref # 27)	92001-1246	
BOLT,FLANGED,10X115 (Ref # 27)	92001-1603	
BOLT,FLANGED,10X115 (Ref # 27)	92001-1603	
NUT,10MM (Ref # 28)	92015-1429	
NUT,LOCK,8MM (Ref # 29)	92017-013	
DAMPER RUBBER-FL TANK (Ref # 30)	92075-101	
DAMPER RUBBER,FL TNK (Ref # 31)	92075-215	
DAMPER RUBBER (Ref # 31)	92075-284	