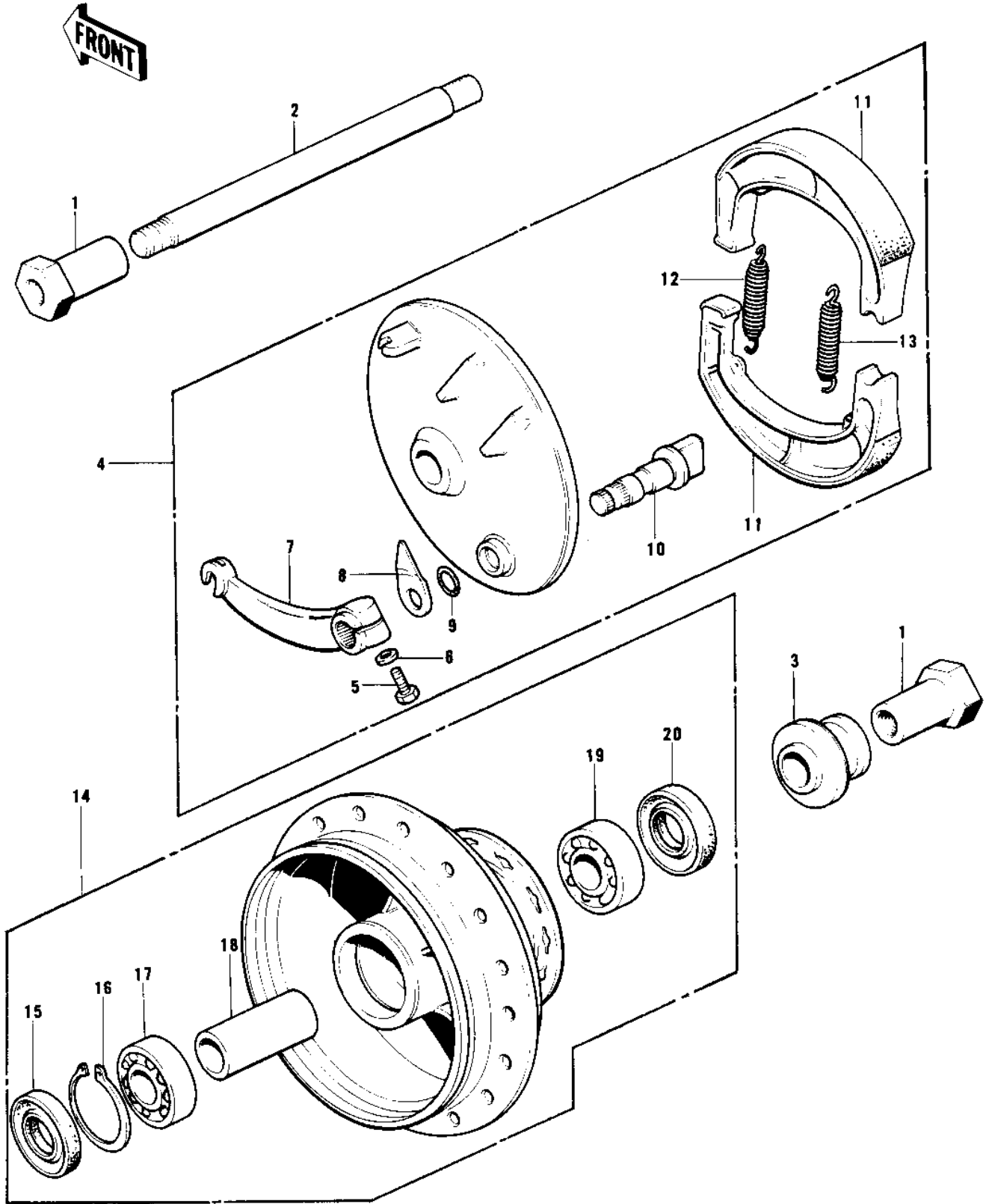


# 1978 KD125-A4 PARTS DIAGRAM

## FRONT HUB/BRAKE



# 1978 KD125-A4 PARTS LIST

## FRONT HUB/BRAKE

ITEM NAME	PART NUMBER	QUANTITY
COLLAR,FRONT AXLE (Ref # 1)	41069-024	
AXLE,FRONT (Ref # 2)	41068-043	
COLLAR,FRONT AXLE (Ref # 3)	41069-025	
PANEL ASY,FR BK,BUFF (Ref # 4)	41035-049-80	
PANEL-ASY,FR BRK BUFF (Ref # 4)	41035-076-80	
BOLT 6X22 (Ref # 5)	112B0622	
WASHER PLAIN 6MM (Ref # 6)	410B0600	
LEVER,FRNT BRAKE CAM (Ref # 7)	41053-020	
INDICATOR,FR BRK PNL (Ref # 8)	41085-002	
"O" RING,11MM (Ref # 9)	92055-004	
CAM SHAFT,FRONT BRAKE (Ref # 10)	41050-012	
SHOE,BRAKE (Ref # 11)	41048-015	
SPRING,BRAKE SHOE (Ref # 12)	92081-1766	
SPRING,BRAKE SHOE (Ref # 13)	92081-1550	
SPRING,BRAKE SHOE (Ref # 13)	92081-1550	
DRUM-ASSY,FR BRK,BUFF (Ref # 14)	41034-037-80	
OIL SEAL,FR BK DRUM (Ref # 15)	92050-059	
CIRCLIP.37MM (Ref # 16)	481J3700	
BEARING BALL #6301 (Ref # 17)	601B6301	
SPACER,FR HUB BEARING (Ref # 18)	41039-025	
BEARING BALL #6201 (Ref # 19)	601B6201	
OIL SEAL (Ref # 20)	654A193208	