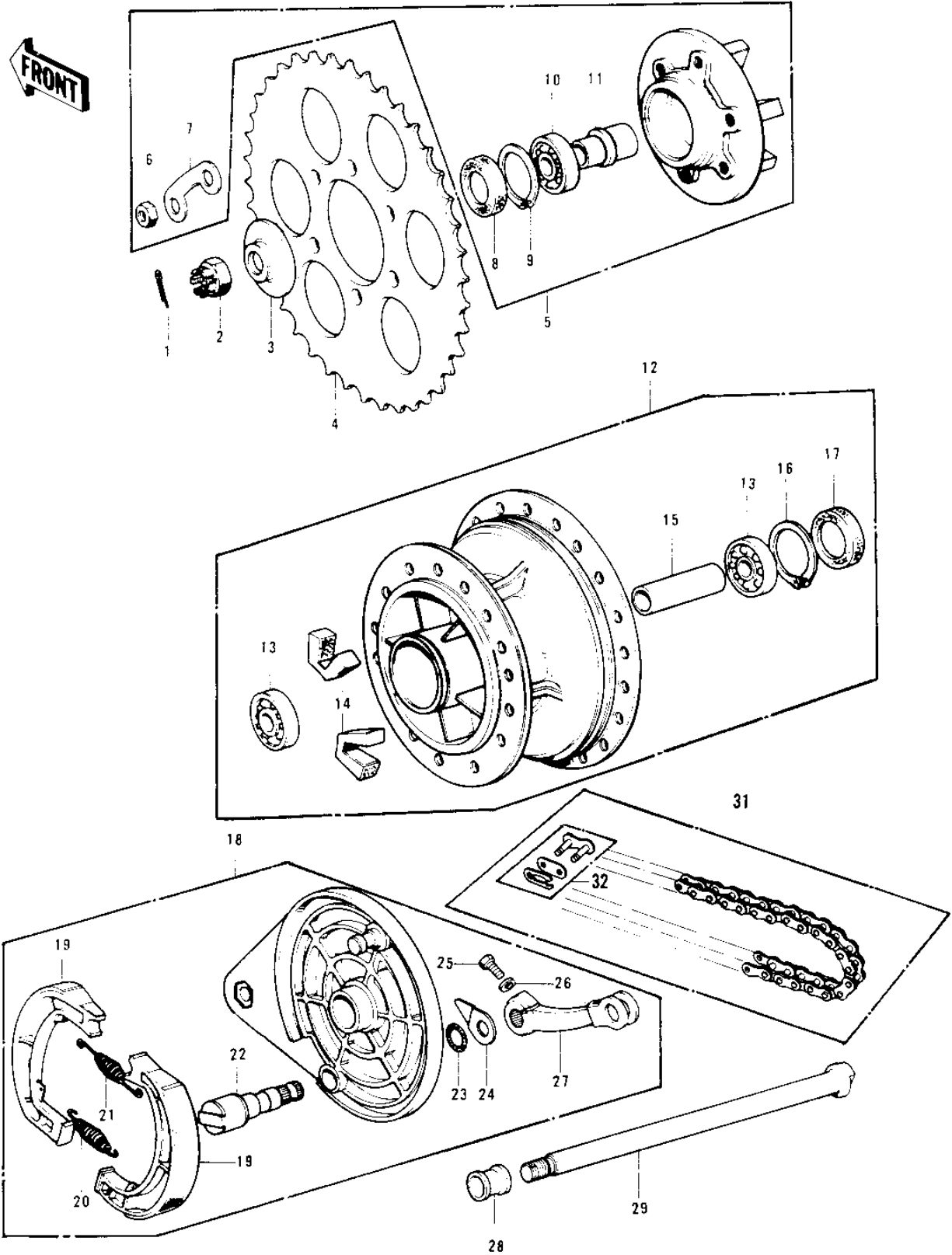


1978 KD125-A4 PARTS DIAGRAM

REAR HUB/BRAKE/CHAIN



1978 KD125-A4 PARTS LIST

REAR HUB/BRAKE/CHAIN

ITEM NAME	PART NUMBER	QUANTITY
PIN-COTTER,4.0X35 (Ref # 1)	550D4035	
NUT CASTLE 14MM (Ref # 2)	92103-006	
COLLAR,REAR AXLE,L.H (Ref # 3)	42032-048	
REAR SPROCKET.50T (Ref # 4)	42041-146	
REAR SPROCKET 47T (Ref # 4)	42041-136	
REAR SPROCKET,56T (Ref # 4)	42041-149	
REAR SPROCKET,54T (Ref # 4)	42041-147	
REAR SPROCKET,58T (Ref # 4)	42041-148	
COUPLING ASSY,RR HUB (Ref # 5)	42008-031	
COUPLING ASSY,RR HUB (Ref # 5)	42008-031	
NUT,8MM (Ref # 6)	311B0800	
WASHER,SPROCKET LOCK (Ref # 7)	92088-019	
OIL SEAL,RR HUB BRNG (Ref # 8)	92050-060	
CIRCLIP,42MM (Ref # 9)	92033-1041	
BEARING BALL #6004 (Ref # 10)	601B6004	
SLEEVE,RR HUB COUPLNG (Ref # 11)	42036-018	
DRUM ASY,RR BRK,BUFF (Ref # 12)	42005-046-80	
BEARING BALL #6202 (Ref # 13)	601B6202	
DAMPER,REAR HUB SHOCK (Ref # 14)	42014-023	
SPACER,RR HUB BEARING (Ref # 15)	42010-029	
CIRCLIP,35MM (Ref # 16)	481J3500	
OIL SEAL,TCY22358 (Ref # 17)	654A223508	
PANEL ASY,RR BK,BUFF (Ref # 18)	42006-044-80	
PANEL-ASY,RR BRK,BUFF (Ref # 18)	42006-072-80	
SHOE,BRAKE (Ref # 19)	42019-010	
SPRING,BRAKE SHOE (Ref # 20)	92081-1550	
SPRING,BRAKE SHOE (Ref # 21)	92081-1766	
CAM SHAFT,REAR BRAKE (Ref # 22)	42026-025	
"O" RING,11MM (Ref # 23)	92055-004	

1978 KD125-A4 PARTS LIST

REAR HUB/BRAKE/CHAIN

ITEM NAME	PART NUMBER	QUANTITY
INDICATOR,FR BRK PNL (Ref # 24)	41085-002	
BOLT 6X22 (Ref # 25)	112B0622	
WASHER PLAIN 6MM (Ref # 26)	410B0600	
LEVER,REAR BRAKE CAM (Ref # 27)	42029-030	
COLLAR,REAR AXLE,R.H (Ref # 28)	42032-047	
AXLE,REAR (Ref # 29)	42031-046	
STUD,8X17 (Ref # 30)	92004-1015	
DR CHAIN 428X118H (Ref # 31)	92057-030	
JOINT-CHAIN (Ref # 32)	92058-1015	