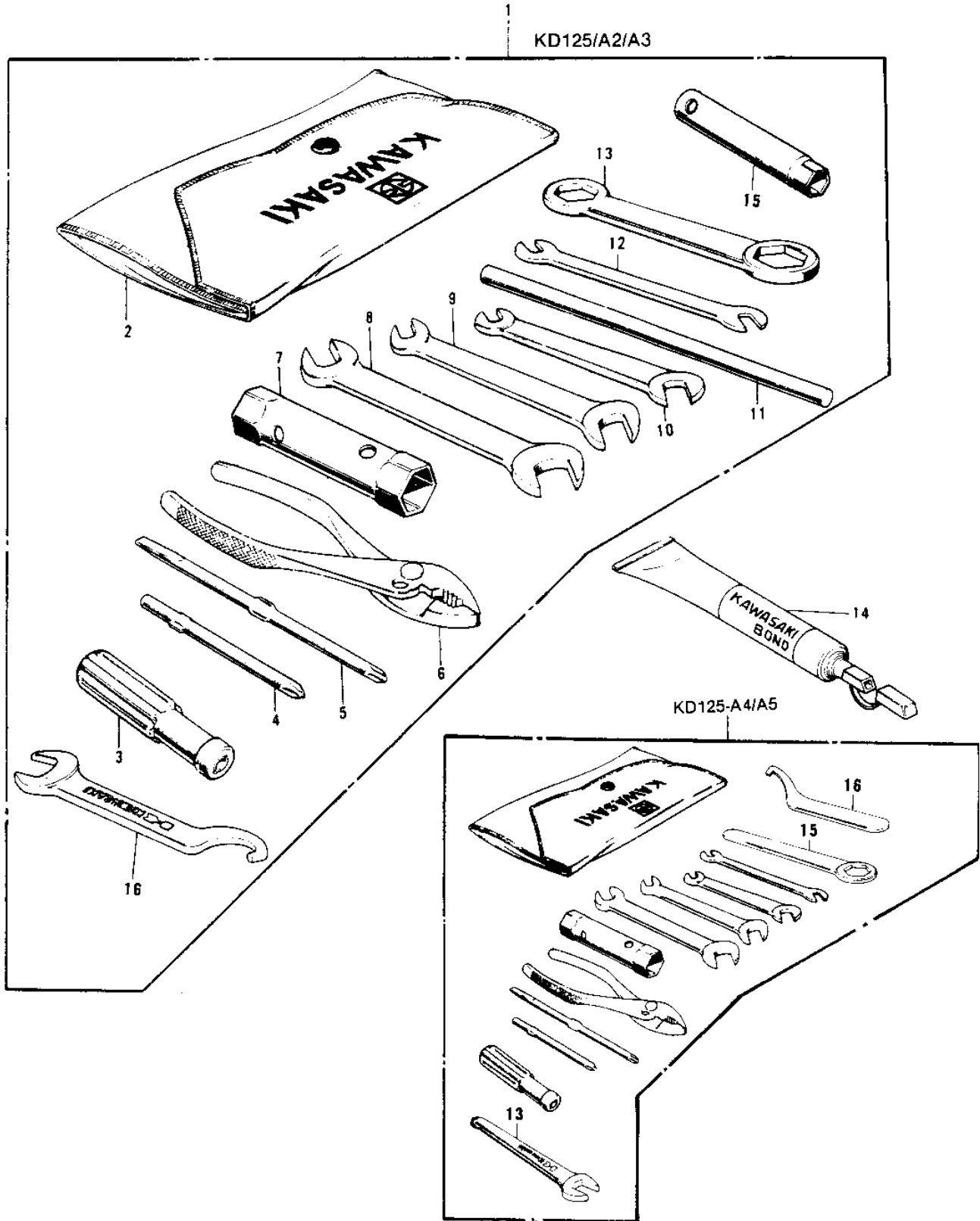


1977 KD125-A3 PARTS DIAGRAM

OWNER TOOLS



1977 KD125-A3 PARTS LIST

OWNER TOOLS

ITEM NAME	PART NUMBER	QUANTITY
56007-048 (Canada) (Ref # 1)	56007-041	
56007-1001 (Canada) (Ref # 1)	56007-056	
TOOL KIT (Canada) (Ref # 1)	56007-1001	
BAG,TOOL (Ref # 2)	56008-008	
92106-1001 (Canada) (Ref # 3)	92106-002	
SCREW DRIVER #3 PHLIP (Ref # 4)	92107-005	
TOOL-DRIVER (Ref # 5)	92107-1052	
92112-003 (Canada) (Ref # 6)	92112-005	
WRENCH,BOX,17X21 (Ref # 7)	92110-012	
TOOL-WRENCH,OPEN END, (Ref # 8)	92110-1153	
WRENCH,OPEN END,12X13 (Ref # 9)	92126-002	
WRENCH,OPEN,8X10 (Ref # 10)	92126-001	
BAR,SPARK PLUG WRENCH (Ref # 11)	92111-005	
92111-005 (Canada) (Ref # 11)	92111-007	
TIGHTENER,SPOKE (Ref # 12)	92108-011	
92110-1022 (Canada) (Ref # 13)	92108-009	
92110-1150 (Canada) (Ref # 13)	92110-1003	
LIQUID GASKET (Ref # 14)	92104-002	
WRENCH BOX 10MM (Ref # 15)	92110-007	
WRENCH,OPEN END,19M/M (Ref # 15)	92110-1004	
WRENCH,HOOK,19M/M (Ref # 16)	92126-013	
92110-1035 (Canada) (Ref # 16)	92110-1006	