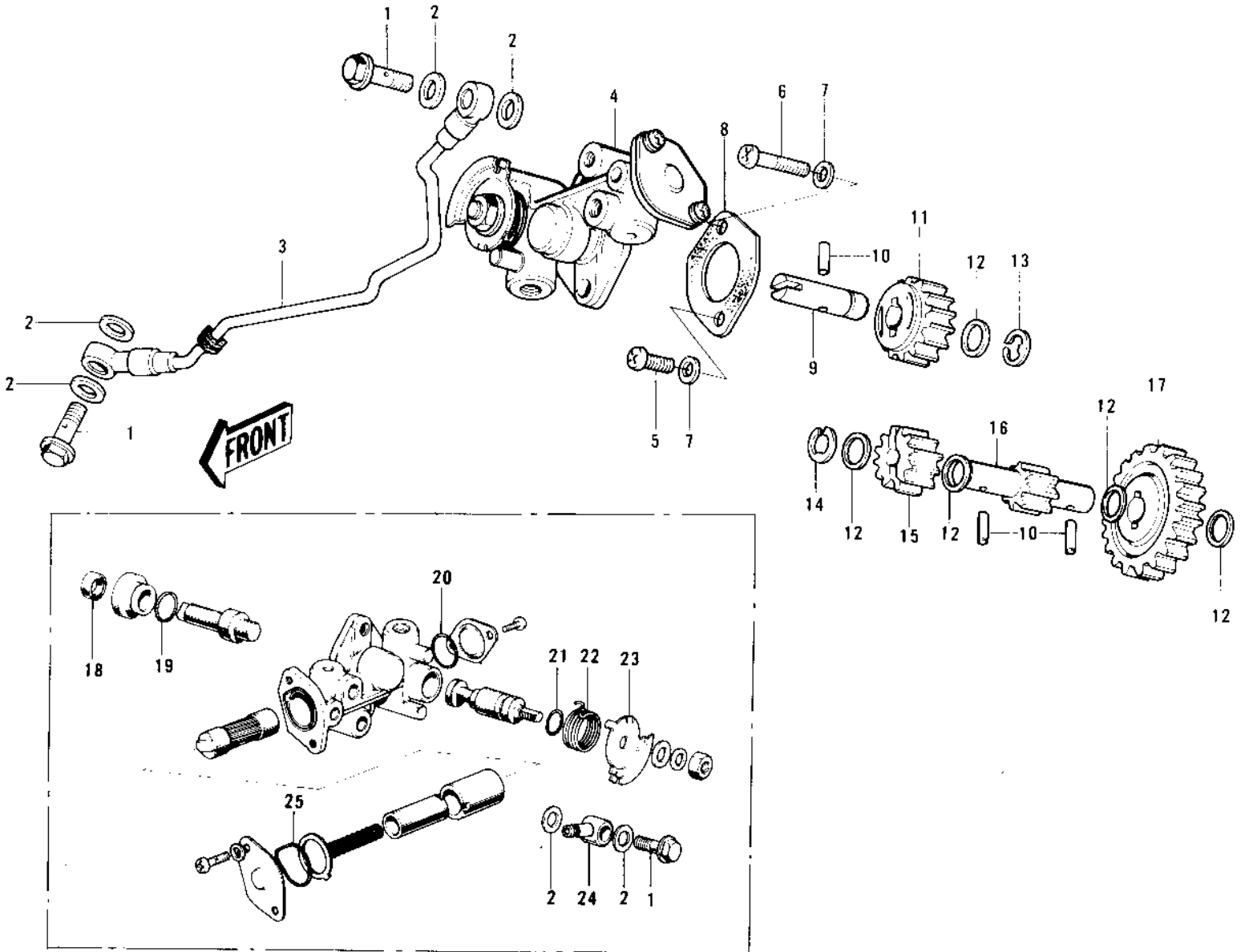


1975 KS125-A PARTS DIAGRAM

OIL PUMP (74-75)



1975 KS125-A PARTS LIST

OIL PUMP ('74-'75)

ITEM NAME	PART NUMBER	QUANTITY
WASHER OIL PUMP BANJO (Ref # 2)	92022-077	6
PIPE,OIL (Ref # 3)	16134-022	1
OIL PUMP ASSY (Ref # 4)	16082-069	1
OIL PUMP ASSY (Ref # 4)	16082-069	1
SCREW-PAN-CROS (Ref # 5)	220B0514	1
SCREW PAN CROSS,5X28 (Ref # 6)	220B0528	1
WASHER OIL PUMP (Ref # 7)	92022-037	2
GASKET,OIL PUMP (Ref # 8)	11060-1160	1
SHAFT,OIL PUMP GEAR (Ref # 9)	16086-003	1
PIN,DOWEL (Ref # 10)	92042-035	3
GEAR,OIL PUMP (Ref # 11)	16085-021	1
WASHER,THRUST (Ref # 12)	92026-095	5
CIRCLIP 7MM (Ref # 13)	482J7000	1
CIRCLIP 6MM (Ref # 14)	482J6000	1
GEAR,OIL PUMP (Ref # 15)	16085-020	1
PINION,TACHOMETER (Ref # 16)	13224-010	1
GEAR,OIL PUMP (Ref # 17)	16085-022	1
OIL SEAL OIL PUMP SHT (Ref # 18)	16091-001	1
"0" RING,OIL PUMP SHT (Ref # 19)	16090-002	1
"0" RING,LOWER CAP (Ref # 20)	16090-003	1
SEAL-OIL,CAMSHAFT,"X" (Ref # 21)	92049-1294	1
SPRING,OIL PUMP LEVER (Ref # 22)	16093-007	1
LEVER,OIL PUMP CABLE (Ref # 23)	16096-014	1
CONNECTOR BANJO (Ref # 24)	92061-009	1
"0" RING,UPPER CAP (Ref # 25)	16088-002	1