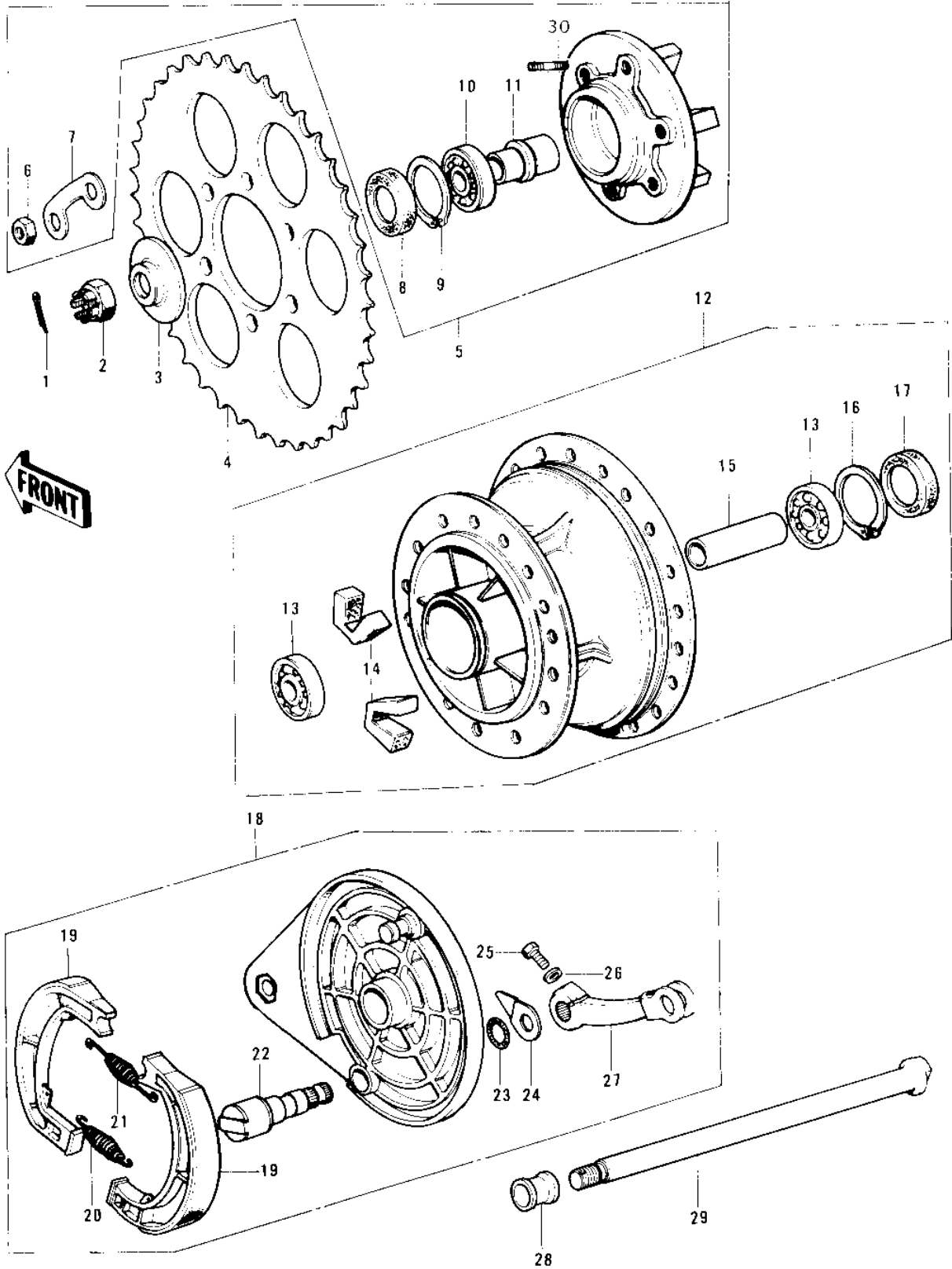


1975 KS125-A PARTS DIAGRAM

REAR HUB/BRAKE ('74-'75)



1975 KS125-A PARTS LIST

REAR HUB/BRAKE ('74-'75)

ITEM NAME	PART NUMBER	QUANTITY
PIN-COTTER,4.0X35 (Ref # 1)	550D4035	1
NUT CASTLE 14MM (Ref # 2)	92103-006	1
COLLAR,REAR AXLE,L.H (Ref # 3)	42032-048	1
REAR SPROCKET.50T (Ref # 4)	42041-146	1
COUPLING ASSY,RR HUB (Ref # 5)	42008-031	1
NUT,8MM (Ref # 6)	311B0800	6
WASHER,SPROCKET LOCK (Ref # 7)	92088-019	3
OIL SEAL,RR HUB BRNG (Ref # 8)	92050-060	1
CIRCLIP,42MM (Ref # 9)	92033-1041	1
BEARING BALL #6004 (Ref # 10)	601B6004	1
SLEEVE,RR HUB COUPLNG (Ref # 11)	42036-018	1
DRUM ASY,RR BK,BUFF (Ref # 12)	42005-038-80	1
BEARING BALL #6202 (Ref # 13)	601B6202	2
DAMPER,REAR HUB SHOCK (Ref # 14)	42014-023	6
SPACER,RR HUB BEARING (Ref # 15)	42010-029	1
CIRCLIP,35MM (Ref # 16)	481J3500	1
OIL SEAL,TCY22358 (Ref # 17)	654A223508	1
PANEL ASY,RR BK,BUFF (Ref # 18)	42006-044-80	1
SHOE,BRAKE (Ref # 19)	42019-010	2
SPRING,BRAKE SHOE (Ref # 20)	92081-1550	1
SPRING,BRAKE SHOE (Ref # 21)	92081-1766	1
CAM SHAFT,REAR BRAKE (Ref # 22)	42026-025	1
"0" RING,11MM (Ref # 23)	92055-004	1
INDICATOR,FR BRK PNL (Ref # 24)	41085-002	1
BOLT 6X22 (Ref # 25)	112B0622	1
WASHER PLAIN 6MM (Ref # 26)	410B0600	1
LEVER,REAR BRAKE CAM (Ref # 27)	42029-030	1
COLLAR,REAR AXLE,R.H (Ref # 28)	42032-047	1
AXLE,REAR (Ref # 29)	42031-046	1

1975 KS125-A PARTS LIST

REAR HUB/BRAKE ('74-'75)

ITEM NAME	PART NUMBER	QUANTITY
STUD,8X17 (Ref # 30)	92004-1015	1