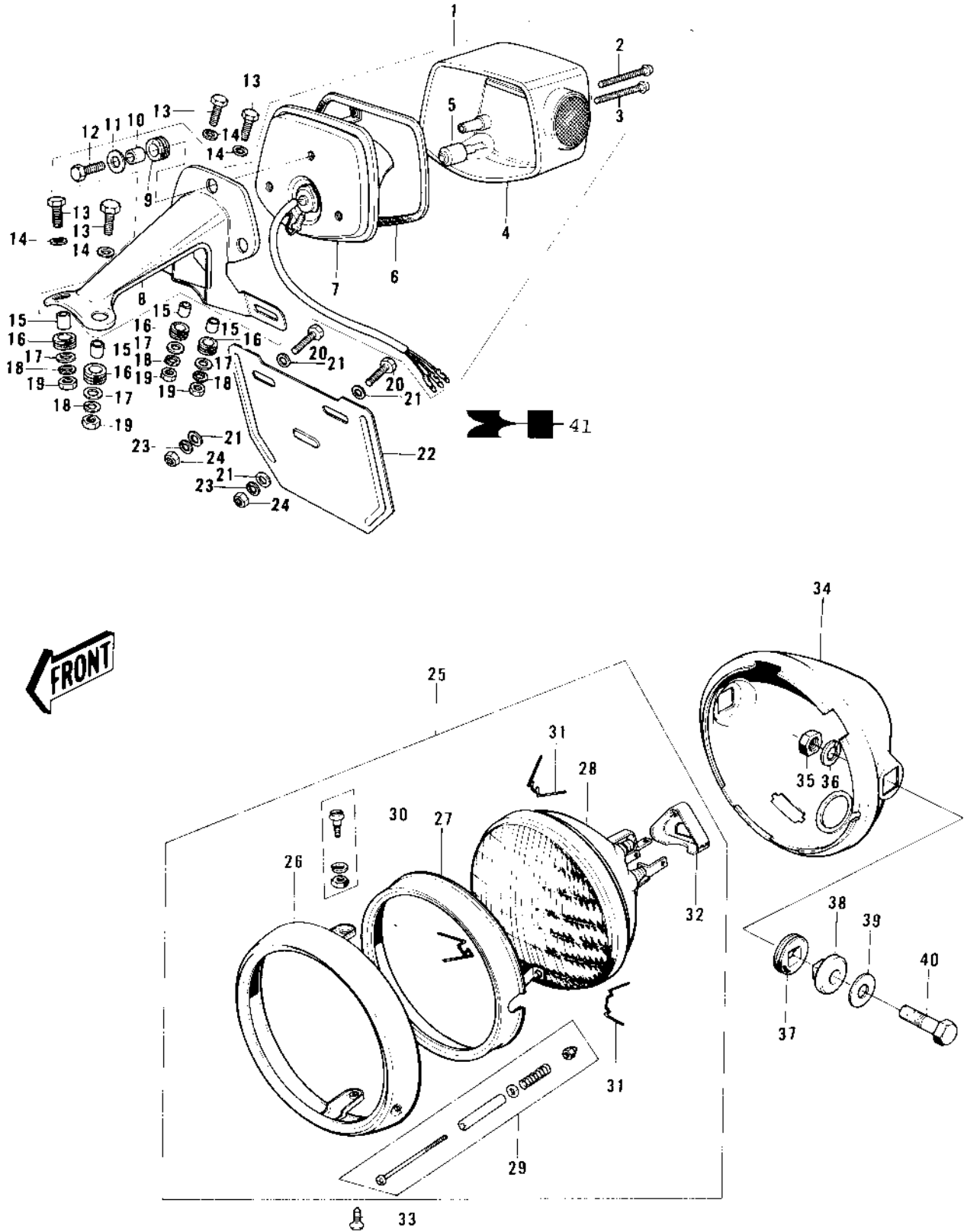


1975 KS125-A PARTS DIAGRAM

HEADLIGHT/TAILLIGHT ('74-'75)



1975 KS125-A PARTS LIST

HEADLIGHT/TAILLIGHT ('74-'75)

| ITEM NAME | PART NUMBER | QUANTITY |
|--------------------------------------|--------------|----------|
| LAMP ASSY,TAIL,BLACK (Ref # 1) | 23024-048-21 | 1 |
| SCREW (Ref # 2) | 220R0455 | 1 |
| SCREW PAN HEAD 4X50 (Ref # 3) | 220E0450 | 2 |
| LENS,TAIL LAMP (Ref # 4) | 23026-028 | 1 |
| BULB,60-32/3CP (Ref # 5) | 92069-074 | 1 |
| GASKET,TAIL LAMP LENS (Ref # 6) | 23028-019 | 1 |
| BODY COMP TAIL LAMP (Ref # 7) | 23027-1018 | 1 |
| BKT,TAIL LAMP,BLACK (Ref # 8) | 23036-037-21 | 1 |
| DAMPER RUBBER (Ref # 9) | 92075-076 | 3 |
| COLLAR,6.8X10X8.5 (Ref # 10) | 92027-129 | 3 |
| WASHER 6.5X20X1.6T (Ref # 11) | 92022-125 | 3 |
| UNAVAILABLE IN PRICE BOOK (Ref # 12) | 110B620 | 3 |
| BOLT-UPSET (Ref # 13) | 112G0630 | 4 |
| WASHER 6.5X22X1.6T (Ref # 14) | 92022-237 | 4 |
| COLLAR 6.8X10X10.5 (Ref # 15) | 92027-120 | 4 |
| DAMPER RUBBER,RR FENR (Ref # 16) | 92075-209 | 4 |
| WASHER 6.5X20X1.6T (Ref # 17) | 92022-125 | 4 |
| WASHER SPRING 6MM (Ref # 18) | 461F0600 | 4 |
| NUT 6MM (Ref # 19) | 311B0600 | 4 |
| BOLT-UPSET,6X20 (Ref # 20) | 112G0620 | 2 |
| WASHER PLAIN 6MM (Ref # 21) | 410B0600 | 1 |
| BRACKET,LICENSE PLATE (Ref # 22) | 11034-1117 | 1 |
| WASHER SPRING 6MM (Ref # 23) | 461F0600 | 2 |
| NUT 6MM (Ref # 24) | 311B0600 | 2 |
| LAMP UNIT,HEAD (Ref # 25) | 23003-021 | 1 |
| RIM,HEAD LAMP (Ref # 26) | 23006-042 | 1 |
| RETAINER,SEALED BEAM (Ref # 27) | 23072-002 | 1 |
| SEALED BEAM UNIT (Ref # 28) | 23007-055 | 1 |
| SCREW ASSY,FOCUS AJST (Ref # 29) | 23013-5001 | 1 |

1975 KS125-A PARTS LIST

HEADLIGHT/TAILLIGHT ('74-'75)

| ITEM NAME | PART NUMBER | QUANTITY |
|----------------------------------|--------------|----------|
| SCREW SET,LENS UNIT (Ref # 30) | 23013-007 | 1 |
| CLAMP,HEAD LAMP LENS (Ref # 31) | 23009-015 | 3 |
| COVER,HD LAMP SOCKET (Ref # 32) | 23081-001 | 3 |
| SCREW,PAN HEAD,5X14 (Ref # 33) | 23019-025 | 1 |
| BODY,HEAD LAMP,BLACK (Ref # 34) | 23005-044-21 | 1 |
| NUT,10MM (Ref # 35) | 314B1000 | 2 |
| WASHER SPRING 10MM (Ref # 36) | 461F1000 | 2 |
| DAMPER RUBBER (Ref # 37) | 23066-011 | 2 |
| COLLAR (Ref # 38) | 23052-005 | 2 |
| WASHER-PLAIN,10MM (Ref # 39) | 411D1000 | 2 |
| BOLT,HEX HEAD,10X30 (Ref # 40) | 92007-041 | 2 |
| EMBLEM,LICNSE PLT BKT (Ref # 41) | 56018-176 | 1 |